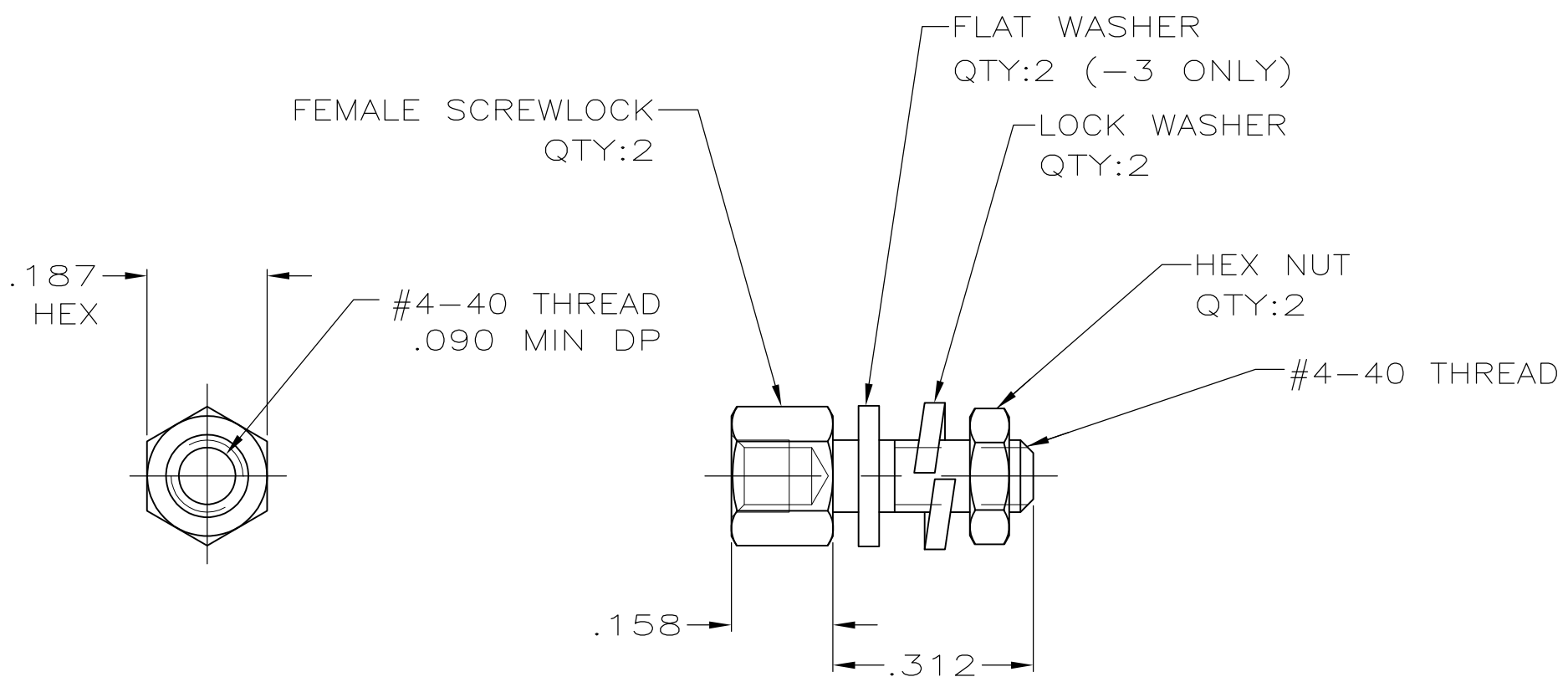


THIS DRAWING IS UNPUBLISHED. RELEASED FOR PUBLICATION  
 © COPYRIGHT - By - ALL RIGHTS RESERVED.

LOC	DIST	REVISIONS					
GP	00	P	LTR	DESCRIPTION	DATE	DWN	APVD
		P		REVISED PER ECO-11-004835	11MAR11	RK	HMR



- 1. PARTS PACKAGED UNASSEMBLED.
- 2. PARTS PACKAGED AS A UNIT KIT.
- 3 ZINC PLATING .000200-.000400 THICK, YELLOW CHROMATE COATING.

W/ FLAT WASHER	5748271-3
W/O FLAT WASHER	5748271-1
REMARKS	PART NUMBER

THIS DRAWING IS A CONTROLLED DOCUMENT.		DWN	S.WAITMAN	12JUL05	<b>TE Connectivity</b>						
DIMENSIONS: INCHES		CHK	C.ROHDE	12JUL05				NAME FEMALE SCREWLOCK KIT, SHORT HEAD, .090 PANEL, AMPLIMITE			
		APVD	M.WALMSLEY	12JUL05							PRODUCT SPEC APPLICATION SPEC
TOLERANCES UNLESS OTHERWISE SPECIFIED: 0 PLC ± - 1 PLC ± - 2 PLC ± - 3 PLC ± .005 4 PLC ± - ANGLES ± -		MATERIAL						SIZE	CAGE CODE	DRAWING NO	
STEEL		FINISH			A300779			C-5748271	SCALE	SHEET	REV
		3			CUSTOMER DRAWING			4:1	1 OF 1	P	