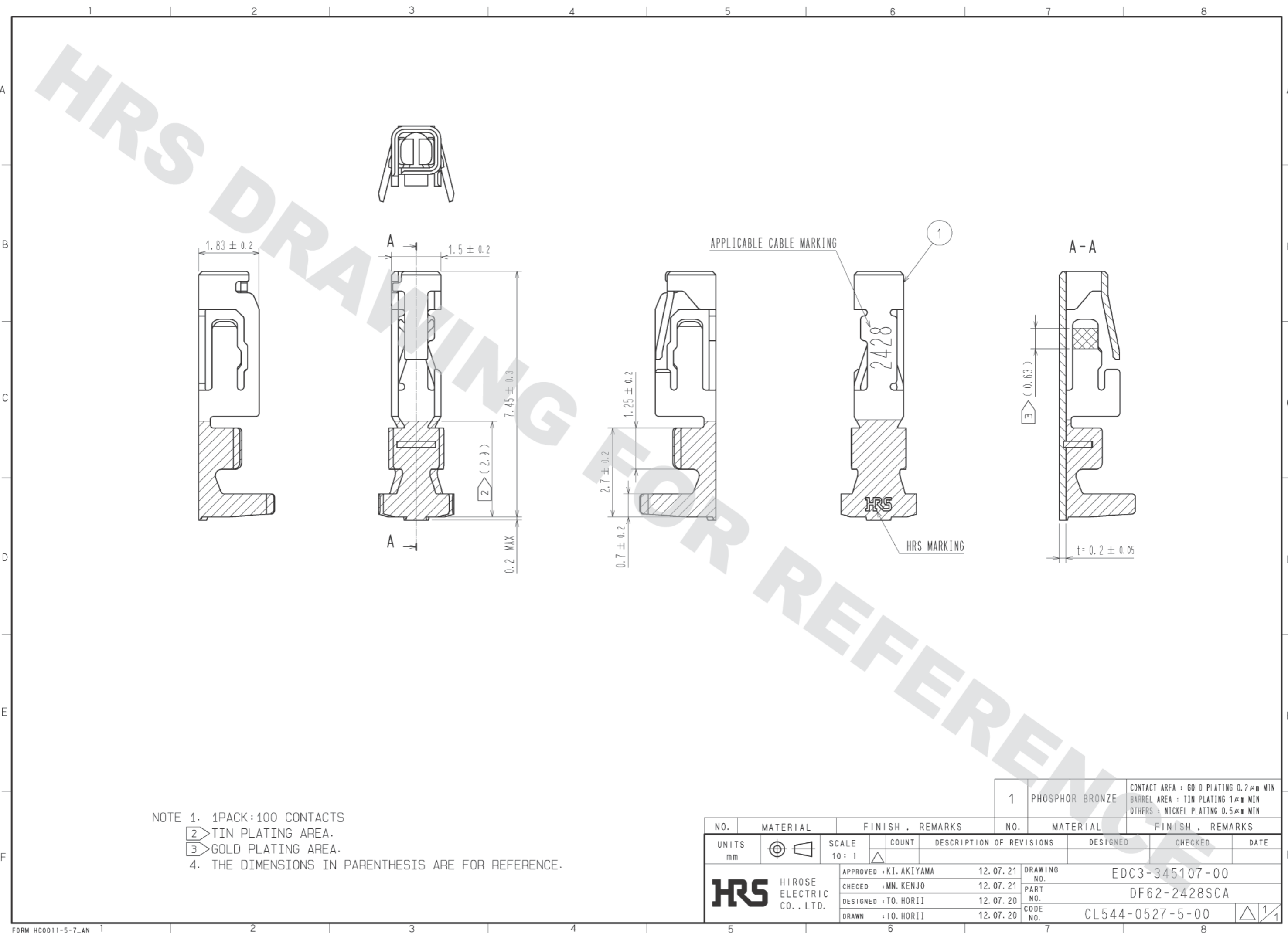


DRAWING FOR REFERENCE: This is subject to change without notice
05/31/2013



NOTE 1. 1PACK:100 CONTACTS
 2 TIN PLATING AREA.
 3 GOLD PLATING AREA.
 4. THE DIMENSIONS IN PARENTHESIS ARE FOR REFERENCE.

| NO. | MATERIAL | FINISH . REMARKS | NO. | MATERIAL | FINISH . REMARKS |
|-----|-----------------|------------------|-----|----------|---|
| 1 | PHOSPHOR BRONZE | | | | CONTACT AREA : GOLD PLATING 0.2μm MIN BARREL AREA : TIN PLATING 1μm MIN OTHERS : NICKEL PLATING 0.5μm MIN |

| UNITS | SCALE | COUNT | DESCRIPTION OF REVISIONS | DESIGNED | CHECKED | DATE |
|--------------------------------------|-------|-------|--------------------------|----------|----------------------------|------|
| mm | 10:1 | △ | | | | |
| HRS HIROSE ELECTRIC CO., LTD. | | | APPROVED : KI. AKIYAMA | 12.07.21 | DRAWING NO. EDC3-345107-00 | |
| | | | CHECED : MN. KENJO | 12.07.21 | PART NO. DF62-2428SCA | |
| | | | DESIGNED : TO. HORII | 12.07.20 | CODE NO. CL544-0527-5-00 | |
| | | | DRAWN : TO. HORII | 12.07.20 | △ 1/1 | |