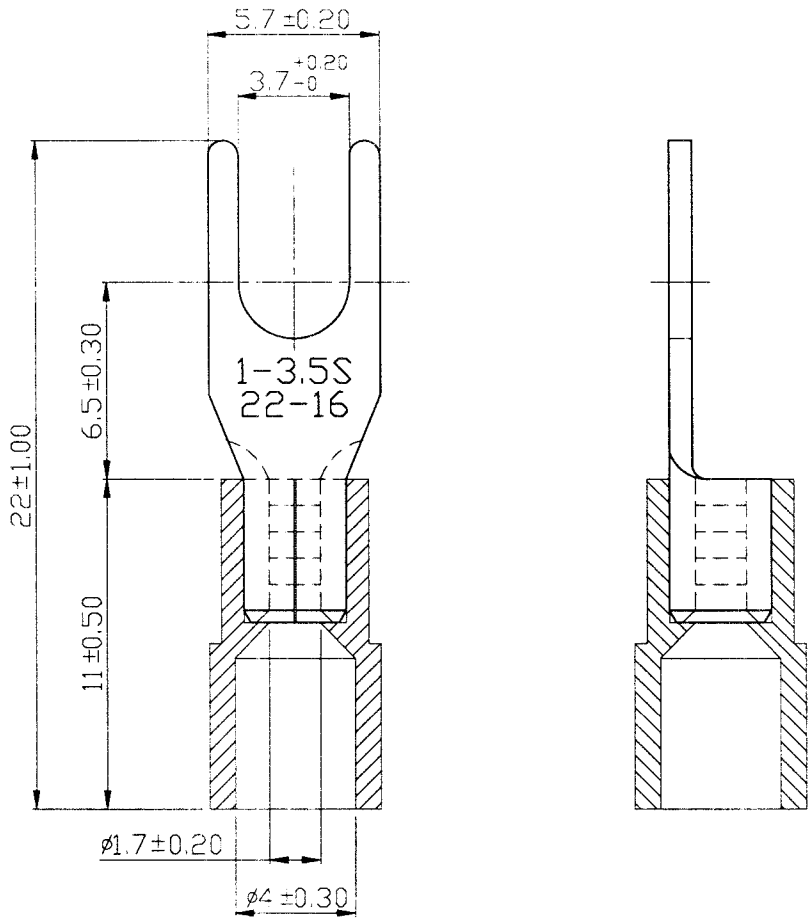




REV	DESCRIPTION	DATE
-----	-------------	------



NOTE :

1. MAXIMUM ELECTRIC CURRENT :

A.W.G.	22	20	18	16
AMP.	9	12	17	18
2. MAXIMUM ELECTRICAL RATING : 75°C 600 VOLTS MAX.
3. INSULATION MATERIAL : VINYL
4. INSULATION COLOR : RED
5. TERMINAL MATERIAL : COPPER
6. WIRE RANGE : 22-16 A.W.G. (0.5-1.5 mm²)
7. TERMINAL SURFACE TREATMENT : TIN PLATED
8. TERMINAL THICKNESS : 0.75 mm

Tolerance Unless Otherwise Specified	
0 > 6 mm ± 0.20	ANGLE
6 > 18 mm ± 0.30	° REF ±
18 > 30 mm ± 0.40	° ±
30 > 75 mm ± 0.50	° ±

NAME	VINYL-INSULATED (MOLDED) SPADE TERMINALS			UNIT	
PART NO.	SVYS1-3.7@	MATERIAL	-----	APPROVE	
NUMBER	KA-9611-C	SCALE	SHEET PAGE	CHECKED	
DATE	2007/01/16	4/1	1-0 2DF2	DRAWN	張馨尹