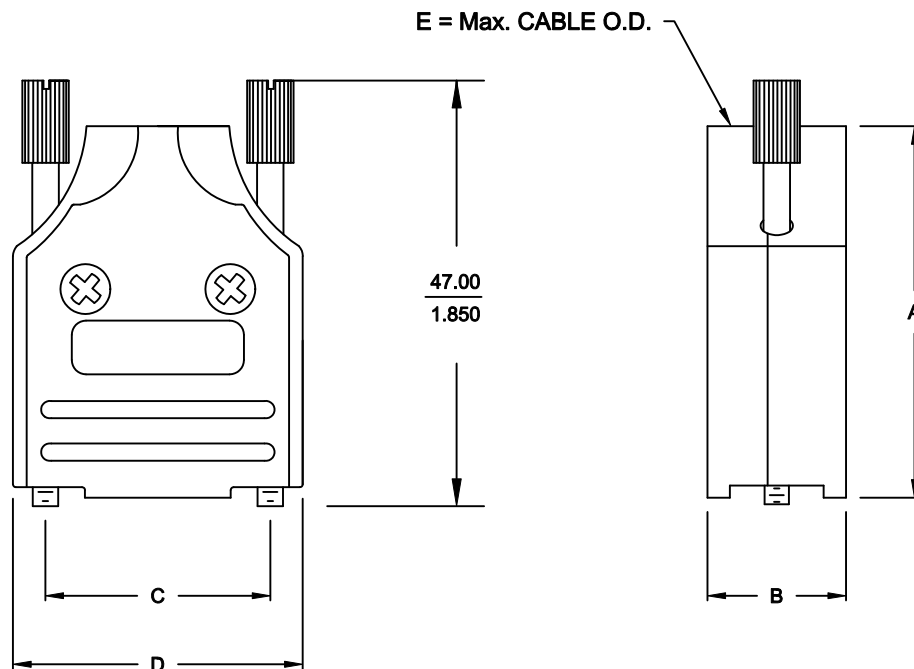


BACKSHELL KIT INCLUDES:

- (2) BACKSHELL HALVES
- (2) STRAIN RELIEF CLAMPS
- (2) STRAIN RELIEF SCREWS
- (2) MOUNTING SCREWS
- (2) THUMBSCREWS
- (1) SET METALIZED PLASTIC INSERTS - VARIOUS SIZES,
6.2mm (0.244"), 8.2mm (0.323"), 10.2mm (0.402")

| DIMENSIONS (mm/in) | | | | | |
|--------------------|-----------------------------|-----------------------------|-----------------------------|-----------------------------|-------|
| SIZE: | A ± 0.25 ± 0.010 | B ± 0.25 ± 0.010 | C ± 0.13 ± 0.005 | D ± 0.25 ± 0.010 | E |
| 09 | 41.30 | 15.39 | 24.99 | 32.21 | 13.00 |
| | 1.626 | 0.606 | 0.984 | 1.268 | 0.512 |
| 15 | 43.31 | 15.39 | 33.32 | 40.59 | 13.00 |
| | 1.705 | 0.606 | 1.312 | 1.598 | 0.512 |
| 25 | 49.50 | 15.39 | 47.04 | 54.51 | 13.00 |
| | 1.949 | 0.606 | 1.852 | 2.146 | 0.512 |
| 37 | 54.31 | 15.39 | 63.50 | 70.69 | 13.00 |
| | 2.138 | 0.606 | 2.500 | 2.783 | 0.512 |



ORDERING INFORMATION:

| SIZE: | P/N - KITTED: | PRODUCT CODE: |
|--------|---------------|---------------|
| 9-WAY | 6560-0136-01 | MHDM-09-K |
| 15-WAY | 6560-0136-02 | MHDM-15-K |
| 25-WAY | 6560-0136-03 | MHDM-25-K |
| 37-WAY | 6560-0136-04 | MHDM-37-K |

| SIZE: | P/N - BULK: | PRODUCT CODE: |
|--------|--------------|---------------|
| 9-WAY | 6561-0136-01 | MHDM-09 |
| 15-WAY | 6561-0136-02 | MHDM-15 |
| 25-WAY | 6561-0136-03 | MHDM-25 |
| 37-WAY | 6561-0136-04 | MHDM-37 |

SPECIFICATION:

- BACKSHELL: MATERIAL: DIE CAST ZINC NICKEL PLATED
- COMPRESSION INSERT: ABS - UL RECOGNIZED
- 4-40 THUMBSCREWS: STEEL - Zn PLATED
- HOUSING SCREWS: STEEL - Zn PLATED
- STRAIN RELIEF CLAMP: STEEL - NICKEL PLATED
- STRAIN RELIEF SCREWS: STEEL - Zn PLATED
- OPERATING TEMP: -40°C TO +120°C

THESE DRAWINGS AND SPECIFICATIONS ARE THE PROPERTY OF MH CONNECTORS LTD. AND SHALL NOT BE REPRODUCED, COPIED OR USED AS THE BASIS FOR THE MANUFACTURE OR SALE OF APPARATUS WITHOUT WRITTEN PERMISSION.

| | |
|------------|----------|
| DRAWN | DATE |
| P. JENKINS | 03-14-12 |

| | |
|----------|----------|
| APPROVED | DATE |
| D. CROFT | 03-14-12 |

| | | | |
|-------|-------|----|------|
| SCALE | SHEET | OF | REV: |
| NTS | 1 | 1 | A |

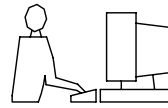
DRAWING No
MHDM SERIES

RoHS COMPLIANT

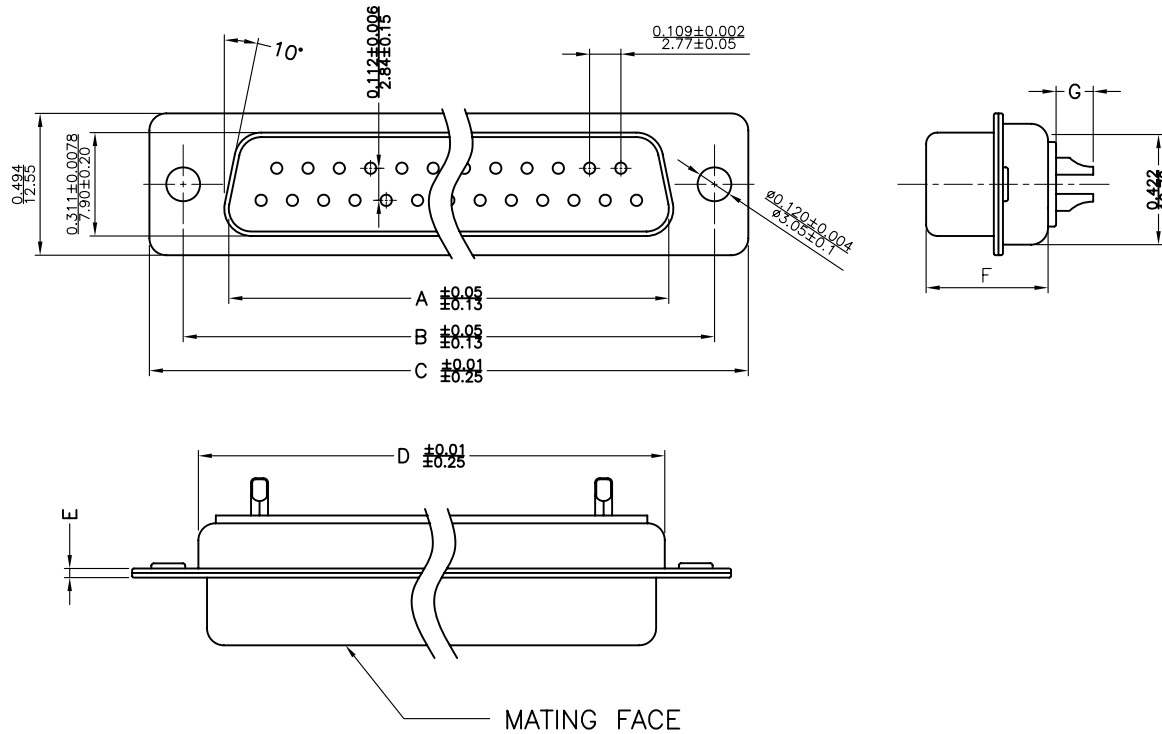


MH CONNECTORS LTD.

THIS IS A C.A.D. GENERATED DRAWING
DO NOT MAKE MANUAL REVISIONS TO MASTER.



* UNLESS OTHERWISE SPECIFIED TOLERANCES
ON DECIMAL IS: .XX ± 0.35
UNIT: MM



Material & Finish

Shell:
Steel
Nickel or Tin plated

Pin Contact:
Brass
Gold plated over nickel

Insulator:
PBT glass-fiber reinforced UL 94-V0

Number of contact:
9,15,25,37,50

Current rating: 5 amp

Dielectric strength:
1000V for one minute

Insulator resistance:
1000MΩ Min at 500V DC

Temperature:-55°C ~105°C

| ITEM NO | A | B | C | D | E | F | G |
|----------|--------------|--------------|--------------|--------------|-------------|-------------|-------------|
| MHDM9SS | 16.33(0.643) | 24.99(0.984) | 30.81(1.213) | 19.28(0.759) | 1.0(0.0394) | 10.8(0.425) | 2.30(0.091) |
| MHDM15SS | 24.66(0.971) | 33.32(1.312) | 39.14(1.541) | 27.51(1.083) | 1.0(0.0394) | 10.8(0.425) | 2.30(0.091) |
| MHDM25SS | 38.38(1.511) | 47.04(1.852) | 53.04(2.088) | 41.30(1.625) | 1.0(0.0394) | 10.8(0.425) | 2.30(0.091) |
| MHDM37SS | 54.84(2.159) | 63.50(2.500) | 69.32(2.729) | 57.71(2.272) | 1.0(0.0394) | 10.8(0.425) | 2.30(0.091) |
| MHDM50SS | 52.34(2.060) | 61.11(2.406) | 66.92(2.634) | 55.30(2.177) | 1.0(0.0394) | 10.8(0.425) | 2.30(0.091) |

THESE DRAWINGS AND SPECIFICATIONS ARE THE PROPERTY OF MH CONNECTORS LTD. AND SHALL NOT BE REPRODUCED, COPIED OR USED AS THE BASIS FOR THE MANUFACTURE OR SALE OF APPARATUS WITHOUT WRITTEN PERMISSION.

| | |
|-----------------|------------------|
| DRAWN Johnny | DATE 07-24-12 |
| APPROVED | DATE |



THIS SERIES FULLY CONFORMS TO THE EUROPEAN UNION DIRECTIVES 2002/95/EC AND 2002/96/EC FOR RoHS COMPLIANCY.



MH CONNECTORS LTD.

| | | |
|-----------------------|--------------------|-------------|
| SCALE 1:1 | SHEET OF 1 OF 1 | REV: 1.0 |
| DRAWING No MHDM SS | | |