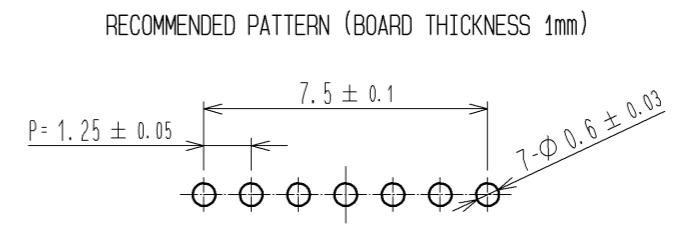
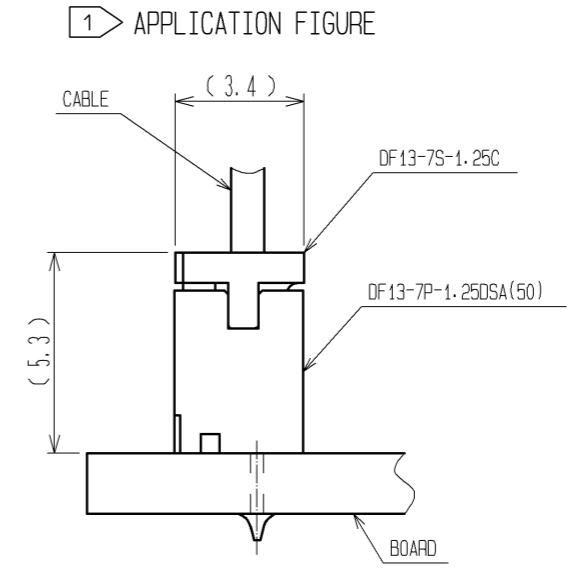
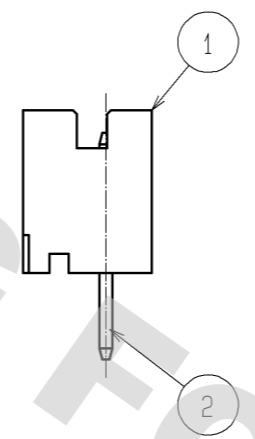
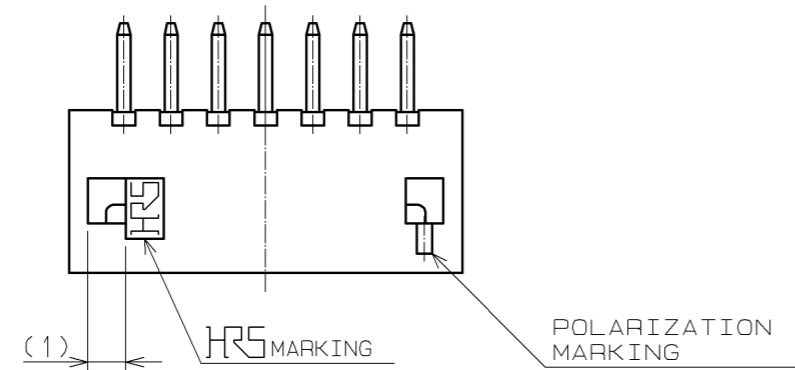
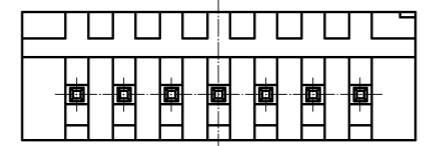
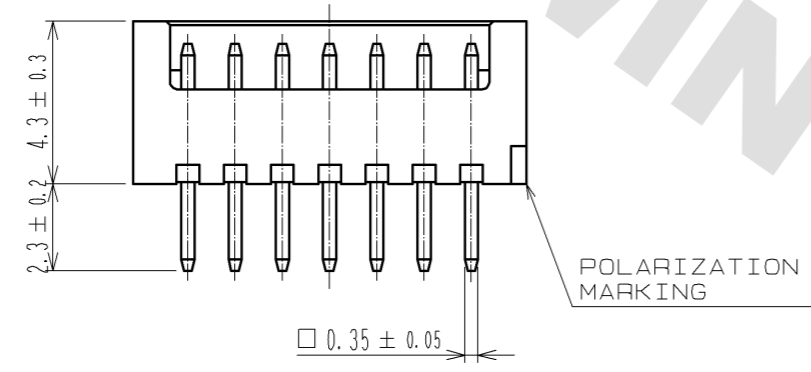
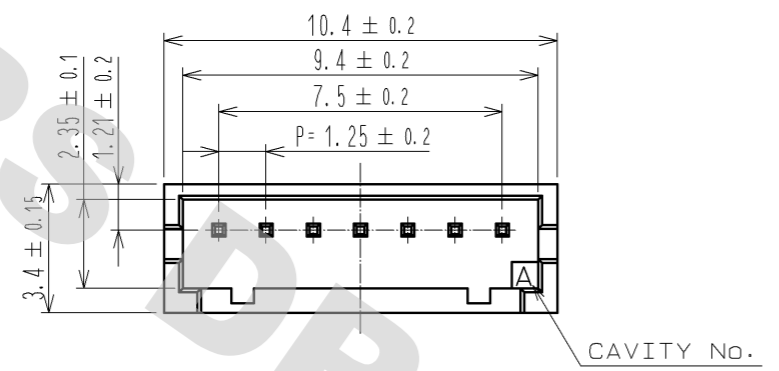


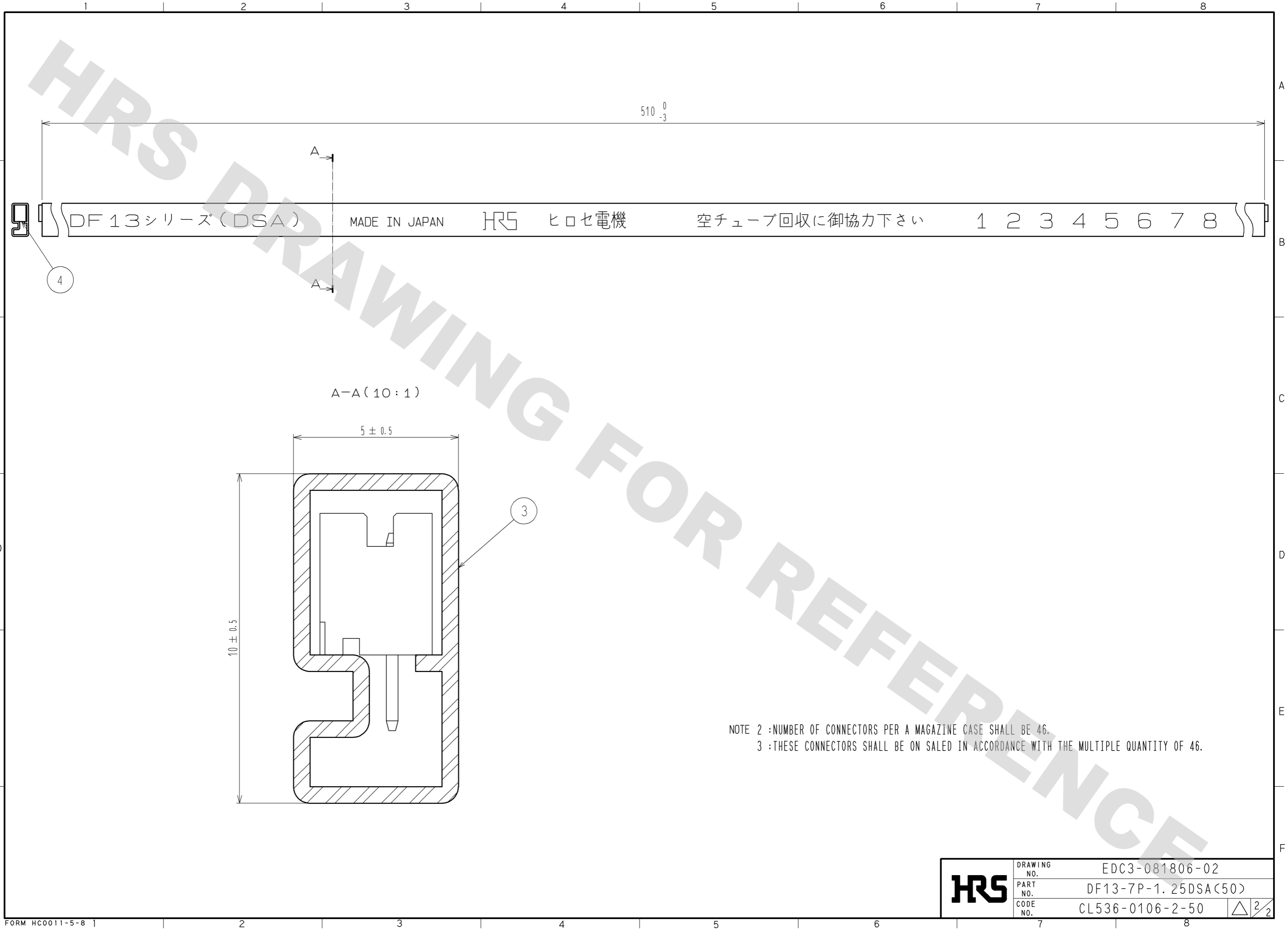
DRAWING FOR REFERENCE: This is subject to change without notice
08/11/2012



NOTE 1 WHEN THIS CONNECTOR MATES WITH DF13-7S-1.25C, THE MATING LENGTH IS 5.3mm.

| | | | | | | | | |
|--------------------------------------|-----------|--|------------|---------------------------|---------------------------------|---------------------|---------|------|
| 2 | BRASS | SURFACE:GOLD PLATED 0.2µm min UNDER PLATING:NICKEL PLATED 0.5µm min | 4 | STYRENIC-BASED ELASTOMERS | STOPPER, GREEN | | | |
| 1 | POLYAMIDE | BEIGE (NATURAL), UL94V-0 | 3 | PS | ELECTROSTATIC PROTECTION, CLEAR | | | |
| NO. | MATERIAL | FINISH, REMARKS | NO. | MATERIAL | FINISH, REMARKS | | | |
| UNITS mm | | SCALE 5 : 1 | COUNT △ | DESCRIPTION OF REVISIONS | | DESIGNED | CHECKED | DATE |
| HRS HIROSE ELECTRIC CO., LTD. | | APPROVED : TS. SAKATA | 08.09.01 | DRAWING NO. | | EDC3-081806-02 | | |
| | | CHECKED : TS. KUMAZAWA | 08.08.29 | PART NO. | | DF13-7P-1.25DSA(50) | | |
| | | DESIGNED : SN. KOBAYASHI | 08.08.29 | CODE NO. | | CL536-0106-2-50 | | |
| | | DRAWN : SN. KOBAYASHI | 08.08.29 | | | △ 1/2 | | |

DRAWING FOR REFERENCE: This is subject to change without notice
08/11/2012



NOTE 2 : NUMBER OF CONNECTORS PER A MAGAZINE CASE SHALL BE 46.
3 : THESE CONNECTORS SHALL BE ON SALED IN ACCORDANCE WITH THE MULTIPLE QUANTITY OF 46.

| | | |
|------------|-------------|---------------------|
| HRS | DRAWING NO. | EDC3-081806-02 |
| | PART NO. | DF13-7P-1.25DSA(50) |
| | CODE NO. | CL536-0106-2-50 |
| | | △ 2/2 |