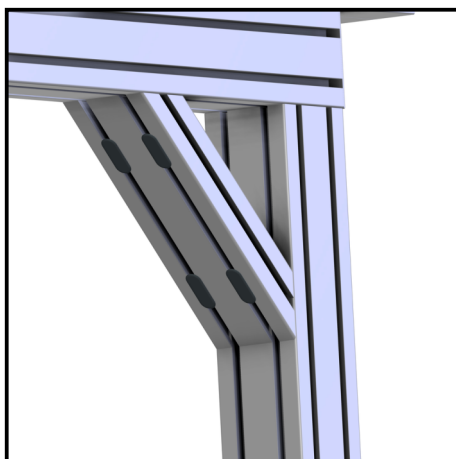
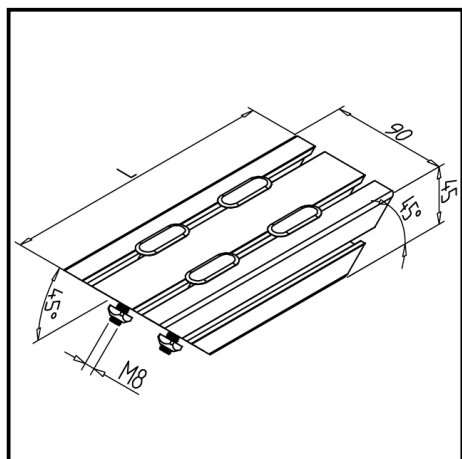


STRENGTHENING ELEMENT 90 SPECIAL DESIGN, LENGTH:

Article Nr. 21.1762/5

[See the product on the website](#) →



TECHN. DATA / ITEMS SUPPLIED

- Aluminium, anodized E6/EV1
- Profile 45 x 90, ready for use
- Mitre cut, one-sided or both sides, with recess(es) cut for fastening material
- Fastening kit
- **Please state dimension L and additional left and right angle (within range of 27° - 63°). Ideally with a drawing or sketch.**

APPLICATIONS

- Reinforcement of profiled superstructures according to the principle of truss construction

ASSEMBLY

- Screw on the profile groove of the frame construction with supplied hardware