

Product Datasheet

# 16mm Protection Cap

Switch 16mm Flip guard 180D Square/Round

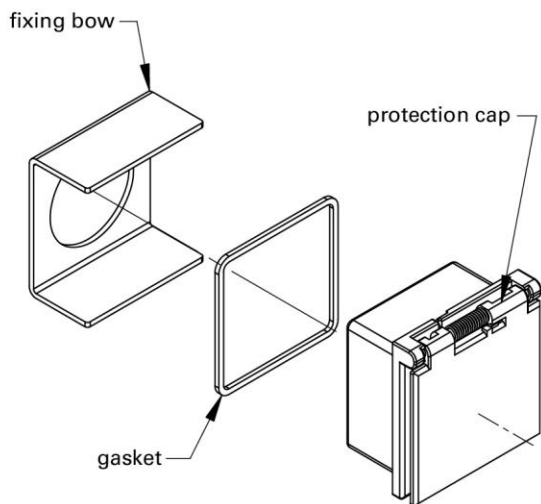
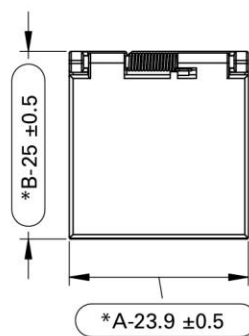
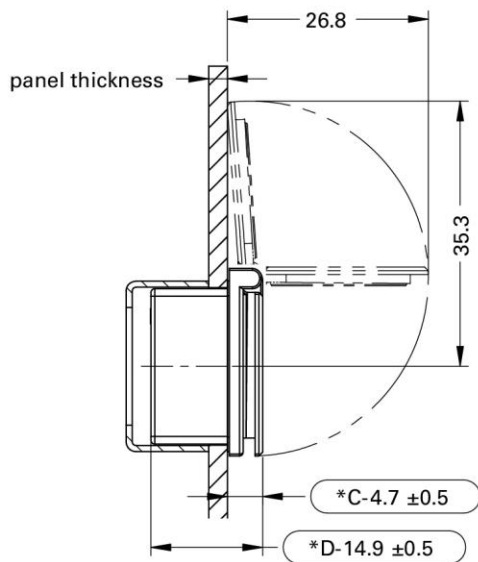


Product Specifications:

Material	cover	plastic
	base	plastic
	fixing bow	staninless steel
	gasket	rubber
Mounting hole	21x21 mm (flush mounted)	
Optics	transparent	
180° opening, spring return		

**16mm protection cap**

Square flush mounted (180°)



**Hole Dia**

