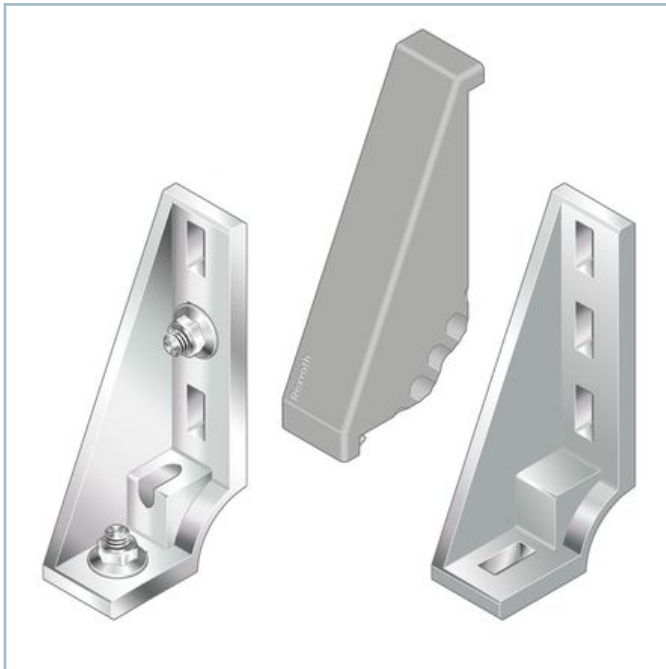
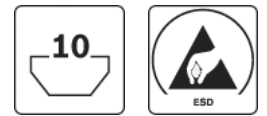
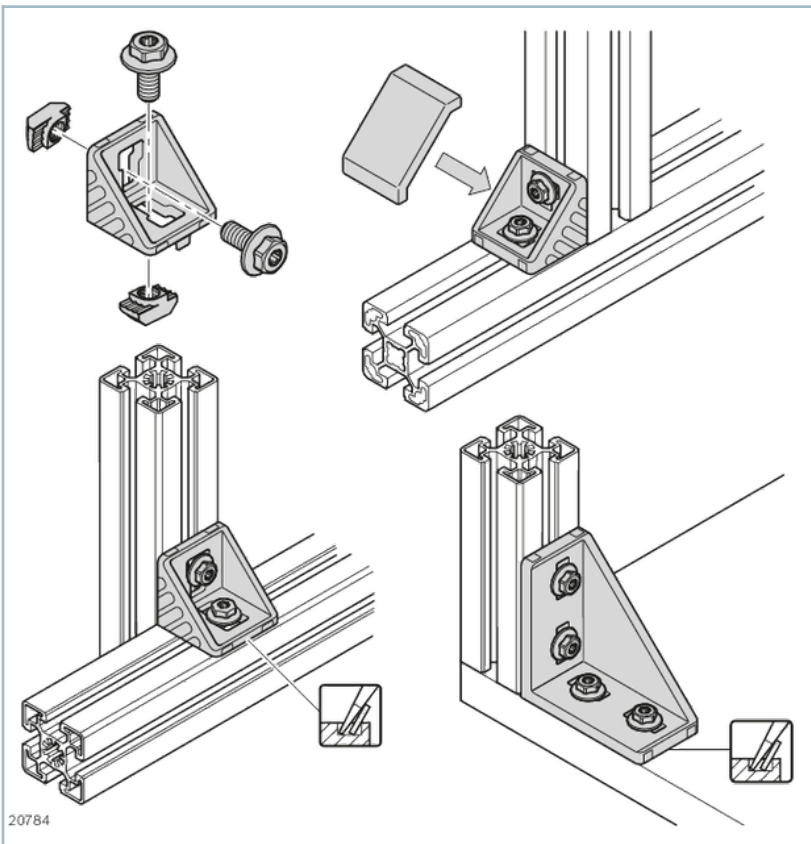
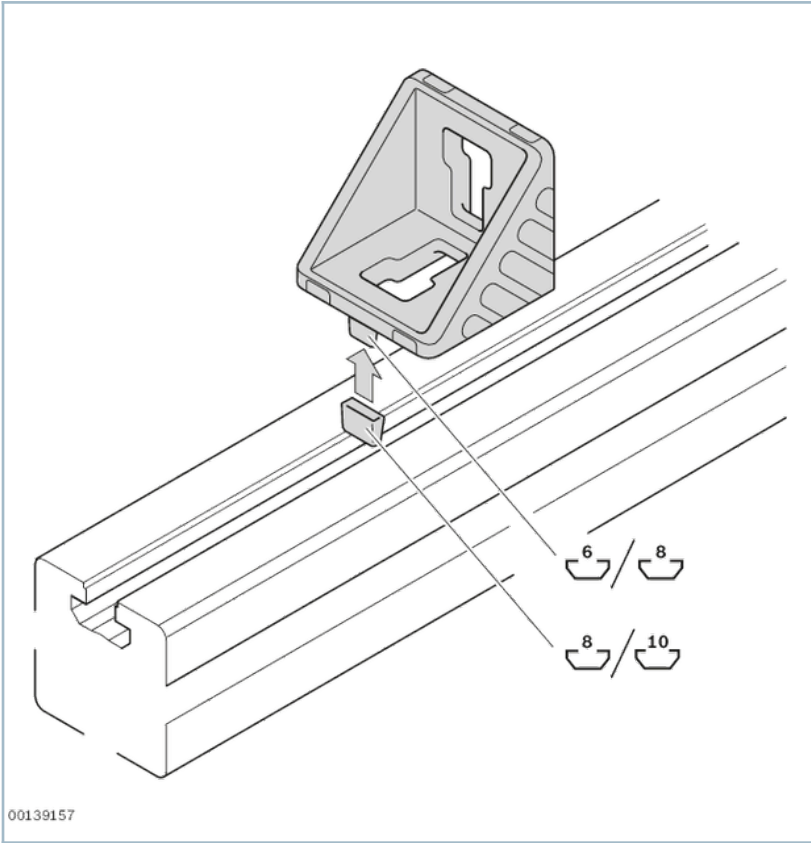


Bracket 40/160



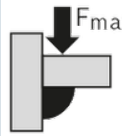
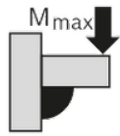
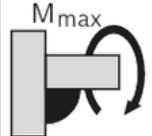



- Brackets with centering lugs for rapid, precise assembly with protection against turning
- Centering lugs can be easily broken off for assembly on plates or at right angles to the slot
- Version *designLINE* with special silver paint (RAL 9006) for an especially high-quality design
- Cover cap to protect from dirt, available in signal gray (RAL 7004) and black ESD (RAL 9005)
- Profile finishing: not required


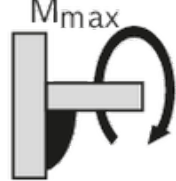
Product description



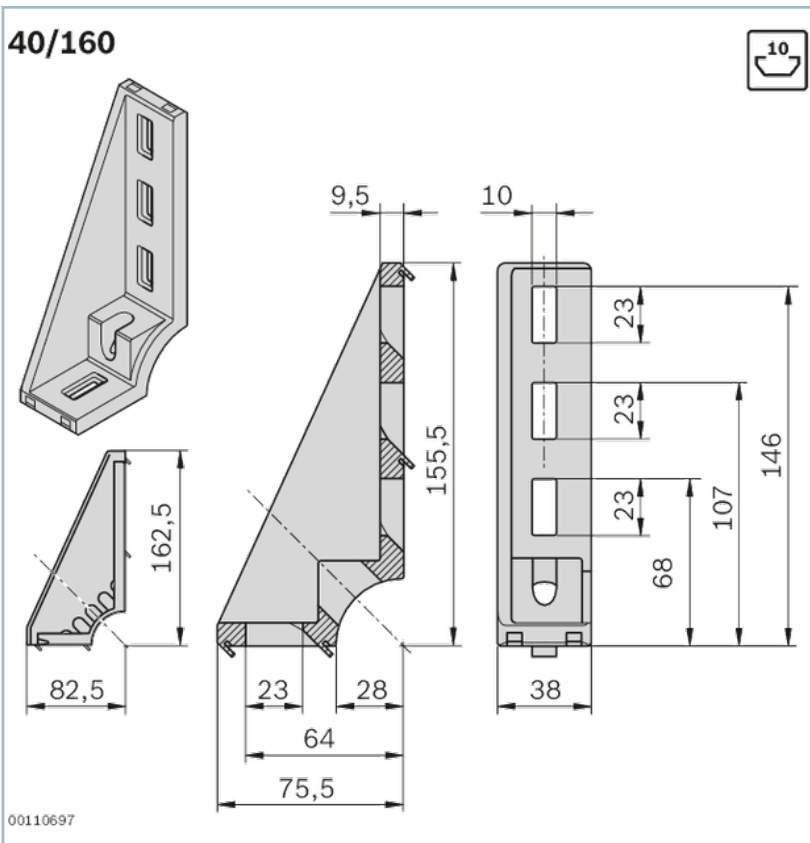
Connection elements, selection criteria

Technical data

| | Groove | ESD | Material entry |  |  |  |
|-----------------------|--------|---|---|---|---|---|
| | | | | F_{max} | M_{max} | M_{max} |
| | | | | N | Nm | Nm |
| Bracket | 10 |  | Bracket <i>designLINE</i> : Diecast aluminum; vibratory ground, painted (RAL 9006) Fastening material: steel; galvanized | 9000 | 250 | 60 |
| | 10 |  | Bracket: Diecast aluminum, vibratory ground | 9000 | 250 | 60 |
| Cover cap for bracket | | | PP | | | |
| | |  | PP | | | |

| Typ |  |  |  |
|----------|--|---|--|
| 40 / 160 | 9000 N | 250 Nm | 60 Nm |

Dimensions



Accessories

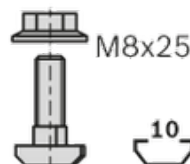
Recommended accessories

Cover cap for bracket 40/160, signal gray




Cover cap for bracket 40/160, black

Delivery notes

FS7



Ordering codes

| | Groove | ESD | FS | No. |
|---|--------|--|-------|------------|
| Bracket 40x160 set design <i>LINE</i> | 10 |  | 2xFS7 | 3842551605 |
| Bracket (standard) 40x160 | 10 |  | | 3842529006 |
| Cover cap for bracket 40/160, signal gray | | | | 3842548858 |
| Cover cap for bracket 40/160, black | |  | | 3842548859 |