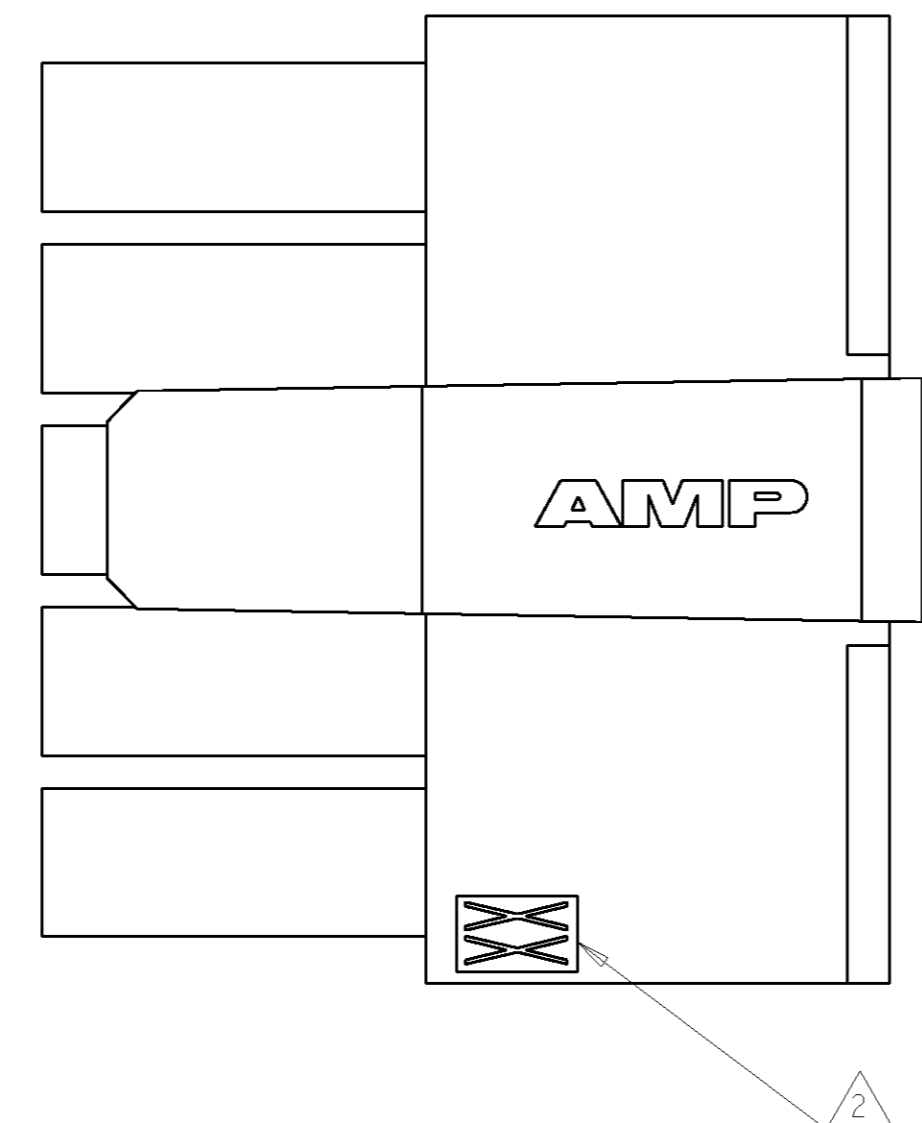
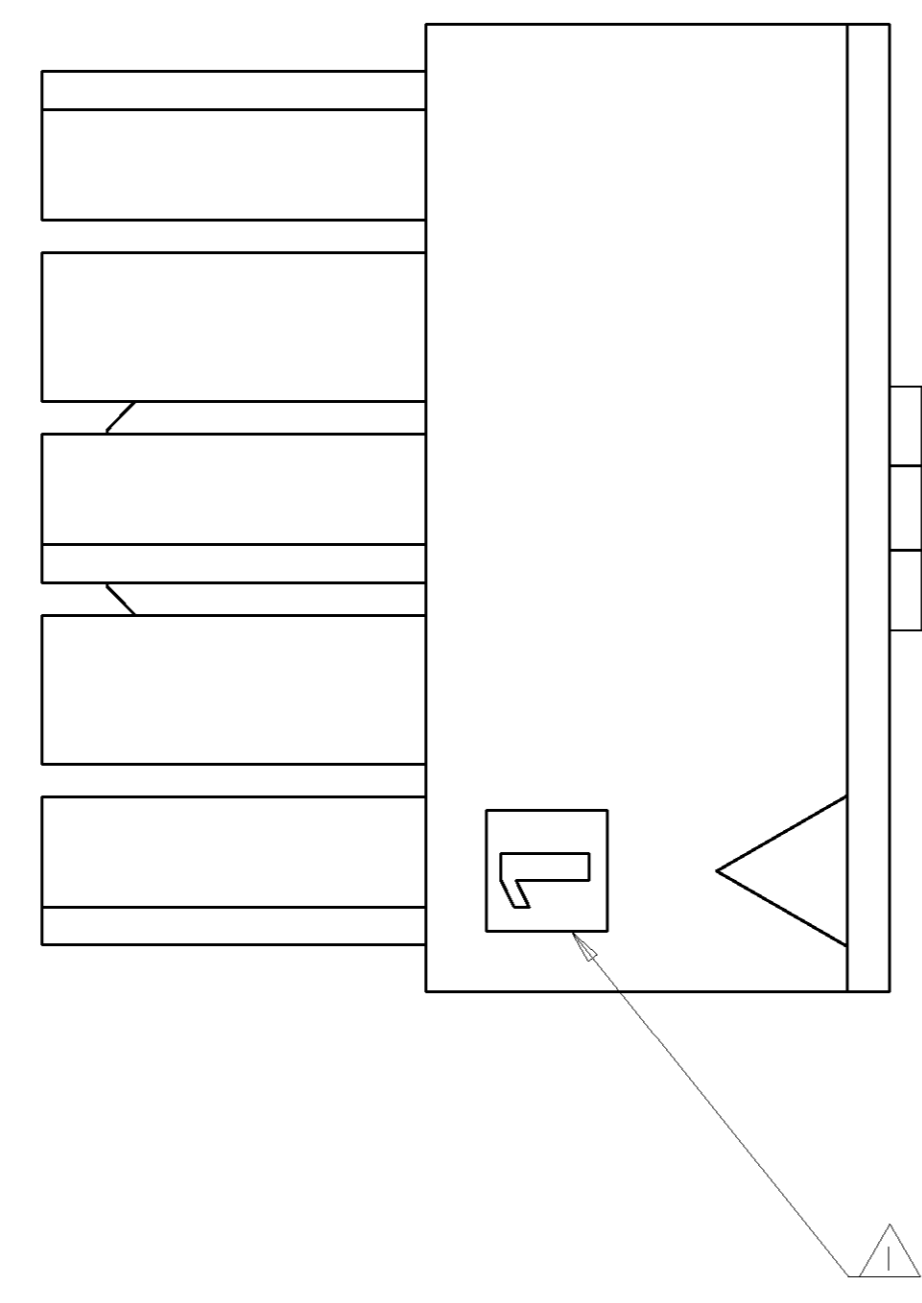
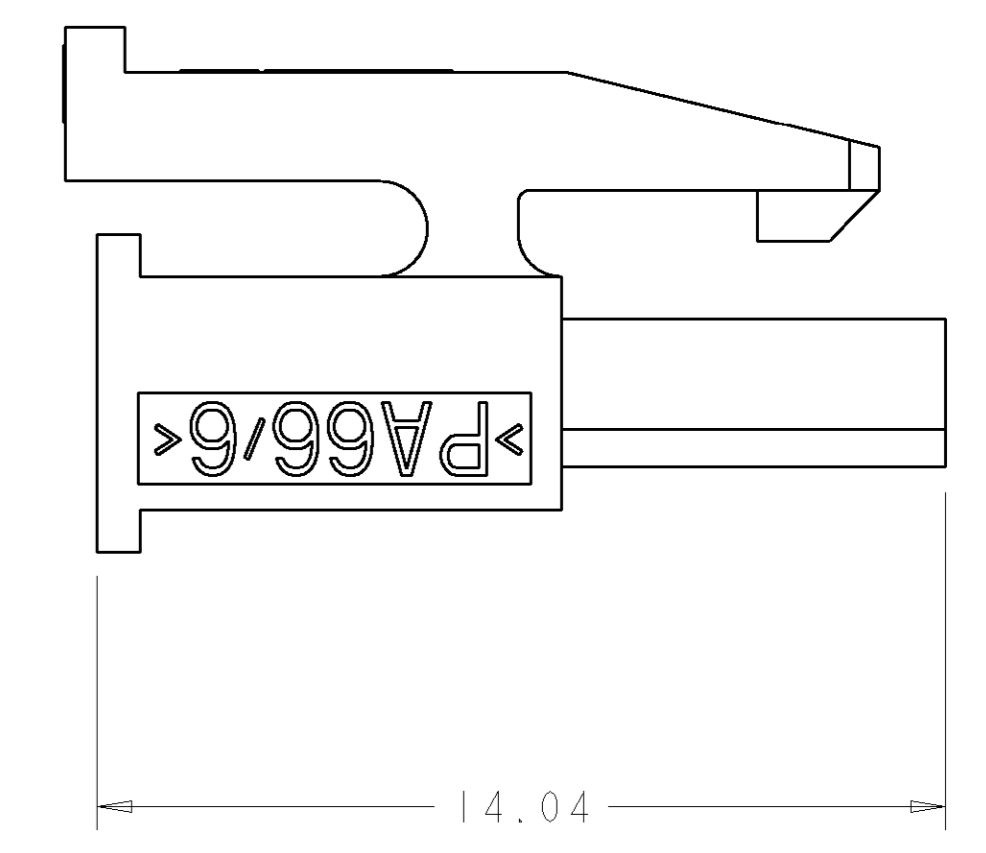
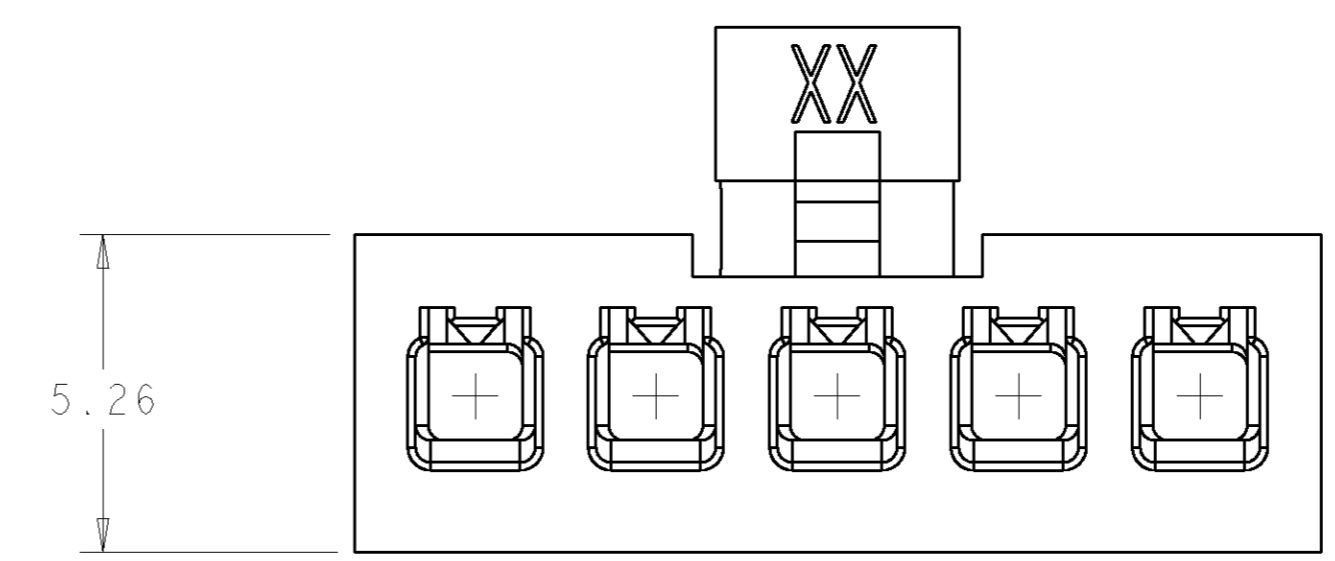
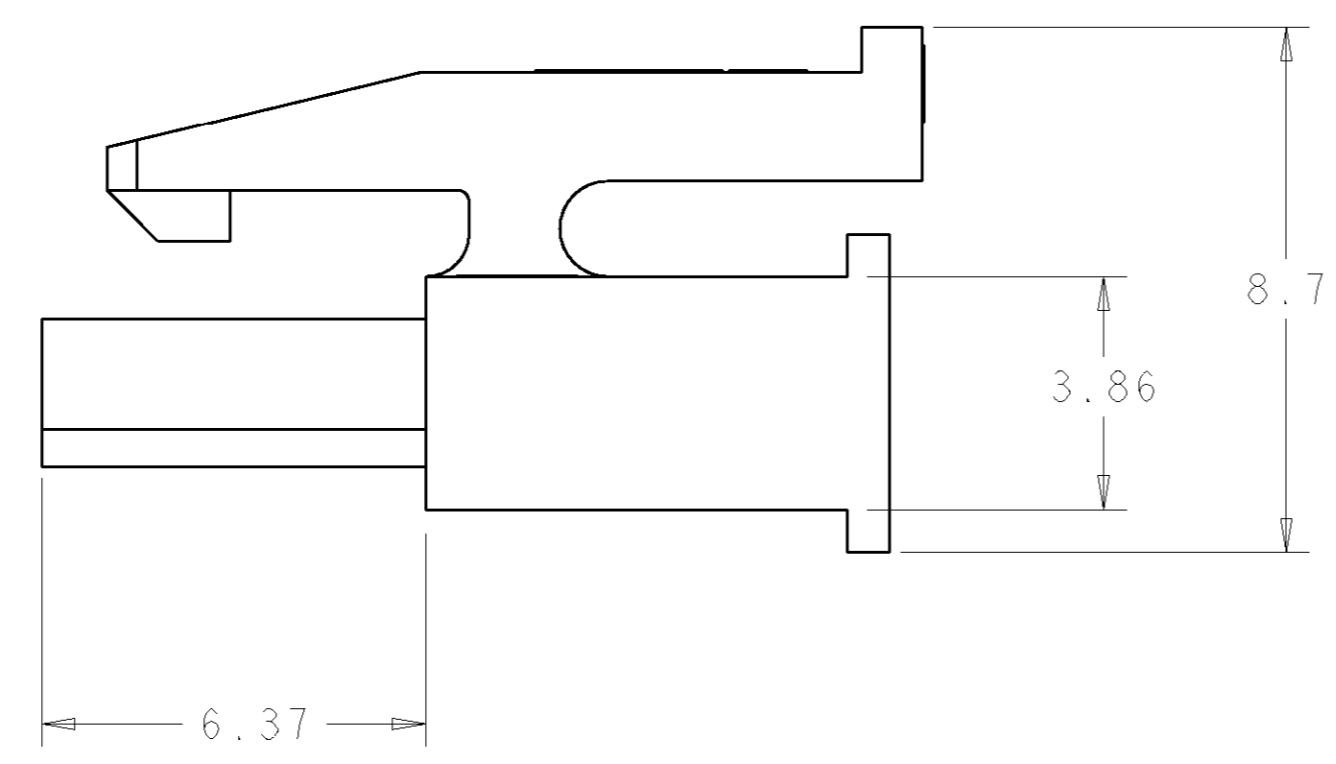
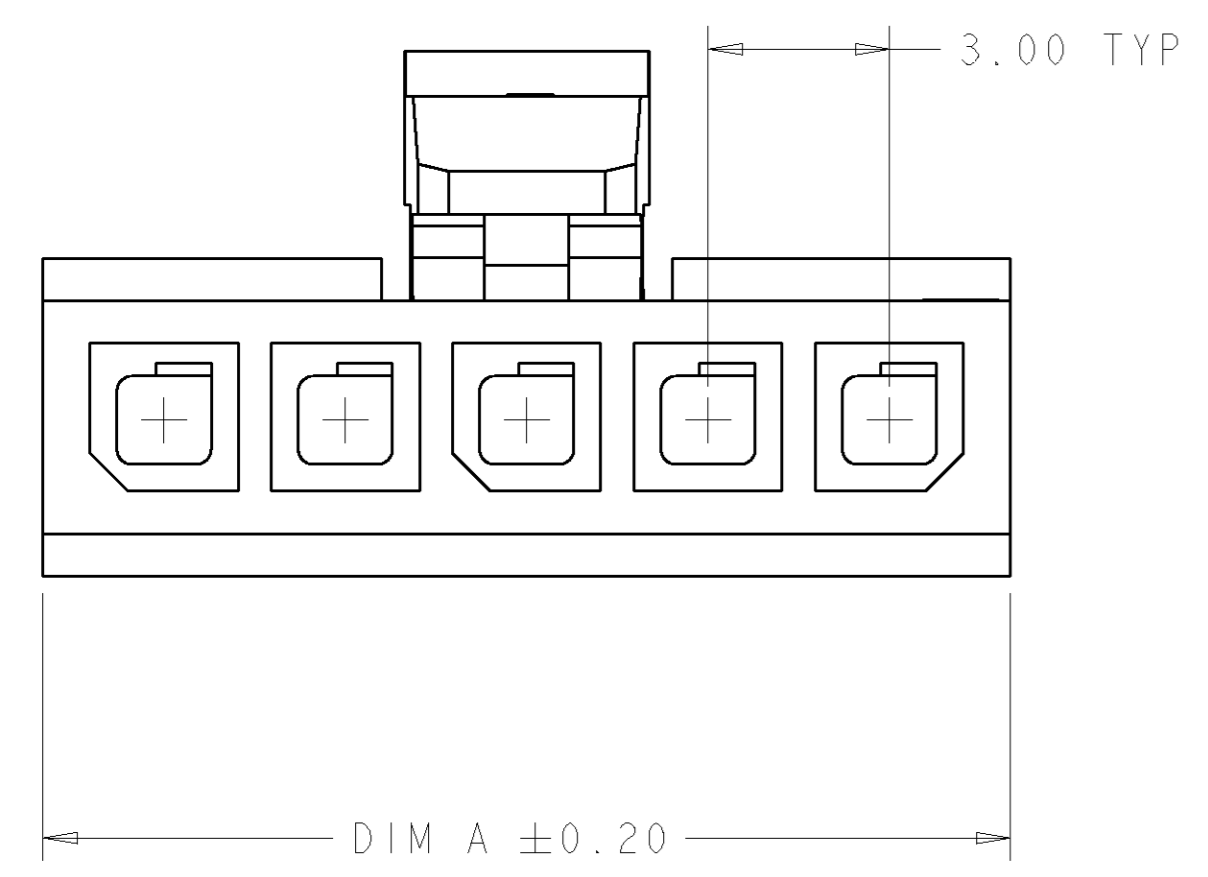


LOC		DIST		REVISIONS			
CM	00	P	LTR	DESCRIPTION	DATE	DWN	APVD
		B		REVISED PER 0638-0421-02	31-JAN-03	KW	CJ



⚠️ CIRCUIT 1 IDENTIFIER, LOCATED APPROXIMATELY AS SHOWN.
 ⚠️ LAST CIRCUIT IDENTIFIER, LOCATED APPROXIMATELY AS SHOWN.



DIM A	NO. OF POS.	PART NUMBER
37.00	12	1-1445022-2
34.00	11	1-1445022-1
31.00	10	1-1445022-0
28.00	9	1445022-9
25.00	8	1445022-8
22.00	7	1445022-7
19.00	6	1445022-6
16.00	5	1445022-5
13.00	4	1445022-4
10.00	3	1445022-3
7.00	2	1445022-2

DIMENSIONS: mm 		TOLERANCES UNLESS OTHERWISE SPECIFIED: 0 PLC ± 1 PLC ±0.13 2 PLC ± 3 PLC ± 4 PLC ± ANGLES ±1° FINISH -		DWN R. WHITAKER 14AUG2001 CHK C. JONES 14AUG2001 APVD C. JONES 14AUG2001		Tyco Electronics Harrisburg, PA 17105-3608	
MATERIAL: NYLON, UL 94V-0 BLACK		WEIGHT - CUSTOMER DRAWING		NAME: RECEPTACLE HOUSING, 2 TO 12 POSITION, SINGLE ROW, MICRO MATE-L-LOK™		SIZE: A1 CAGE CODE: 00779 DRAWING NO: 1445022	
				SCALE: 8:1		SHEET 1 OF 1 REV B	

