

Y distributor - VS-PPC-J-1220-1227-1020-0,2



1404799

<https://www.phoenixcontact.com/gb/products/1404799>

Please be informed that the data shown in this PDF document is generated from our Online Catalog. Please find the complete data in the user documentation. Our General Terms of Use for Downloads are valid.

PROFINET Y distributor with assembled power line, 5-pos., IP65/IP67, MSTB plug with metal housing on 2x socket in metal housing, cable length: 0.2 m



Commercial Data

Item number	1404799
Packing unit	1 pc
Minimum order quantity	1 pc
Sales Key	ABNHAS
Product Key	ABNHAS
Catalog Page	Page 365 (C-2-2019)
GTIN	4046356321488
Weight per Piece (including packing)	428.4 g
Weight per Piece (excluding packing)	398.2 g
Customs tariff number	85444290
Country of origin	DE

1404799

<https://www.phoenixcontact.com/gb/products/1404799>

Technical Data

Product properties

Product type	Distributor with cable
Number of positions	5
Shielded	no

Electrical properties

Rated voltage (III/3)	24 V
Rated current	16 A

LED signaling

Status display	No
Status display present	No

Material specifications

Flammability rating according to UL 94	V0
Housing material	die-cast aluminum

Connector

Insertion/withdrawal cycles	≤ 100
-----------------------------	-------

Cable / line

Cable structure

Structure of individual litz in acc. with VDE 0295 / smallest wire diameter	VDE 0295 class 5
External cable diameter	11.80 mm
Outer sheath, material	PVC
External sheath, color	silver-gray RAL 7001
Conductor material	Bare Cu litz wires

Mechanical properties

Smallest bending radius, fixed installation	50 mm
Smallest bending radius, movable installation	180 mm

Bending cycles

Smallest bending radius, fixed installation	50 mm
Smallest bending radius, movable installation	180 mm

Environmental and real-life conditions

Ambient conditions

Degree of protection	IP65
	IP67
Degree of protection	IP65

Y distributor - VS-PPC-J-1220-1227-1020-0,2



1404799

<https://www.phoenixcontact.com/gb/products/1404799>

Ambient temperature (operation)	-40 °C ... 70 °C (cable, fixed installation)
	-5 °C ... 70 °C (Cable, flexible installation)
	Plug / socket

Y distributor - VS-PPC-J-1220-1227-1020-0,2

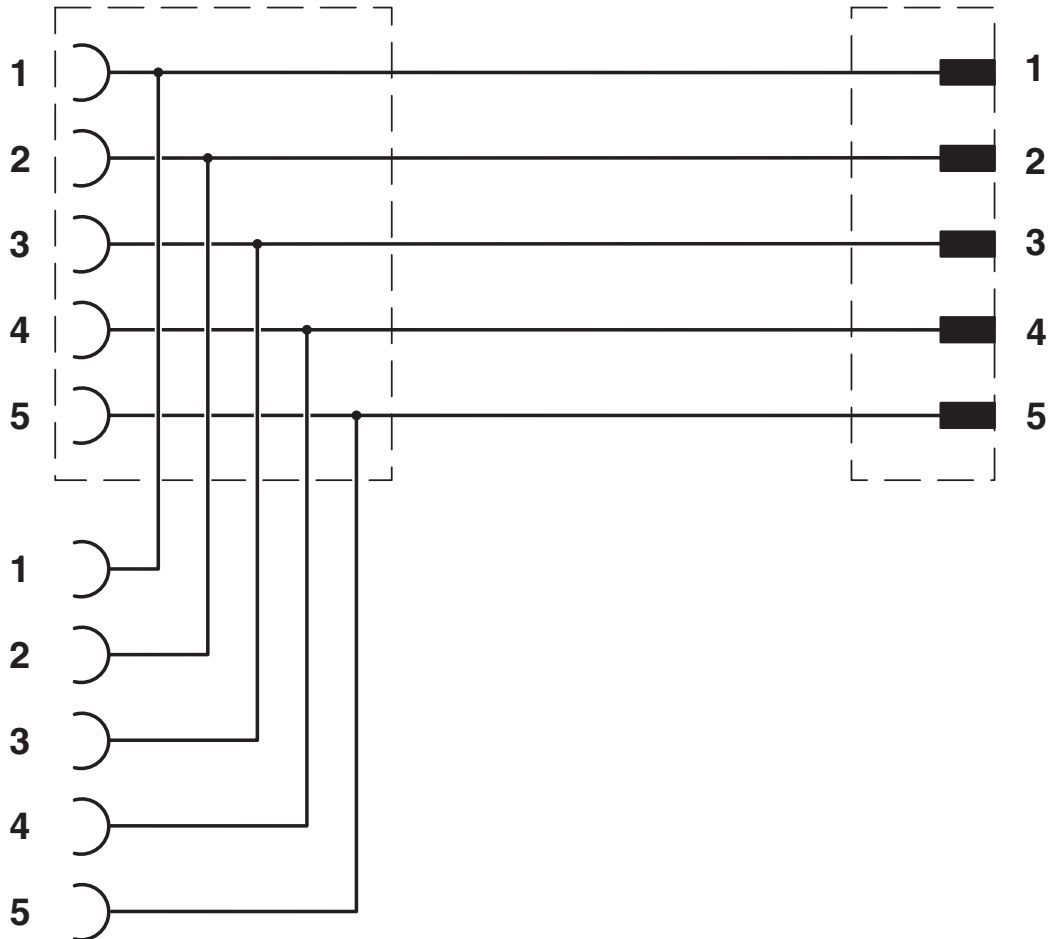


1404799

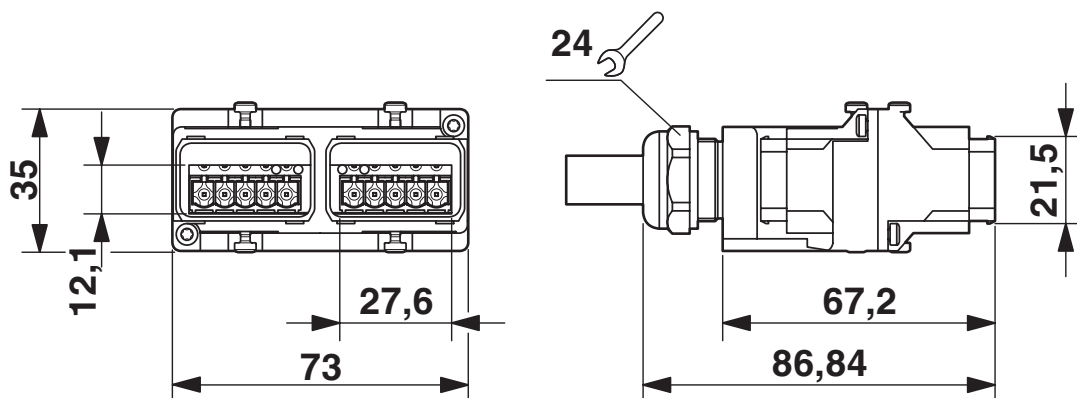
<https://www.phoenixcontact.com/gb/products/1404799>

Drawings

Circuit diagram



Dimensional drawing



Y distributor - VS-PPC-J-1220-1227-1020-0,2



1404799

<https://www.phoenixcontact.com/gb/products/1404799>

Approvals



EAC

Approval ID: B.00767



EAC

Approval ID: B.01687

Y distributor - VS-PPC-J-1220-1227-1020-0,2



1404799

<https://www.phoenixcontact.com/gb/products/1404799>

Classifications

ECLASS

ECLASS-9.0	27440108
ECLASS-10.0.1	27440108
ECLASS-11.0	27440108

ETIM

ETIM 8.0	EC002585
----------	----------

UNSPSC

UNSPSC 21.0	31251500
-------------	----------

Y distributor - VS-PPC-J-1220-1227-1020-0,2



1404799

<https://www.phoenixcontact.com/gb/products/1404799>

Environmental Product Compliance

REACH SVHC	Lead 7439-92-1
China RoHS	Environmentally Friendly Use Period = 50 years
	For information on hazardous substances, refer to the manufacturer's declaration available under "Downloads"

Phoenix Contact 2022 © - all rights reserved

<https://www.phoenixcontact.com>

PHOENIX CONTACT Ltd
Halesfield 13, Telford
Shropshire, TF7 4PG
01952 681700
info@phoenixcontact.co.uk