

FEATURES

- Modularity
- Sharp and reliable regulation
- High flow
- Robust with light weight

RS PRO WATER REGULATOR 1/8 0-8 BAR

RS Stock No.: 2312781



RS PROfessionally Approved Products bring to you professional quality parts across all product categories. Our product range has been tested by engineers and provides a comparable quality to the leading brands without paying a premium price.

Product Description

The RS PRO water regulator 1/8 works in 0-8 bar pressure range. It is necessary for a perfect conditioning of compressed air. While connecting the regulator, be sure that the air flows towards the direction of the arrows located on the upper surface of the regulator. It is RoHS and REACH compliant.

General Specifications

Material	Techno Polymeric
Connection Type	Thread
Media	Compressed Air
Applications	Pneumatic Automation, Compressed Air Circuit, Compressors, Compressed Air Pipeline

Mechanical Specifications

Port Connection	G 1/8
Port Connection Thread Standard	G
Port Connection Thread Size	1/8in
Minimum Outlet Pressure	0bar
Maximum Outlet Pressure	8bar
Pressure Gauge Port Size	M30 x 1.5in
Pressure Gauge Port Thread Standard	M30
Pressure Gauge Port Thread Size	1/5in
Regulation Range	0÷8bar
Overall Dimensions	74mm x 40mm x 40mm
Overall Height	74mm
Overall Width	40mm

Operation Environment Specifications

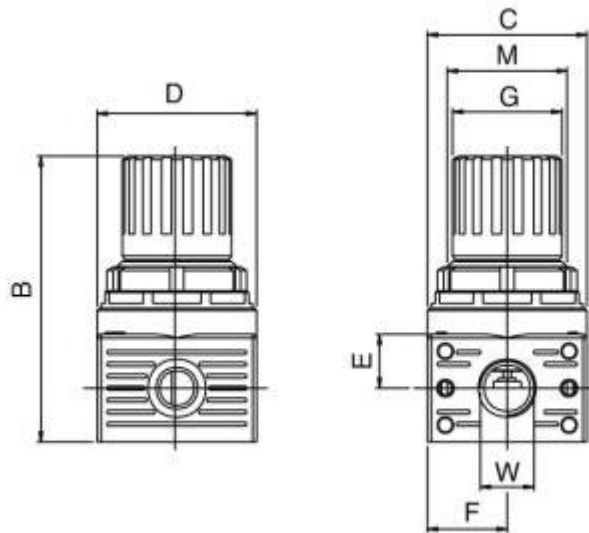
Maximum Operating Temperature	+50°C
Minimum Operating Temperature	5°C

Approvals

Standards Met	1907/2006 REACH, 2011/65/CE, RoHS, PED 2014/68/UE
----------------------	--

Similar Products

Parameters	2312781	2312782
Brand	RS PRO	RS PRO
Material	Techno Polymeric	Techno Polymeric
Connection Type	Thread	Thread
Media	Compressed Air	Compressed Air
Port Connection	G 1/8in	G 1/4in
Port Connection Thread Standard	G	G
Port Connection Thread Size	1/8in	1/4in
Minimum Outlet Pressure	0bar	0bar
Maximum Outlet Pressure	8bar	8bar
Pressure Gauge Port Size	M30 x 1.5in	M30 x 1.5in
Pressure Gauge Port Thread Standard	M30	M30
Pressure Gauge Port Thread Size	1/5in	1/5in
Regulation Range	0÷8bar	0÷8bar
Overall Dimensions	74mm x 40mm x 40mm	74mm x 40mm x 40mm
Overall Height	74mm	74mm
Overall Width	40mm	40mm
Standards Met	1907/2006 REACH, 2011/65/CE, RoHS, PED 2014/68/UE	1907/2006 REACH, 2011/65/CE, RoHS, PED 2014/68/UE
Applications	Pneumatic Automation, Compressed Air Circuit, Compressors, Compressed Air Pipeline	Pneumatic Automation, Compressed Air Circuit, Compressors, Compressed Air Pipeline



B	C	D	E	F	G	I	M	W
74	40	40	13.5	20	27.5	27	M30X1.5	1/8 - 1/4