

# Product datasheet

Specifications



## photo-electric sensor - XUK - receiver - Sn 30m - 24..240VAC/DC - cable 2m

XUK2ARCNL2R

### Main

Range of product	Telemecanique Photoelectric sensors XU
Series name	General purpose single mode
Electronic sensor type	Photo-electric sensor receiver
Sensor name	XUK
Sensor design	Compact 50 x 50
Detection system	Thru beam
Material	Plastic
Type of output signal	Discrete
Supply circuit type	AC/DC
Wiring technique	5-wire
Discrete output function	1 NC + 1 NO
Electrical connection	Cable
Cable length	2 m
Product specific application	-
Emission	Infrared thru beam
[Sn] nominal sensing distance	30 m thru beam need a transmitter XUK2ARCNL2T

### Complementary

Enclosure material	PBT
Lens material	PMMA
Maximum sensing distance	45 m thru beam
Output type	Relay
Add on output	Without
Wire insulation material	PVC
Status LED	1 LED (yellow) for output state
[Us] rated supply voltage	24...240 V AC/DC
Supply voltage limits	20...264 V AC/DC
Switching capacity in mA	3 A (cos φ = 1 for 0.5 million cycles at 1 operating cycle per second at 250 V)
Switching frequency	<= 20 Hz

Maximum voltage drop	<1.5 V (closed state)
Maximum power consumption in W	2 W AC
Maximum delay first up	60 ms
Maximum delay response	25 ms
Maximum delay recovery	25 ms
Setting-up	Without sensitivity adjustment
Electrical durability	500000 cycles, cos f = 1, operating rate <60 cyc/mn at 250 V
Depth	50 mm
Height	50 mm
Width	18 mm
Net weight	0.07 kg

## Environment

Product certifications	CE CSA UL
Ambient air temperature for operation	-25...55 °C
Ambient air temperature for storage	-40...70 °C
Vibration resistance	7 gn, amplitude = +/- 1.5 mm (f = 10...55 Hz) conforming to IEC 60068-2-6
Shock resistance	30 gn (duration = 11 ms) conforming to IEC 60068-2-27
IP degree of protection	IP65 double insulation conforming to IEC 60529

## Packing Units

Unit Type of Package 1	PCE
Number of Units in Package 1	1
Package 1 Weight	181.0 g
Package 1 Height	4.008 cm
Package 1 width	9.792 cm
Package 1 Length	12.972 cm
Unit Type of Package 2	S02
Number of Units in Package 2	22
Package 2 Weight	4.49 kg
Package 2 Height	15 cm
Package 2 width	30 cm
Package 2 Length	40 cm

## Offer Sustainability

Sustainable offer status	Green Premium product
REACH Regulation	<a href="#">REACH Declaration</a>
EU RoHS Directive	Pro-active compliance (Product out of EU RoHS legal scope) <a href="#">EU RoHS Declaration</a>
Mercury free	Yes
RoHS exemption information	<a href="#">Yes</a>

---

**Environmental Disclosure**      [Product Environmental Profile](#)

---

**Circularity Profile**      [End of Life Information](#)

---

**Contractual warranty**

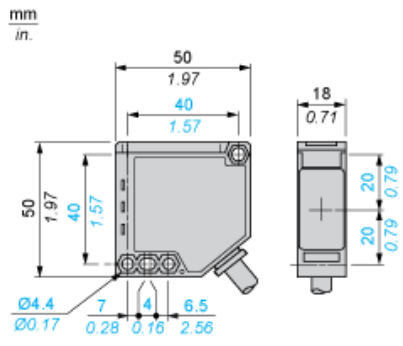
---

**Warranty**      18 months

---

## Dimensions

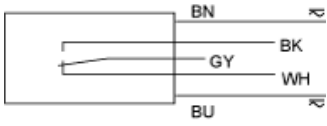
---



**Wiring Schemes**

---

**Relay Output**



- BN :** Brown
- BU :** Blue
- NO/BK :** Black
- Relay coil/BN/GY :** Green
- NC/WH :** White

