

GS2N3

switch-disconnector fuse body GS2 - TeSys
GS - 3 poles - 250A - DIN 1



Main

Range of product	TeSys GS
Device short name	GS2N
Fuse type	DIN
Fuse size	1
Product or component type	Fuse switch disconnector body
Poles description	3P
Network type	AC DC
Type of operating handle	External frontal External right side
[I _{th}] conventional free air thermal current	250 A at 40 °C

Complementary

Network frequency	50/60 Hz
Mounting support	Plate Rail
[U _i] rated insulation voltage	750 V AC 50/60 Hz
[U _{imp}] rated impulse withstand voltage	8 kV
Short-circuit withstand	32.5 kA
[I _e] rated operational current	250 A at 690 V AC-23B 250 A at 690 V AC-23A 250 A at 500 V AC-23B 250 A at 500 V AC-23A 250 A at 400 V AC-23B 250 A at 400 V AC-23A 200 A at 440 V 2 poles in series per phase DC-23B 200 A at 440 V 2 poles in series per phase DC-23A
Rated operational power in W	220 kW at 690 V AC-23B 220 kW at 690 V AC-23A 160 kW at 500 V AC-23B 160 kW at 500 V AC-23A 132 kW at 400 V AC-23B 132 kW at 400 V AC-23A
Making capacity	2500 A at 400 V (AC-23B)
[I _{cm}] rated short-circuit making capacity	250 kA rating of associated fuses 100 kA at 400 V with protection by gl fuses
Breaking capacity	2000 kA at 400 V AC-23B
Mechanical durability	10000 cycles
Electrical durability	200 cycles on DC-23B 200 cycles on DC-23A 1000 cycles on AC-23B 1000 cycles on AC-23A
Connections - terminals	Power circuit: cable cable 95...240 mm ² Power circuit: bars cable 32 mm ²
Tightening torque	Power circuit: 25 N.m
Height	234 mm
Width	195 mm
Depth	146 mm
Product weight	3.2 kg

The information provided in this documentation contains general descriptions and/or technical characteristics of the performance of the products contained herein. This documentation is not intended as a substitute for and is not to be used for determining suitability or reliability of these products for specific user applications. It is the duty of any such user or integrator to perform the appropriate and complete risk analysis, evaluation and testing of the products with respect to the relevant specific application or use thereof. Neither Schneider Electric Industries SAS nor any of its affiliates or subsidiaries shall be responsible or liable for misuse of the information contained herein.

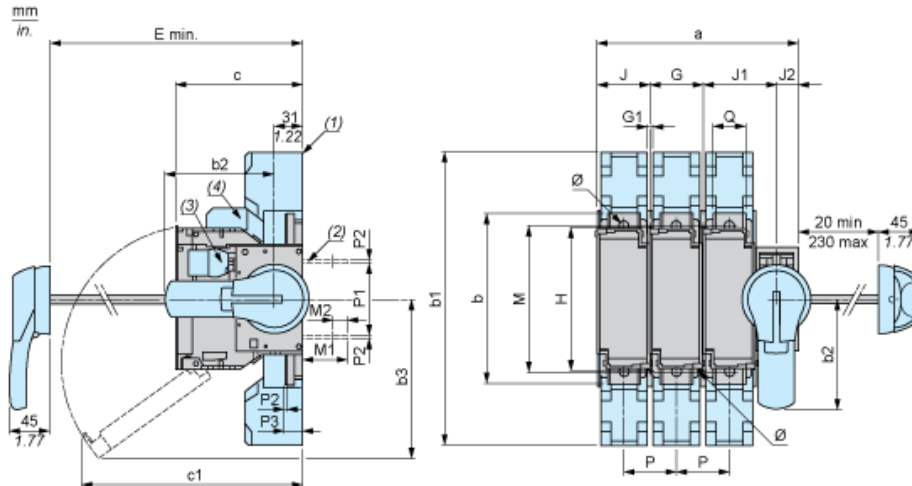
Environment

Standards	IEC 60269-1 IEC 60269-2 IEC 60947-3
Product certifications	ASEFA LOVAG LROS (Lloyds register of shipping)
IP degree of protection	IP20 with terminal cover conforming to IEC 60529
Ambient air temperature for operation	-20...70 °C
Ambient air temperature for operation	-40...80 °C storage -20...70 °C operation
Fire resistance	960 °C body conforming to IEC 60695-2-1 850 °C fuse cover conforming to IEC 60695-2-1

Contractual warranty

Period	18 months
--------	-----------

External Front and RH Side-mounted Operator



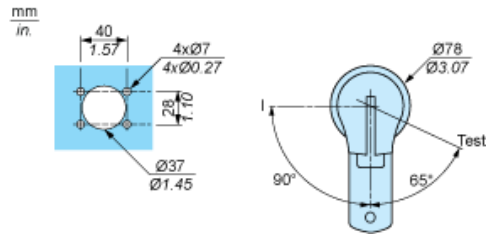
- (1) Terminal cover.
- (2) Rear access connector plates (option).
- (3) 1 to 8 auxiliary contacts GS1AM1**.
- (4) 1 to 2 auxiliary contacts GS1AF**.
- (5) 1 auxiliary contact GS1AM1** : + 23.5 mm, 2 auxiliary contacts GS1AM1** : + 47 mm.
- (6) 132 mm with 2 auxiliary contacts GS1AM1**.

In the following table the dimensions are provided in millimeters and in inches (in italic text).

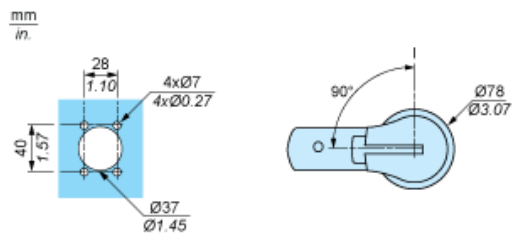
GS2	a	b	b1	b2	b3	c	c1	E min.	G	G1	H	J	J1	J2	Ø	M	M1	M2	P	P1	P2	P3	Q	Ø
F, DB	3P 121 4.76	118 4.65	-	70 2.76	85 3.35	87 (5) 3.43	153 6.02	100 (5) 3.94	27 1.06	5.4 0.21	106 4.17	31 1.22	45 1.77	18 0.71	5 0.20	-	15 0.59	6 0.24	27 1.06	59 2.32	2 0.08	-	12 0.47	-
4P	148 5.83	118 4.65	-	70 2.76	85 3.35	87 (5) 3.43	153 6.02	100 (5) 3.94	27 1.06	5.4 0.21	106 4.17	31 1.22	45 1.77	18 0.71	5 0.20	-	15 0.59	6 0.24	27 1.06	59 2.32	2 0.08	-	12 0.47	-
G, GB	3P 136 5.35	118 4.65	-	70 2.76	159 6.26	116.5 (6) 4.57	125 5.71	125 4.92	32 1.26	5.4 0.21	106 4.17	36 1.42	50 1.97	18 0.71	5 0.20	-	15 0.59	6 0.24	32 1.26	59 2.32	2 0.08	-	12 0.47	-
4P	168 6.61	118 4.65	-	70 2.76	159 6.26	116.5 (6) 4.57	125 5.71	125 4.92	32 1.26	5.4 0.21	106 4.17	36 1.42	50 1.97	18 0.71	5 0.20	-	15 0.59	6 0.24	32 1.26	59 2.32	2 0.08	-	12 0.47	-
J, JB, K	3P 148 5.83	162 6.38	268 10.55	125 4.92	141 5.55	116 (6) 4.57	187 7.36	135 5.31	36 1.42	5.4 0.21	127 5.00	40 1.57	54 2.13	18 0.71	5 0.20	141 5.55	41 1.61	8 0.31	36 1.42	62 2.44	2.5 0.10	19.5 0.77	20 0.79	8.5 0.33
4P	184 7.24	162 6.38	268 10.55	125 4.92	141 5.55	116 (6) 4.57	187 7.36	135 5.31	36 1.42	5.4 0.21	127 5.00	40 1.57	54 2.13	18 0.71	5 0.20	141 5.55	41 1.61	8 0.31	36 1.42	62 2.44	2.5 0.10	19.5 0.77	20 0.79	8.5 0.33
KK, LL	3P 148 5.83	162 6.38	268 10.55	125 4.92	141 5.55	126.5 (6) 4.98	193 7.60	135 5.31	36 1.42	5.4 0.21	127 5.00	40 1.57	54 2.13	18 0.71	5 0.20	141 5.55	41 1.61	8 0.31	36 1.42	62 2.44	2.5 0.10	19.5 0.77	20 0.79	8.5 0.33
4P	184 7.24	162 6.38	268 10.55	125 4.92	141 5.55	126.5 (6) 4.98	193 7.60	135 5.31	36 1.42	5.4 0.21	127 5.00	40 1.57	54 2.13	18 0.71	5 0.20	141 5.55	41 1.61	8 0.31	36 1.42	62 2.44	2.5 0.10	19.5 0.77	20 0.79	8.5 0.33
L, LB, LLB	3P 190 7.48	162 6.38	268 10.55	125 4.92	174 6.85	136.5 (6) 4.98	229 9.02	145 5.71	50 1.97	5.4 0.21	140 5.51	54 2.13	64 2.52	18 0.71	5 0.20	141 5.55	41 1.61	8 0.31	50 1.97	62 2.44	2.5 0.10	19.5 0.77	20 0.79	8.5 0.33
4P	240 9.45	162 6.38	268 10.55	125 4.92	174 6.85	136.5 (6) 4.98	229 9.02	145 5.71	50 1.97	5.4 0.21	140 5.51	54 2.13	64 2.52	18 0.71	5 0.20	141 5.55	41 1.61	8 0.31	50 1.97	62 2.44	2.5 0.10	19.5 0.77	20 0.79	8.5 0.33

GS2		a	b	b1	b2	b3	c	c1	E min.	G	G1	H	J	J1	J2	Ø	M	M1	M2	P	P1	P2	P3	Q	Ø
MMB, NB, N	3P	234	195	345	125	185	146	251	154	60	6.4	162	64	86	25	6	166	52	17	60	84	2.5	19.5	32	11
		9.21	7.68	13.58	4.92	7.28	5.75	9.88	6.06	2.36	0.25	6.38	2.52	3.39	0.98	0.24	6.54	2.05	0.67	2.36	3.31	0.10	0.77	1.26	0.43
4P	294	195	345	125	185	146	251	154	60	6.4	162	64	86	25	6	166	52	17	60	84	2.5	19.5	32	11	
	11.57	7.68	13.58	4.92	7.28	5.75	9.88	6.06	2.36	0.25	6.38	2.52	3.39	0.98	0.24	6.54	2.05	0.67	2.36	3.31	0.10	0.77	1.26	0.43	
PPB, QQB, QQ	3P	252	205	355	125	200	149	260	157	66	6.4	172	70	91	25	6	175	54	14.5	66	84	3	20	50	11
		9.92	8.07	13.98	4.92	7.87	5.87	10.24	6.18	2.60	0.25	6.77	2.76	3.58	0.98	0.24	6.89	2.13	0.57	2.60	3.31	0.12	0.79	1.97	0.43
4P	318	205	355	125	200	149	260	157	66	6.4	172	70	91	25	6	175	54	14.5	66	84	3	20	50	11	
	12.52	8.07	13.98	4.92	7.87	5.87	10.24	6.18	2.60	0.25	6.77	2.76	3.58	0.98	0.24	6.89	2.13	0.57	2.60	3.31	0.12	0.79	1.97	0.43	

Door Cut-out - For External Front-mounted Operator



Door Cut-out - For External RH Side-mounted Operator



3-pole GS

