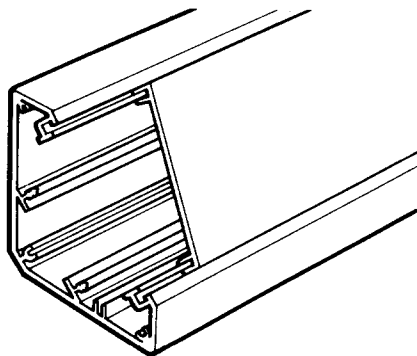


CONSORT DADO & BENCH TRUNKING

■ BENCH TRUNKING

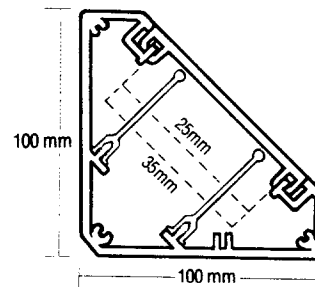
Trunking Assembly



| Size | Ref. |
|--------------|------------|
| 100 x 100 mm | RS 852-700 |

Designed with the special needs of the classroom, workshop and laboratory environments in mind, CONSORT BENCH TRUNKING offers new levels of ease of installation and practicality in use.

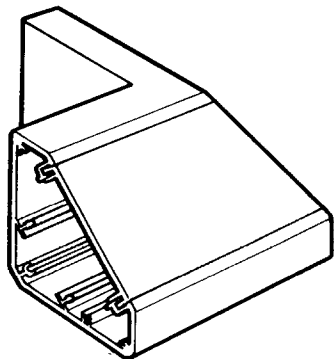
- Attractive, easy to clean, satin anodised body and uPVC lids give strength with versatility.
- Clip-in one and two gang socket mounting boxes which can be easily relocated to meet changes in the requirement for electrical services.
- Optional clip-in dividers for complete circuit segregation if required.



End profile demonstrating the position of socket boxes and optional dividers, ref. CTD 60 (not to scale).

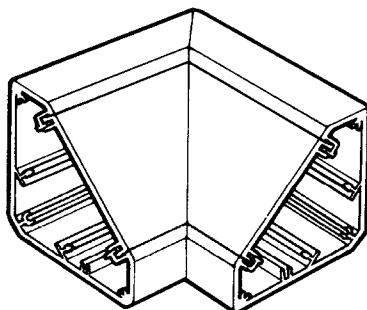
■ BENCH TRUNKING FITTINGS

External Angle



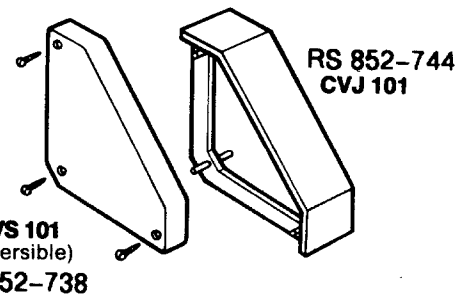
| Size | Ref. |
|--------------|------------|
| 100 x 100 mm | RS 852-716 |

Internal Angle



| Size | Ref. |
|--------------|------------|
| 100 x 100 mm | RS 852-722 |

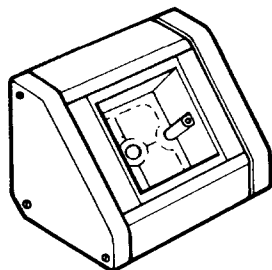
End Cap & Joint Cover/Coupler



| Type | Ref. |
|---------------------|---------|
| End Cap | CVS 101 |
| Joint Cover/Coupler | CVJ 101 |

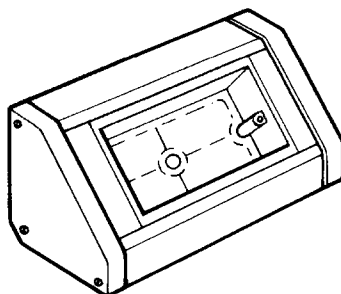
■ BENCH UNITS

Bench Unit - 1 Gang



| Size | Ref. |
|--------------------|------------|
| 100 x 100 x 140 mm | RS 852-788 |

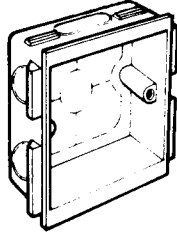
Bench Unit - 2 Gang



| Size | Ref. |
|--------------------|------------|
| 100 x 100 x 200 mm | RS 852-794 |

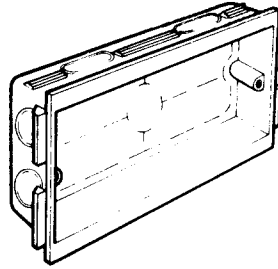
■ CONSORT DADO & BENCH TRUNKING ACCESSORIES

Socket Mounting Boxes
1 Gang - 25 mm & 35 mm Deep



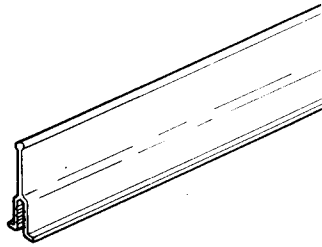
| Size | Ref. |
|--------------|------------|
| 1 Gang 35 mm | RS 852-750 |

Socket Mounting Boxes
2 Gang - 25 mm & 35 mm Deep



| Size | Ref. |
|--------------|------------|
| 2 Gang 35 mm | RS 852-766 |

Dividers



| Size | Ref. |
|------------|------------|
| 60 mm deep | RS 852-772 |