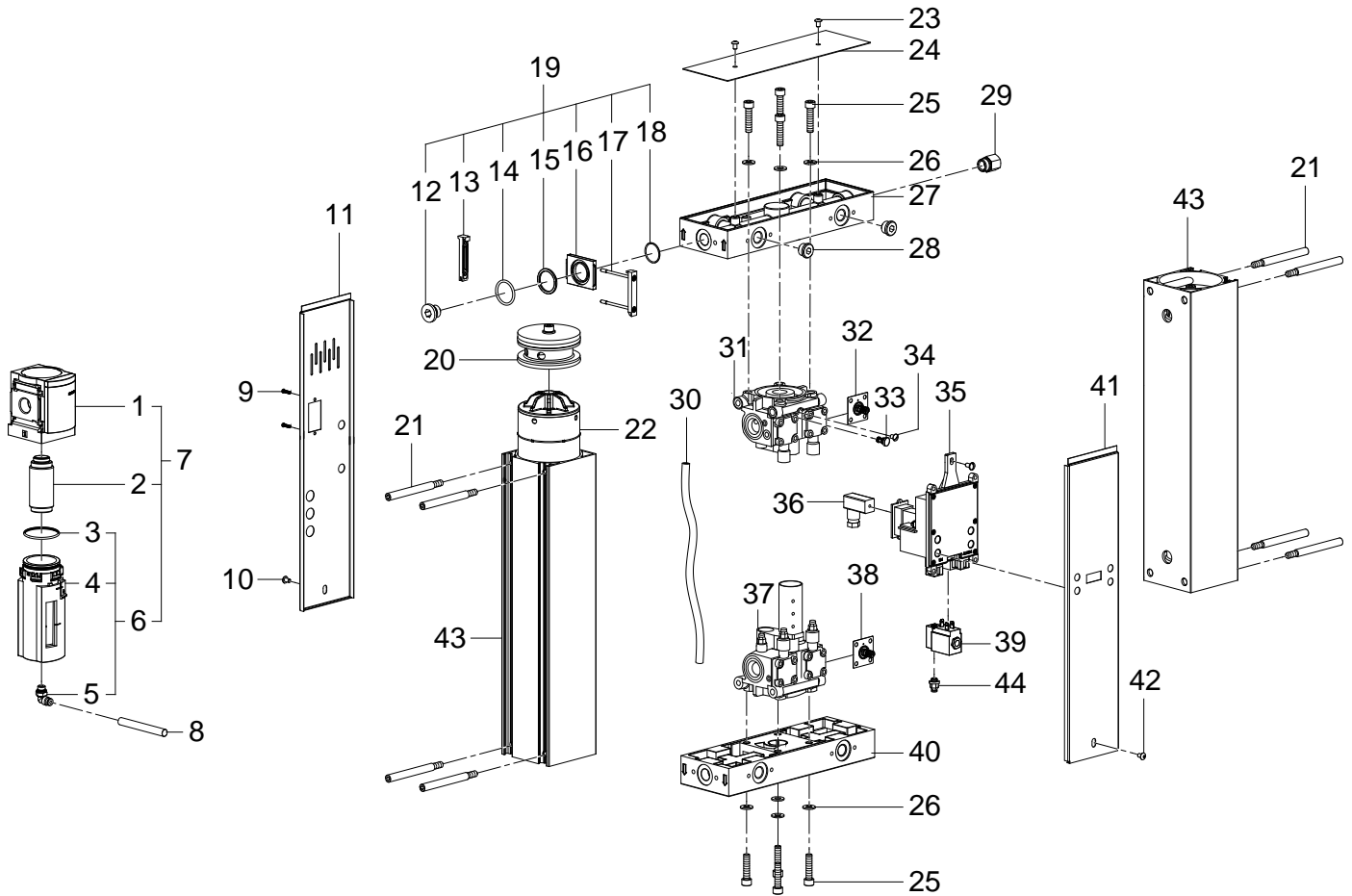


552170 PDAD-09-G3/8 Adsorption dryer - Series till 01-2018



## 552170 PDAD-09-G3/8 Adsorption dryer - Series till 01-2018

Pos.	Part no.	Type	Note	Qty.	Unit
1		MS6-LFM-1/4 Filter basic function module	Not available separately, see position 7	1	PC
2	532909	MS6-LFM-A Micro-filter cartridge		1	PC
3	383151	B-43X2,5-N-NBR65 O-ring ISO3601		1	PC
4		MS6/MS6N-LF/LFM/LFR Bowl module	Not available separately, see position 6	1	PC
5	578280	NPQH-L-G18-Q4-P10 Push-in L-fitting	Tightening torque 10 Nm / 7.4 lbf ft	1	PC
6	747916	MS6-LFM-.R-*W:SP Bowl module		1	PC
7	553871	MS6-LFM-3/8-AR-DA:*W Micro filter		1	PC
8			Not available	1	PC
9			Not available	2	PC
10			Not available Tightening torque 1 Nm / 0.7 lbf ft	1	PC
11			Not available	1	PC
12		MS6-G3/8-PDAD Hollow bolt	Not available separately, see position 19 Tightening torque 15 Nm / 11.1 lbf ft	1	PC
13		MS6-WP:HI. Module connector	Not available separately, see position 19	1	PC
14	327382	B-29X3-N-NBR75 O-ring ISO3601		1	PC
15		MS6-NNR Flat seal	Not available separately, see position 19	1	PC
16		MS6-IPM Module connector	Not available separately, see position 19	1	PC
17		MS6-WP:VO. Module connector	Not available separately, see position 19 Tightening torque 1.2 Nm / 0.9 lbf ft	1	PC
18		B-22,4X2,65-N-NBR70 O-ring ISO3601	Not available separately, see position 19	1	PC
19	718230	MS6-G3/8-PDAD Sub-base		1	PC
20			Not available	1	PC
21			Not available Tightening torque 20 Nm / 14.8 lbf ft	8	PC
22	553749	PDAD-09-SP-12000 Service kit		1	PC
23			Not available Tightening torque 1 Nm / 0.7 lbf ft	2	PC
24			Not available	1	PC
25			Not available Tightening torque 20 Nm / 14.8 lbf ft	8	PC
26			Not available	8	PC
27			Not available	1	PC
28			Not available Tightening torque 15 Nm / 11.1 lbf ft	2	PC
29			Not available Tightening torque 15 Nm / 11.1 lbf ft	1	PC
30			Not available	1	PC
31	755229	PDAD- O Valve block	No longer available. Please order from product series K1 the components with position nos. 31+36.	1	PC

Pos.	Part no.	Type	Note	Qty.	Unit
32	755227	PDAD- O Diaphragm module		1	PC
33	553763	ADNA-PDAD-09 Air gun nozzle		1	PC
34			Not available Tightening torque 3 Nm / 2.2 lbf ft	1	PC
35	755225	PDAD- controller		1	PC
36	14098	MSSD-E Plug socket		1	PC
37	755228	PDAD- U Valve block	No longer available. Please order from product series K1 the components with position nos. 31+36.	1	PC
38	755226	PDAD- U Diaphragm module		1	PC
39	755224	PDAD- Solenoid valve		1	PC
40			Not available	1	PC
41			Not available	1	PC
42			Not available Tightening torque 1 Nm / 0.7 lbf ft	1	PC
43			Not available	1	PC
44			Not available	1	PC