

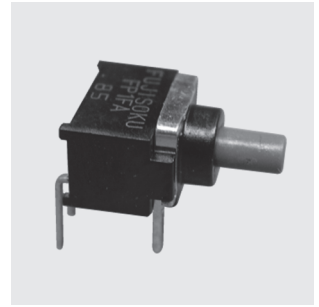
CFP2

- Terminal Pins: Straight
- Actuator Color: Gray

Ultra-Miniature Pushbutton Switches

Washable

RoHS Compliant



Features

1. Ultra-miniature pushbutton switch for high density mounting.
2. Washable.
3. Terminal pin pitch: 2.54 mm.
4. Independent detent mechanism ensures light operational feel.
5. Clip contact mechanism for long-term contact reliability.
6. Gold-plated contacts.

Specifications

Rating	Max.	0.4VA (28VDC max.)
	Min.	1μA 20mVDC
Initial contact resistance	100m Ω max. (1.5mA 200μVAC)	
Dielectric strength	250VAC 1 minute	
Insulation resistance	500MΩ min. (250VDC)	
Electrical life	10,000 operations at max.rating, 30,000 operations at min.rating,	
Mechanical life	30,000 cycles	
Operating force	1.47 ± 0.98N	
Operating temperature range	-40~+85°C	
Storage temperature range	-40~+85°C	

Part Numbering

CFP2 — **2** **R** **C4** — **A** **W**

Series Actuator Number of poles Switching function Terminal style Actuator shape Packaging spec

Code	Type
P	Pushbutton

Fig.	Number of poles
1	1 pole
2	2 poles

1 pole	2 poles	Switching function
F	R	ON — (ON)

Fig.	Terminal style
C	P/C
C4	Right angle
C6	Vertical mounting

Code	Actuator shape
A	Standard

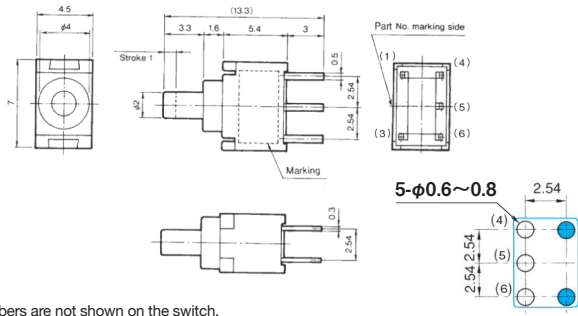
Code	Packaging spec
W	Tray

Terminal style of c (Style : P/C Terminal)	Terminal style of c4 (Style : R/A Terminal)	Terminal style of c6 (Style : V/M Terminal)

CFP2

SPDT

PC



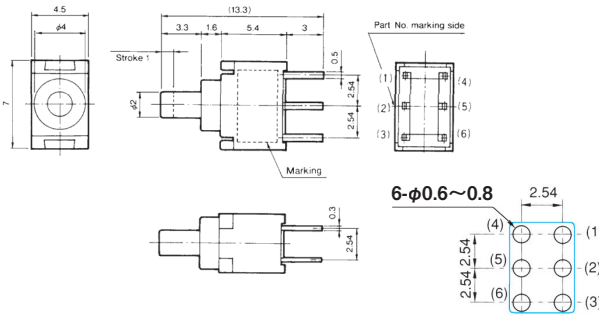
Terminal numbers are not shown on the switch.

Switching function			
	Part No.	CFP2-1FC-AW	ON
Connecting terminals	5-6	5-4	

(Top view)
PC Hole Layouts

DPDT

PC



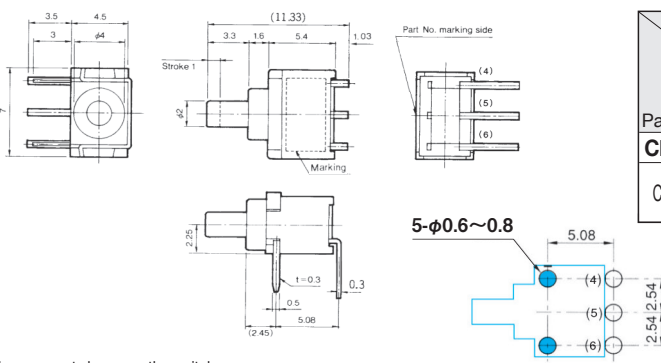
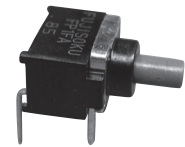
Terminal numbers are not shown on the switch.

Switching function			
	Part No.	☆CFP2-2RC-AW	ON
Connecting terminals	2-3 5-6	2-1 5-4	

(Top view)
PC Hole Layouts

SPDT

R/A



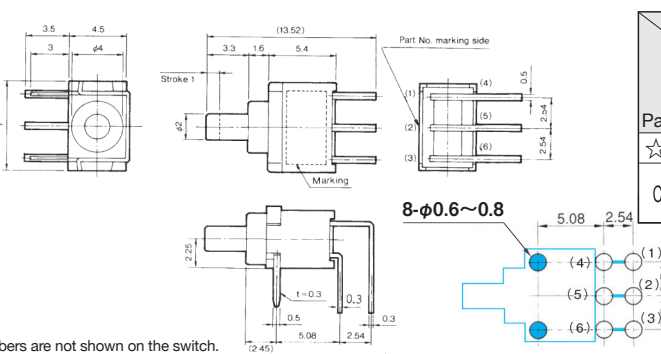
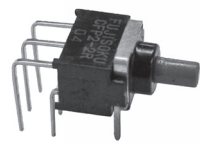
Terminal numbers are not shown on the switch.

Switching function			
	Part No.	CFP2-1FC4-AW	ON
Connecting terminals	5-6	5-4	

(Top view)
PC Hole Layouts

DPDT

R/A



Terminal numbers are not shown on the switch.

Switching function			
	Part No.	☆CFP2-2RC4-AW	ON
Connecting terminals	2-3 5-6	2-1 5-4	

(Top view)
PC Hole Layouts

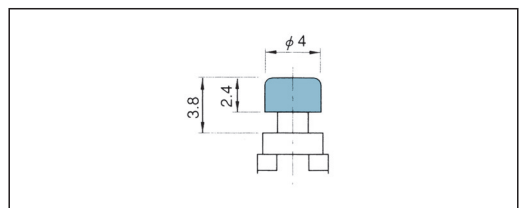
※ The above PC Hole Layouts are top view drawings.

Optional Accessories

《Sold separately》

Part Name	Dimension	Color	Part Number
Color Cap	<p>Gloss finish</p> <p>ABS resin</p>	White	140000481453
		Red	140000481452
		Black	140000481451
		Gray	140000481450

Color Cap Mounting



:Optional Accessories.

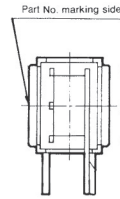
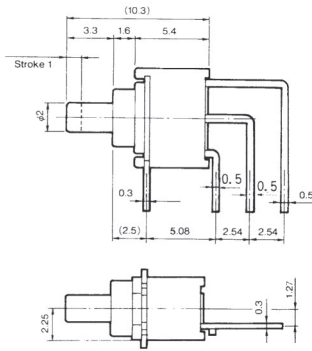
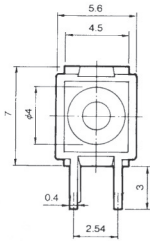
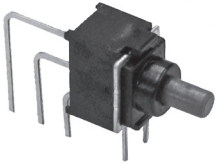
The blue line shows the outline of the switch.

(ON) : Momentary.

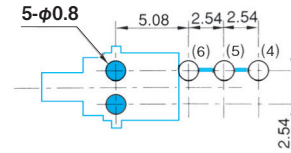
☆ : Semi-standard products.

SPDT

V/M



Switching function	Part No.	
	ON	(ON)
Part No.	CFP2-1FC6-AW	(ON)
Connecting terminals	5-6	5-4

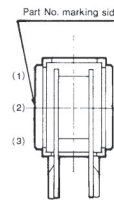
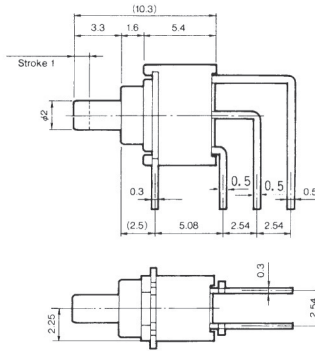
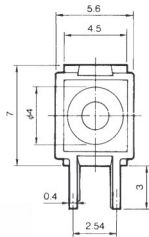
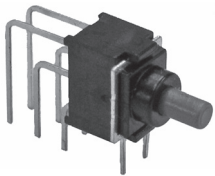


(Top view)
PC Hole Layouts

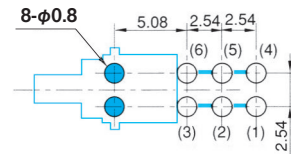
Terminal numbers are not shown on the switch.

DPDT

V/M



Switching function	Part No.	
	ON	(ON)
Part No.	☆CFP2-2RC6-AW	(ON)
Connecting terminals	2-3 5-6	2-1 5-4



(Top view)
PC Hole Layouts

Terminal numbers are not shown on the switch.

※ The above pcb hole dimengion, it is a top view drawing when we fix the switch.

■ Handling Specifications (CFP2)

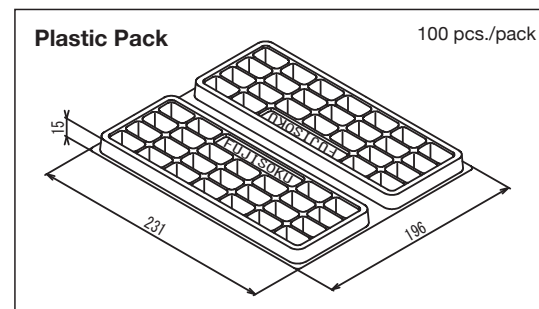
1. Soldering Specifications

- (1)Manual Soldering
 - Device : Soldering iron
 - 350°C, Max.; 3 seconds, Max.
- (2)Auto Soldering
 - Device : Jet wave type or dip type
 - 260°C, Max.; 3-5 seconds, Max. (One time)
 - Total dip time: Within 10 seconds
 - Pre-heating should be done at temperatures from 80°C to 120°C and within 120 seconds
- (3)When soldering two or more terminals to a common land, use solder resist to separate them

2. Flux Cleaning

- (1)Solvents : Fluorine or Alcohol type
- (2)Cleaning after soldering should be done after the PC board is exposed to room temperature (30°C or below) for 1 to 2 hours.
- (3)Do not use ultrasonic cleaning.

■ Packaging Specifications



The blue line shows the outline of the switch.

(ON) : Momentary.

☆ : Semi-standard products.