

D-SUB contact insert - VS-25-BU-DSUB-HD-EG



1655221

<https://www.phoenixcontact.com/gb/products/1655221>

Please be informed that the data shown in this PDF document is generated from our Online Catalog. Please find the complete data in the user documentation. Our General Terms of Use for Downloads are valid.

D-SUB contact insert, shell size 3, with 44 signal contacts, type of contact socket, with solder cup, straight, fixing with a 3 mm hole, for panel mounting frame and sleeve housing VS-25-...



Your advantages

- High packing density with 44 signal contacts in D-SUB shell size 3
- Compatible with IP67 sleeve housing and panel-mount frame
- Easy assembly

D-SUB contact insert - VS-25-BU-DSUB-HD-EG



1655221

<https://www.phoenixcontact.com/gb/products/1655221>

Commercial Data

Item number	1655221
Packing unit	10 pc
Minimum order quantity	10 pc
Sales Key	ABNADB
Product Key	ABNADB
Catalog Page	Page 210 (C-2-2013)
GTIN	4046356029162
Weight per Piece (including packing)	15.61 g
Weight per Piece (excluding packing)	15.61 g
Customs tariff number	85366990
Country of origin	DE

D-SUB contact insert - VS-25-BU-DSUB-HD-EG



1655221

<https://www.phoenixcontact.com/gb/products/1655221>

Technical Data

Product properties

Type	D-SUB
Product type	Female insert
Number of positions	44
Connection profile	25-pos. D-SUB
Application	high-position
Type	Socket
Shielded	yes

Insulation characteristics

Overvoltage category	III
Degree of pollution	2

Electrical properties

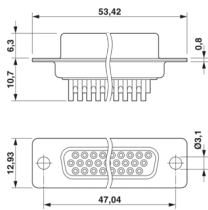
Rated voltage in acc. with IEC 61076-2-101	250 V
Rated voltage (III/3)	60 V
Rated surge voltage	1 kV
Rated current	3 A (at 20 °C)
Test voltage	1000 V

Connection data

Connection technology

Connection method	Solder cup
-------------------	------------

Dimensions

Dimensional drawing	
Width	17 mm
Height	12.93 mm
Length	53.42 mm

Material specifications

Flammability rating according to UL 94	V0
Contact material	Copper alloy
Contact surface material	Gold
Contact carrier material	Glass-fiber reinforced thermoplastics, UL 94 V0

D-SUB contact insert - VS-25-BU-DSUB-HD-EG



1655221

<https://www.phoenixcontact.com/gb/products/1655221>

Connector

Insertion/withdrawal cycles	≥ 50
-----------------------------	------

Mechanical properties

Mechanical data

Insertion force per signal contact	≤ 3.40 N
------------------------------------	----------

Environmental and real-life conditions

Ambient conditions

Degree of protection	IP20
----------------------	------

Ambient temperature (operation)	-55 °C ... 105 °C
---------------------------------	-------------------

Mounting

Mounting type	Screw mounting
---------------	----------------

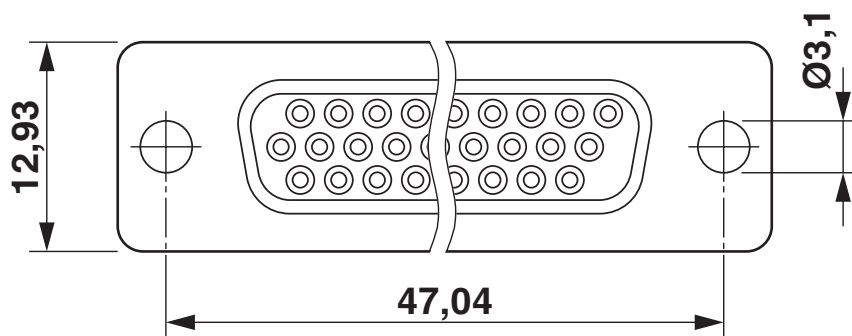
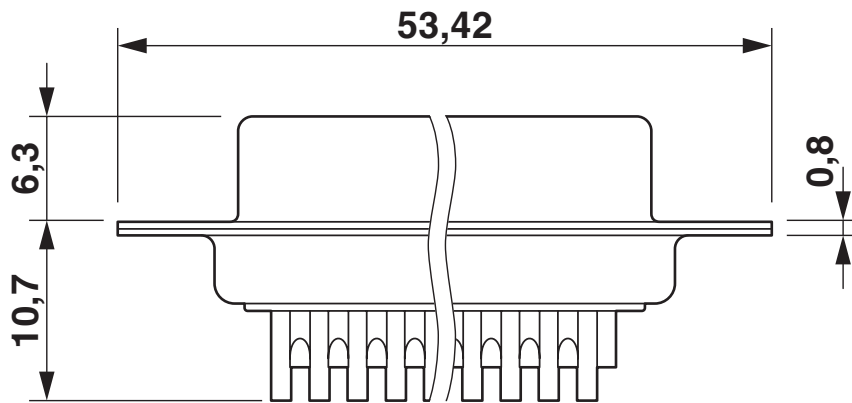
D-SUB contact insert - VS-25-BU-DSUB-HD-EG

1655221

<https://www.phoenixcontact.com/gb/products/1655221>

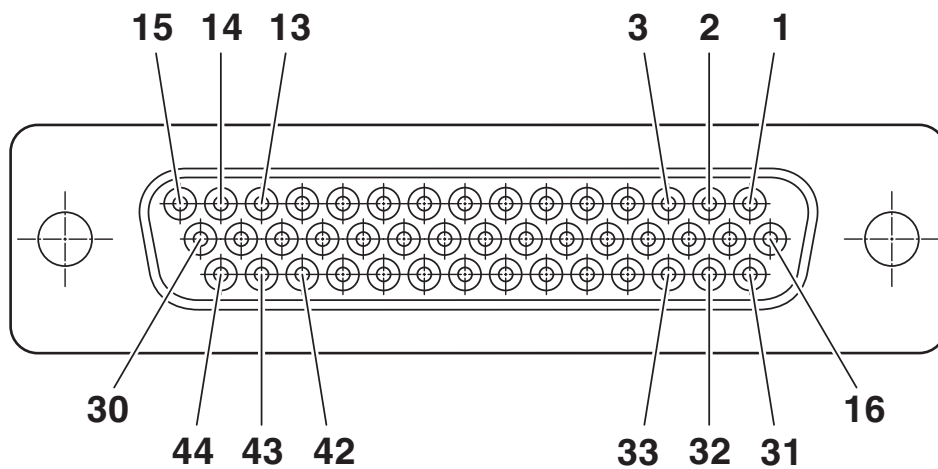
Drawings

Dimensional drawing



D-SUB contact insert

Schematic diagram



D-SUB contact insert - VS-25-BU-DSUB-HD-EG



1655221

<https://www.phoenixcontact.com/gb/products/1655221>

Approvals



EAC

Approval ID: B.01687

D-SUB contact insert - VS-25-BU-DSUB-HD-EG



1655221

<https://www.phoenixcontact.com/gb/products/1655221>

Classifications

ECLASS

ECLASS-10.0.1	27440205
ECLASS-9.0	27440205
ECLASS-11.0	27440223

ETIM

ETIM 8.0	EC003557
----------	----------

UNSPSC

UNSPSC 21.0	39121400
-------------	----------

D-SUB contact insert - VS-25-BU-DSUB-HD-EG



1655221

<https://www.phoenixcontact.com/gb/products/1655221>

Environmental Product Compliance

REACH SVHC	Lead 7439-92-1
China RoHS	Environmentally Friendly Use Period = 50 years
	For information on hazardous substances, refer to the manufacturer's declaration available under "Downloads"

D-SUB contact insert - VS-25-BU-DSUB-HD-EG



1655221

<https://www.phoenixcontact.com/gb/products/1655221>

Accessories

D-SUB sleeve housings

D-SUB sleeve housings - CUC-DST-GPME-S/DSSC25 - 1419719

<https://www.phoenixcontact.com/gb/products/1419719>



D-SUB sleeve housings, degree of protection: IP20, material: ABS, metal-plated, cable outlet: straight, housing size: 3, color: Bare metallic

D-SUB sleeve housings

D-SUB sleeve housings - CUC-DST-GPME-A/DSSC25 - 1419721

<https://www.phoenixcontact.com/gb/products/1419721>



D-SUB sleeve housings, degree of protection: IP20, material: ABS, metal-plated, cable outlet: angled, housing size: 3, color: Bare metallic

D-SUB contact insert - VS-25-BU-DSUB-HD-EG

1655221

<https://www.phoenixcontact.com/gb/products/1655221>

D-SUB sleeve housings

D-SUB sleeve housings - CUC-DST-GZNI-S/DSSC25 - 1419727

<https://www.phoenixcontact.com/gb/products/1419727>



D-SUB sleeve housings, degree of protection: IP20, material: Zinc die-cast, cable outlet: straight, housing size: 3, color: Bare metallic

D-SUB sleeve housings

D-SUB sleeve housings - CUC-DST-GZNI-A/DSSC25 - 1419728

<https://www.phoenixcontact.com/gb/products/1419728>



D-SUB sleeve housings, degree of protection: IP20, material: Zinc die-cast, cable outlet: angled, housing size: 3, color: Bare metallic

D-SUB contact insert - VS-25-BU-DSUB-HD-EG

1655221

<https://www.phoenixcontact.com/gb/products/1655221>

D-SUB panel mounting frames

D-SUB panel mounting frames - VS-25-A - 1689750

<https://www.phoenixcontact.com/gb/products/1689750>

D-SUB panel mounting frame, shell size 3, IP67 degree of protection



D-SUB sleeve housings

D-SUB sleeve housings - VS-25-T-2M20 - 1689792

<https://www.phoenixcontact.com/gb/products/1689792>

D-SUB sleeve housing, shell size 3, IP67 degree of protection



D-SUB contact insert - VS-25-BU-DSUB-HD-EG



1655221

<https://www.phoenixcontact.com/gb/products/1655221>

Screw

Screw - CUC-SCHRAUBE-5,5:360 - 1421711

<https://www.phoenixcontact.com/gb/products/1421711>

Screw, type: Hexagonal, color: Bare metallic



D-SUB contact insert

D-SUB contact insert - VS-25-ST-DSUB-HD-EG - 1655234

<https://www.phoenixcontact.com/gb/products/1655234>

D-SUB contact insert, shell size 3, with 44 signal contacts, type of contact pin, with solder cup, straight, fixing with a 3 mm hole, for panel mounting frame and sleeve housing VS-25-...



Phoenix Contact 2022 © - all rights reserved

<https://www.phoenixcontact.com>

PHOENIX CONTACT Ltd

Halesfield 13, Telford

Shropshire, TF7 4PG

01952 681700

info@phoenixcontact.co.uk