

Data interface - PSR-M-GW-ETH-SC - 1105106

Please be informed that the data shown in this PDF Document is generated from our Online Catalog. Please find the complete data in the user's documentation. Our General Terms of Use for Downloads are valid (<http://phoenixcontact.com/download>)



Gateway for connecting a PSR-M base module to a higher-level controller, EtherNet/IP™, TBUS interface, plug-in screw terminal block, TBUS connector included

Product Description


The configurable and individually scalable PSRmodular safety system is a flexible safety solution for monitoring your machine or system. PSRmodular gateways connect a PSR-M basic module to a higher-level controller. The gateway is designed for use with EtherNet/IP™.

Your advantages

- ✓ Economical safety solution with a high level of adaptability to individual requirements
- ✓ Fast startup, thanks to easy hardware and software configuration
- ✓ Machine downtime minimized with comprehensive, easy-to-understand diagnostics
- ✓ Narrow housing width of just 22.6 mm



Key Commercial Data

Packing unit	1 pc
GTIN	 4 055626 974835
GTIN	4055626974835
Weight per Piece (excluding packing)	131.000 g
Custom tariff number	85371098
Country of origin	Italy
Sales Key	DNA365

Technical data

Dimensions

Width	22.61 mm
Height	112.58 mm
Depth	113.6 mm

Ambient conditions

Data interface - PSR-M-GW-ETH-SC - 1105106

Technical data

Ambient conditions

Ambient temperature (operation)	-10 °C ... 55 °C (observe derating)
Ambient temperature (storage/transport)	-20 °C ... 85 °C
Max. permissible relative humidity (operation)	95 % (non-condensing)
Max. permissible humidity (storage/transport)	95 % (non-condensing)
Maximum altitude	≤ 2000 m (Above sea level)

Power supply

Designation	A1/A2
Rated control circuit supply voltage U_s	24 V DC -20 % / +20 % (external fuse, typically 4 A)
	19.2 V DC ... 28.8 V DC
Rated control supply current I_s	typ. 60 mA (without network connection)
	typ. 70 mA (1 network connection)
Power consumption at U_s	typ. 1.68 W (1 network connection)
	typ. 1.92 W (2 network connections)
Inrush current	< 2.2 A ($\Delta t = 1$ ms at U_s)
Filter time	typ. 5 ms (at A1 in the event of voltage dips at U_s)
Protective circuit	Serial protection against polarity reversal
	Suppressor diode

Device interface

Designation	Network interface
Communication protocol	EtherNet/IP™
Connection method	RJ45 jack
Number of connections	2
Transmission speed	100 Mbps
Transmission physics	Twisted-Pair
Transmission length	max. 100 m
Designation	Service interface
Connection method	USB 2.0 Hi-Speed
Number of connections	1
Maximum cable length	3 m

General

Nominal operating mode	100% operating factor
Net weight	131 g
Mounting position	vertical or horizontal
Mounting type	DIN rail mounting
Degree of protection	IP20
Min. degree of protection of inst. location	IP54
Protection class	III (EN 50178)
Housing material	Polyamide PA non-reinforced
Housing color	gray

Data interface - PSR-M-GW-ETH-SC - 1105106

Technical data

General

Operating voltage display	1 x green LED
Status display	1 x LED (green), 2 x LED (green, red)
Indication	2 x LED (red)

Connection data

Connection method	Screw connection
pluggable	Yes
Conductor cross section solid	0.2 mm ² ... 2.5 mm ²
Conductor cross section flexible	0.2 mm ² ... 2.5 mm ²
Conductor cross-section AWG	24 ... 12
Stripping length	7 mm
Screw thread	M3
Torque	0.5 Nm ... 0.6 Nm

Standards and Regulations

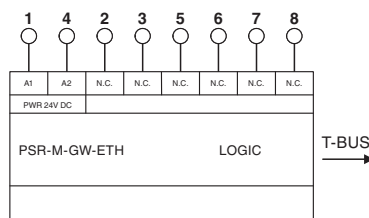
Standards/regulations	EN 50178
Rated insulation voltage	250 V AC
Rated surge voltage/insulation	Basic insulation 4 kV
Degree of pollution	2
Overvoltage category	II
Shock	10g for Δt = 16 ms (continuous shock, 1000 shocks in each space direction)
Vibration (operation)	10 Hz ... 150 Hz, 2g
Conformance	CE-compliant

Environmental Product Compliance

China RoHS	Environmentally friendly use period: unlimited = EFUP-e
	No hazardous substances above threshold values

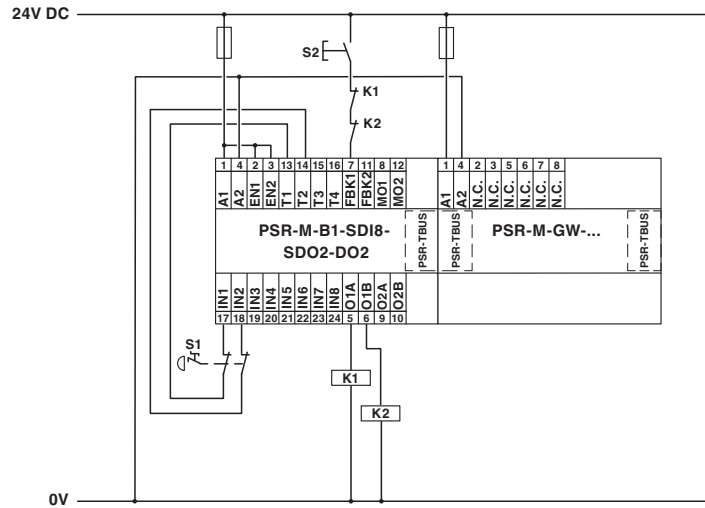
Drawings

Block diagram



Data interface - PSR-M-GW-ETH-SC - 1105106

Application drawing



Classifications

eCl@ss

eCl@ss 10.0.1	27242608
eCl@ss 11.0	27242608
eCl@ss 8.0	27242608
eCl@ss 9.0	27242608

ETIM

ETIM 5.0	EC001604
----------	----------

Approvals

Approvals

Approvals

UL Listed / cUL Listed / cULus Listed

Ex Approvals

Approval details

UL Listed		http://database.ul.com/cgi-bin/XYV/template/LISEXT/1FRAME/index.htm	FILE E 238705
-----------	--	---	---------------

Data interface - PSR-M-GW-ETH-SC - 1105106

Approvals

cUL Listed		http://database.ul.com/cgi-bin/XYV/template/LISEXT/1FRAME/index.htm	FILE E 238705
------------	--	---	---------------

cULus Listed			
--------------	--	--	--

Accessories

Accessories

Coding element

Coding profile - CP-MSTB - 1734634



Coding profile, is inserted into the slot on the plug or inverted header, red insulating material

Coding section - CR-MSTB - 1734401



Coding section, inserted into the recess in the header or the inverted plug, red insulating material

Programming cable

USB cable - CABLE-USB/MINI-USB-3,0M - 2986135



USB connecting cable: USB plug type A to USB plug type Mini-B; length: 3 m

Safety device

Data interface - PSR-M-GW-ETH-SC - 1105106

Accessories

Safety module - PSR-M-B1-SDI8-SDO2-DO2-SC - 1104981



Configurable safety module (basic module), 8 safe inputs, 2 safe outputs, 2 reset inputs, 2 signal outputs, 4 clock outputs, can be extended via TBUS, up to SILCL 3, Cat. 4/PL e, SIL 3, plug-in screw terminal block, TBUS connector not included

Safety module - PSR-M-B1-SDI8-SDO2-DO2-PI - 1104972



Configurable safety module (basic module), 8 safe inputs, 2 safe outputs, 2 reset inputs, 2 signal outputs, 4 clock outputs, can be extended via TBUS, up to SILCL 3, Cat. 4/PL e, SIL 3, plug-in Push-in terminal block, TBUS connector not included

Safety module - PSR-M-B2-SDI8-SDO4-DO4-SC - 1104974



Configurable safety module (basic module), 8 safe inputs, 4 safe outputs, 4 reset inputs or 4 signal outputs, 4 clock outputs, can be extended via TBUS, up to SILCL 3, Cat. 4/PL e, SIL 3, plug-in screw terminal block, TBUS connector not included

Safety module - PSR-M-B2-SDI8-SDO4-DO4-PI - 1104975



Configurable safety module (basic module), 8 safe inputs, 4 safe outputs, 4 reset inputs or 4 signal outputs, 4 clock outputs, can be extended via TBUS, up to SILCL 3, Cat. 4/PL e, SIL 3, plug-in Push-in terminal block, TBUS connector not included
