

### V3 83169 Sealed Standard 831690 Part number 83169002



- IP 67 protection
- Nominal ratings 0.1 A to 10 A / 250 VAC
- Minimum rating 1 mA / 4 VDC
- Reduced differential travel
- Choice of actuators

#### Part numbers

	Type	Function	Connections
83169002	Standard 831690	I (changeover)	Lead output on right

#### Specifications

##### Electrical characteristics

Rating nominal / 250 VAC (A)	8
Rating thermal / 250 VAC (A)	10

##### Mechanical characteristics

Maximum operating force (N)	4,5
Min. Release force (N)	1
Maximum total travel force (N)	8
Max. permitted overtravel force (N)	20
Maximum rest position (mm)	15,9
Operating position (mm)	14,7 <sup>+ 0,5</sup>
Maximum differential travel (mm)	0,35
Min. overtravel (mm)	1
Ambient operating temperature (°C)	-20 → +85
Mechanical life (operations)	5 x 10 <sup>6</sup>
Contact gap (mm)	0,4
Weight (g)	30

##### Connections

Wire output on right	D
Wire output on left	G
Cable output	C
Leads connection	Flexible PVC leads 1 mm <sup>2</sup> length 0.50 m, Ø ext. 2 mm
Cable connection	PVC 3 x 0.75 mm <sup>2</sup> length 0.50 m, Ø ext. 5 mm

#### Additional specifications

##### Components

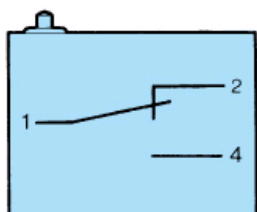
###### Material

- Case : polyester UL 94 VO
- Contacts : silver/nickel - gold alloy (dual-current)
- Membrane : fluoro-silicon

###### Levers

- stainless steel
- Roller : polyamide
- Plunger : stainless steel

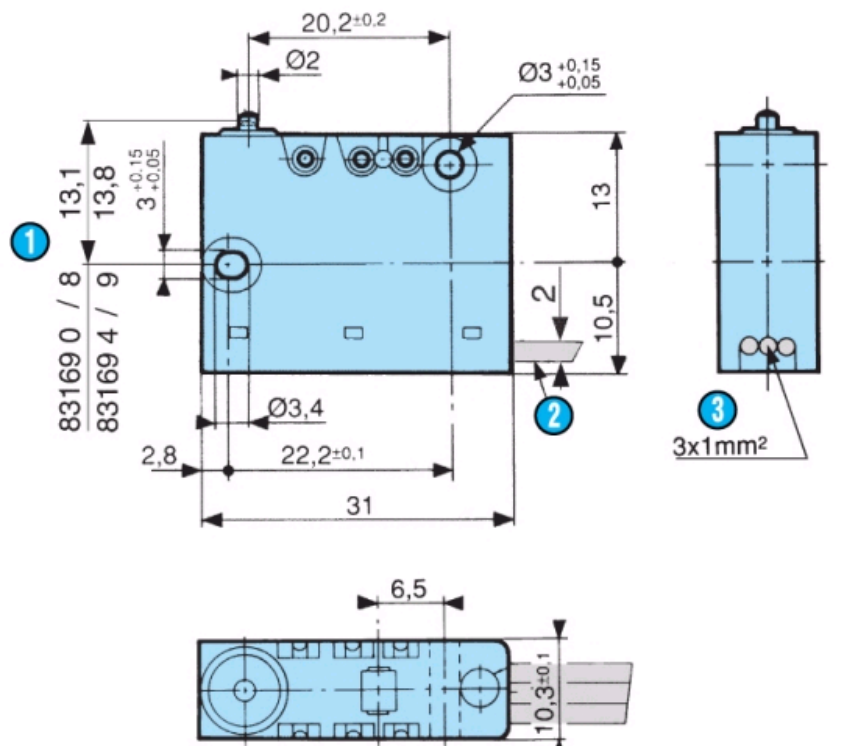
#### Principles



#### Dimensions (mm)

Product

Lead output

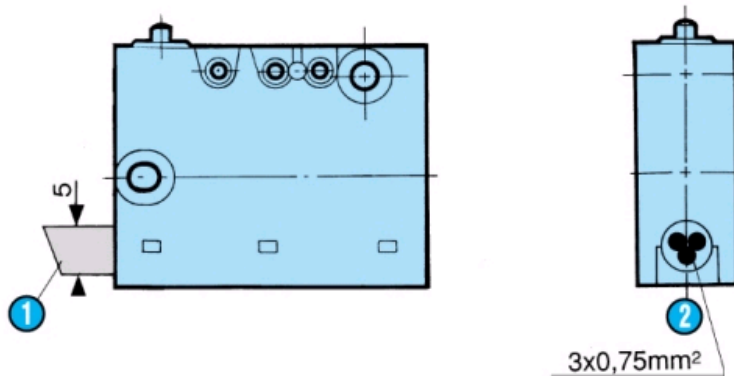


N°	Legend
1	OL = 13.1
2	Right output
3	Lead 1 mm <sup>2</sup> 1 = black lead (common) 2 = brown lead (NC) 4 = blue lead (NO)

Dimensions (mm)

Product

Cable output



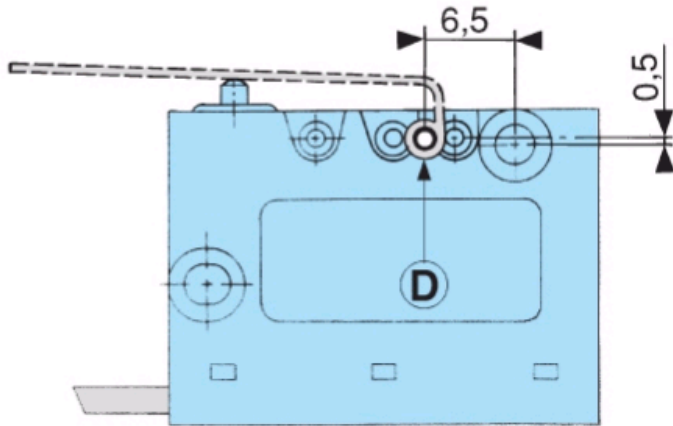
N°	Legend
----	--------

①	Left output
②	Cable 3 x 0.75 mm <sup>2</sup> 1 = black lead (common) 2 = brown lead (NC) 4 = blue lead (NO)

### Dimensions (mm)

#### Actuator mounting positions

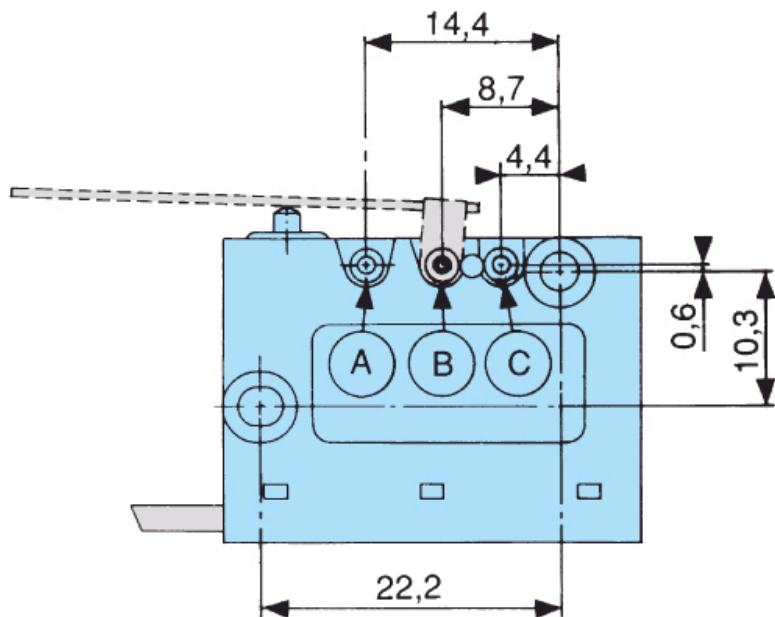
#### Levers type 139



### Dimensions (mm)

#### Actuator mounting positions

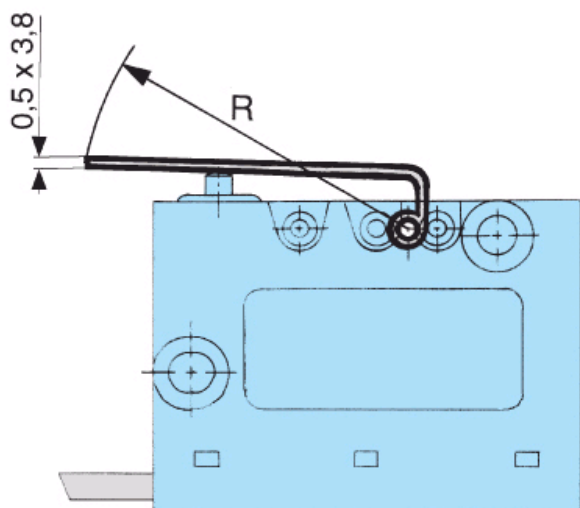
#### Levers type 161



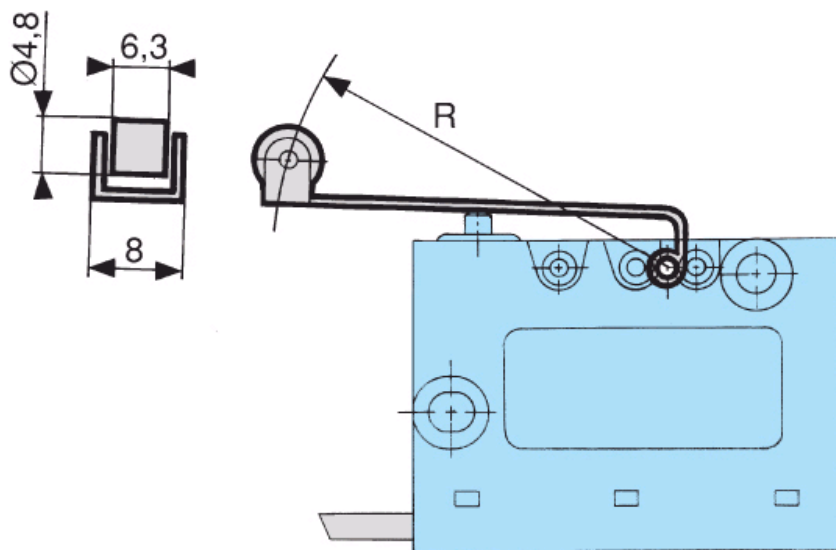
### Dimensions (mm)

#### Actuators

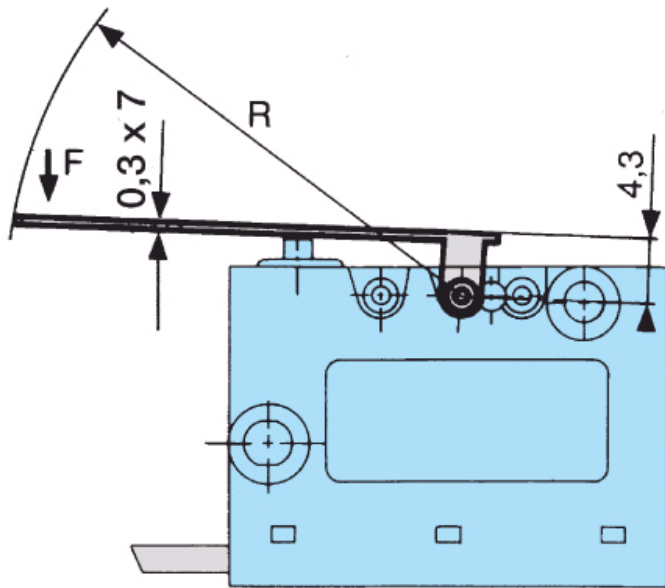
#### 139 AX

**Dimensions (mm)****Actuators**

139 EX

**Dimensions (mm)****Actuators**

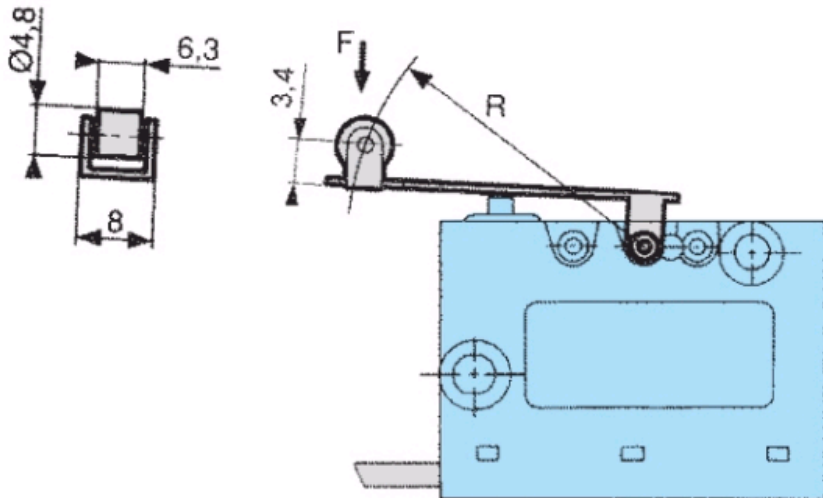
161 A



#### Dimensions (mm)

#### Actuators

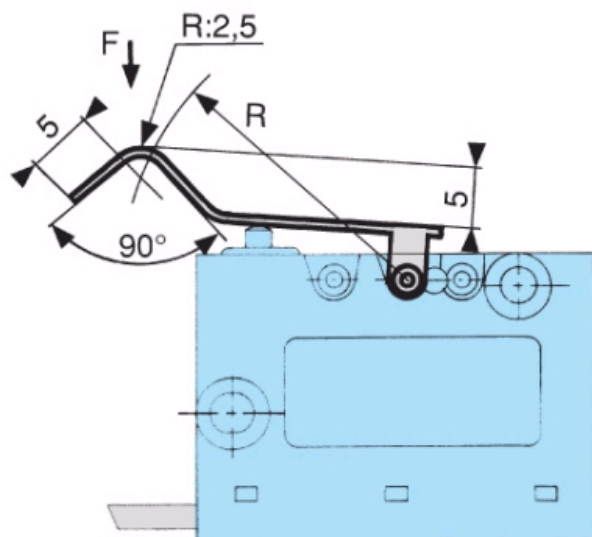
161 E



#### Dimensions (mm)

#### Actuators

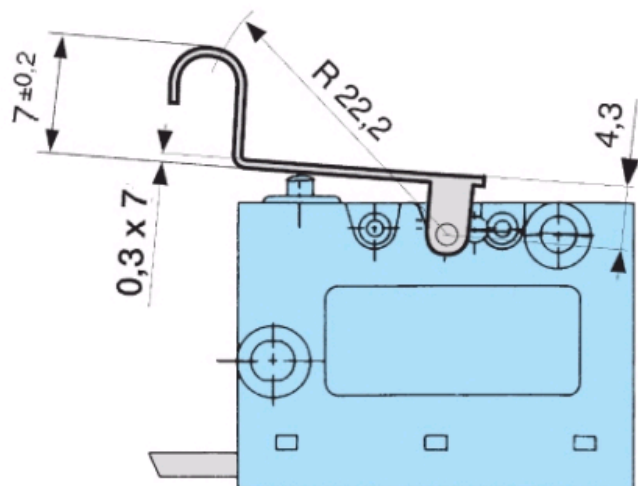
161 F



#### Dimensions (mm)

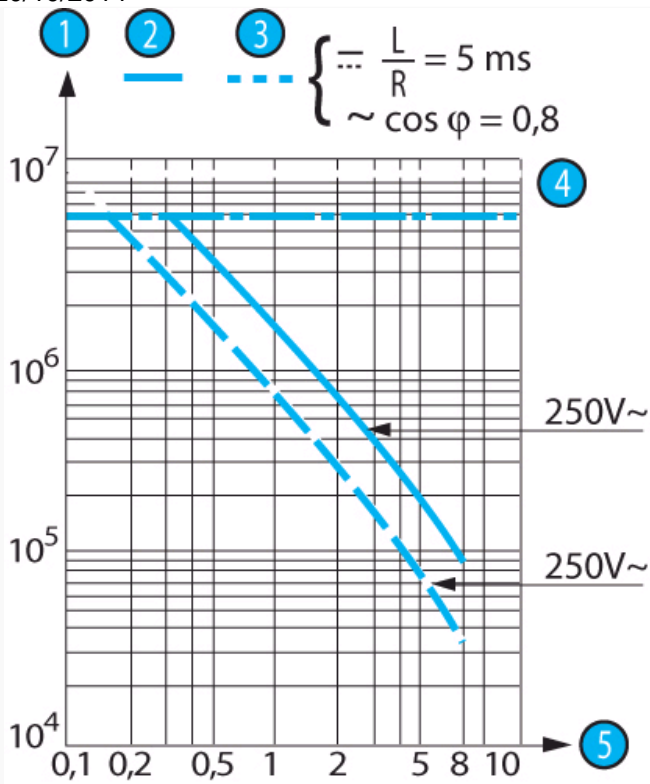
#### Actuators

161 G



#### Curves

Operating curve for type 831690



831698 and 831699 dual-current These models are designed to operate equally well on dual-current (1 mA 4 V minimum) or medium-current (5 A maximum) circuits. However, a given product should only be used to switch one type of circuit during its working life.

N°	Legend
①	Number of cycles
②	Resistive circuit
③	Inductive circuit
④	Mechanical life limit
⑤	Current in Amps

**Connections**

**Actuators and fixing positions**

Part numbers for standard actuators		79 215 740	70 507 524	79 215 742	70 507 529
Actuators	Flat 139 AX R29.7 mm**	Roller 139 EX R28.7 mm**	Flat 161A R14.2* - R25.4 mm*	Roller 161E R13.6* - R24.1 mm*	
Fixing position	D	D	A B	A B C	A B C
Operating force - max.	N	2.5	2.5 4.2	1.4 2.5 3.5	2.5 4.5
Release force - min.	N	0.4	0.5 1	0.25 0.5 0.6	0.5 1
Differential travel	mm	1.2 - 0.5	1.2 - 0.5	0.8 0.4	1.6 0.8 0.6
Part numbers for standard actuators		70 507 328	79 218 651		
Actuators	Flat 161F R22.3 mm*	Dummy roller 161 G*			
Fixing position	A B	A B			
Operating force - max.	N	1.5 2.6	1.5 2.6		
Release force - min.	N	0.25 0.5	0.25 0.5		
Differential travel	mm	16 0.8	16 0.8		

Unless mentioned specifically, flat and roller levers are supplied unassembled.

\* For factory mounting, specify mounting position A, B or C.

\*\* Supplied factory fitted

Note : We recommend greasing the switch pushbutton lightly when fitting actuators.

**Other information**

Unless otherwise specified, the characteristics given are applicable to all or part of the product range selected

**Mounting - Operation**

See basic technical concepts

**Product adaptations**



- Special levers
- Special leads, cables, cable harnesses
- Approval : UL - cUL