

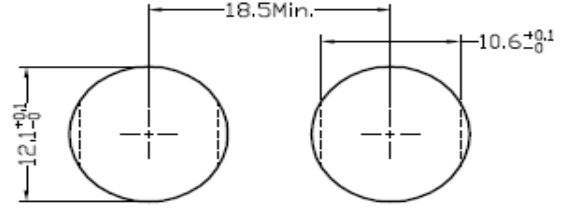
NOTE:

- MATERIAL AND FINISH
 - SHELL ASSEMBLY: COPPER ALLOY, OUTER SHELL AND COLLET NUT Cr PLATING, OTHER METALLIC COMPONENTS NI PLATING
 - INSULATOR: PEEK
 - CONTACT: COPPER ALLOY, GOLD PLATING
- RoHS COMPLIANCE
- PART NO.

No. OF CONTACTS	∅C	L
02,03.....07,08	0.7	3.0
10,14,16	0.5	4.0

CONTACT POS.	02-16=2pin-16pin
SHELL MATERIAL	0=Brass

CODE	KEY ANGLES
0	0
A	30°
B	60°
"	"

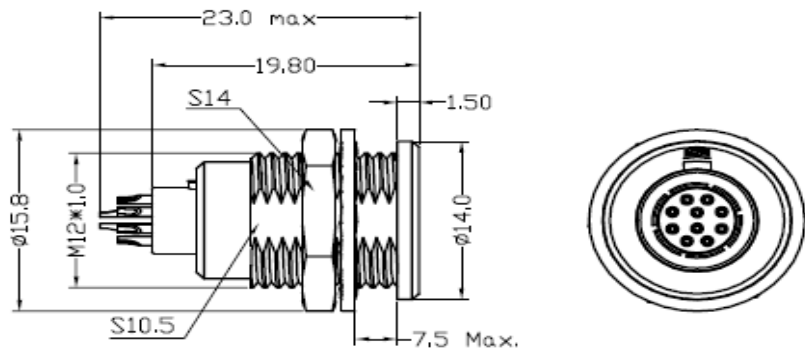


CODE	CONTACT TYPE
2	Male Solder Contact
4	Female Solder Contact
1	Male Print Contact
3	Female Print Contact
M	Crimp Female Contact
C	Crimp Male Contact

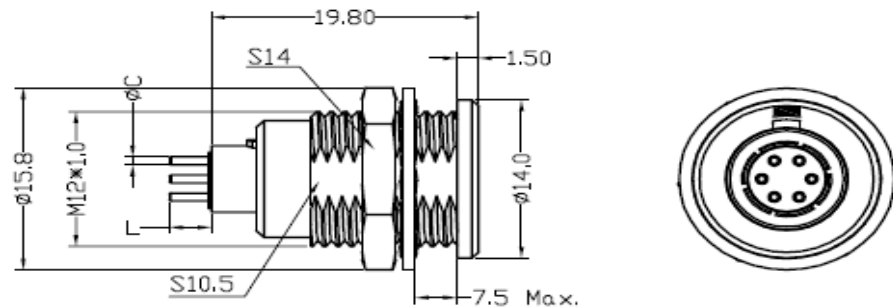
UNITS ■mm □INCH	NAME: SNAP LATCH METAL 1B FIXED SOCKET NUT FIXING	TITLE: CUSTOMER DWG.
GENERAL TOLERANCES: (UNLESS SPECIFIED)	APPD: Seawen 7/15'15	DWG NO: 010-0000-B26 C
4 PLACE ±.02 ±.02	CHKD: Peter 7/15'15	SCALE: 2.5/1
3 PLACE ±0.10 ±.02	DRAWN: Alex 7/15'15	SHEET: 1/4
2 PLACE ±0.30 ±.02		REV.: X2
1 PLACE ±0.50 ±.02		
ANGULAR: X*±2° X*±.02		

REV.	DESCRIPTION	DATE	APPD
X2	UPDATE RELEASE	7/15'15	Seawen

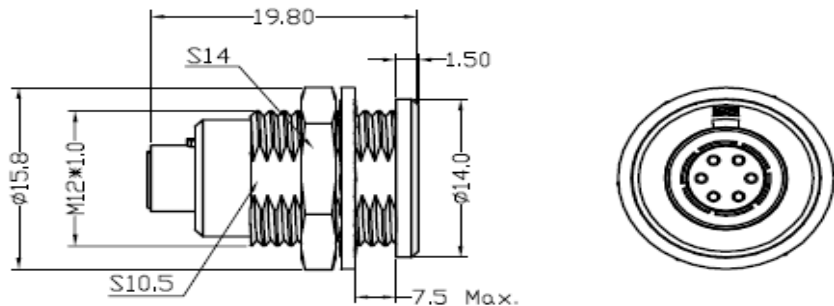
1B FIXED SOCKET SOLDER CONTACT TYPE VIEW



1B FIXED SOCKET PRINT CONTACT TYPE VIEW



1B FIXED SOCKET CRIMP CONTACT TYPE VIEW



UNITS

mm INCH

GENERAL TOLERANCES:
(UNLESS SPECIFIED)

	mm	INCH
4 PLACE	± **.05	± **.002
3 PLACE	± 0.10	± **.004
2 PLACE	± 0.30	± **.012
1 PLACE	± 0.50	± **.020
ANGULAR:	X° ± 2°	X° ± **.075

NAME: SNAP LATCH METAL
1B FIXED SOCKET
NUT FIXING

APPD: Seawen 7/15'15

CHKD: Peter 7/15'15

DRAWN: Alex 7/15'15

TITLE:
CUSTOMER DWG.

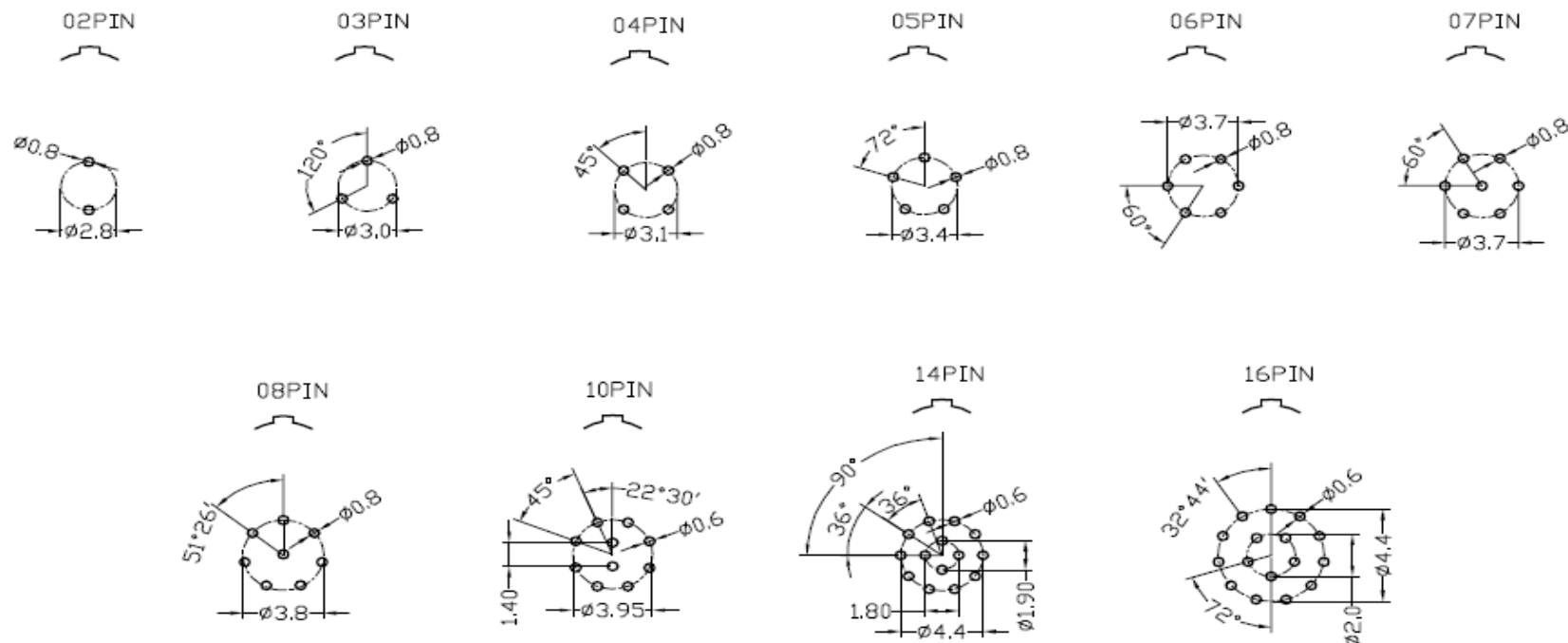
DWG NO:
010-0000-B26

SCALE: SHEET: REV.:
2.5/1 2/4 X2

REV.	DESCRIPTION	DATE	APPD
X2	UPDATE RELEASE	7/15'15	Seawen



PCB DRILLING PATTERN:

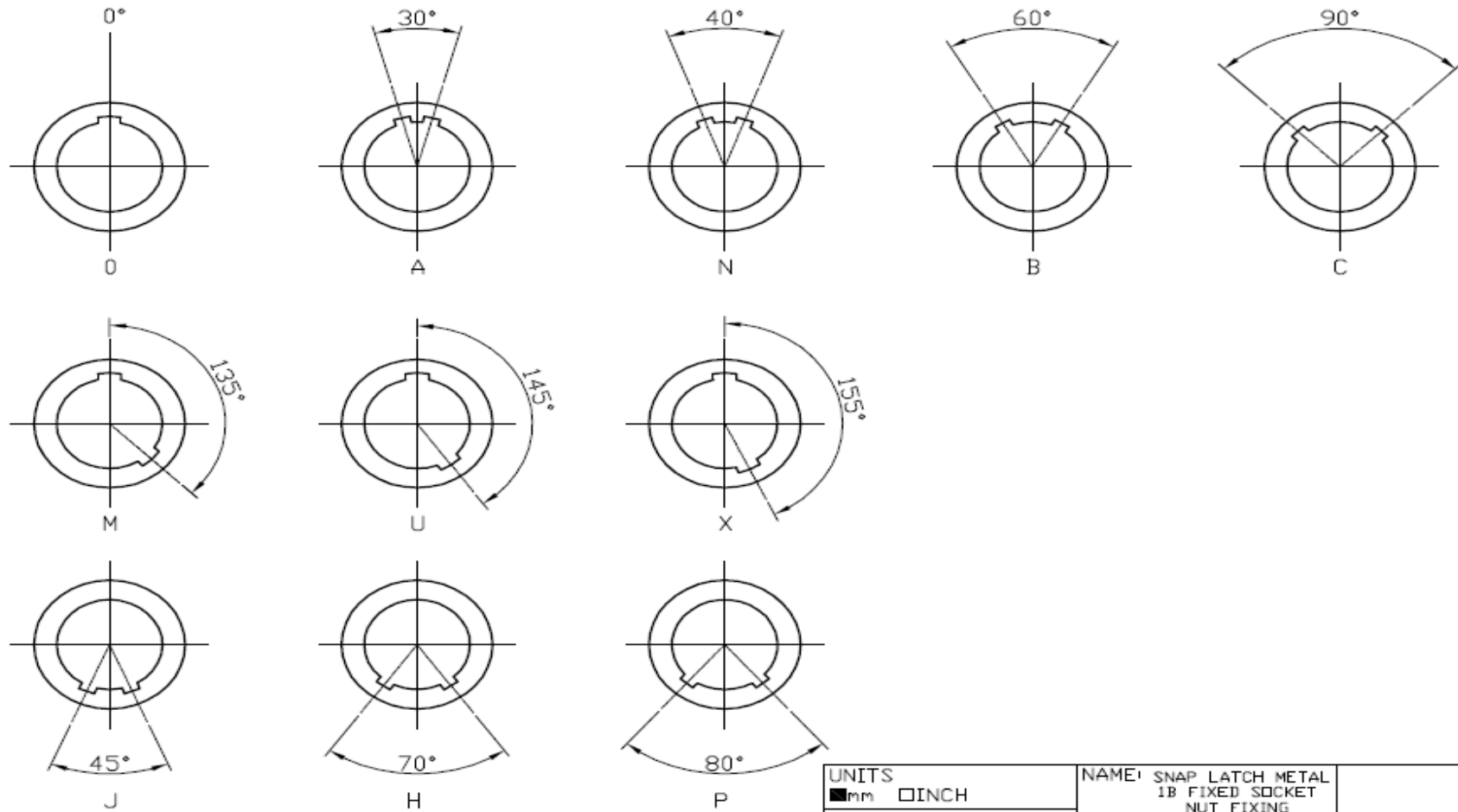


UNITS <input checked="" type="checkbox"/> mm <input type="checkbox"/> INCH		NAME: SNAP LATCH METAL 18 FIXED SOCKET NUT FIXING	
GENERAL TOLERANCES: (UNLESS SPECIFIED)		TITLE: CUSTOMER DWG.	
	mm	INCH	
4 PLACE	± **.10	± **.004	APPD: Seawen 7/15'15
3 PLACE	± 0.10	± **.004	CHKD: Peter 7/15'15
2 PLACE	± 0.30	± **.012	DRAWN: Alex 7/15'15
1 PLACE	± 0.50	± **.020	
ANGULAR:	X° ± 2°	X° ± **.075	

X2	UPDATE RELEASE	7/15'15	Seawen
REV.	DESCRIPTION	DATE	APPD



KEY ANGLES (RECEPTACLE FRONT VIEW)



UNITS		
■	mm	□ INCH
GENERAL TOLERANCES: (UNLESS SPECIFIED)		
	mm	INCH
4 PLACE	±.01	±.0005
3 PLACE	±.010	±.0004
2 PLACE	±.030	±.0015
1 PLACE	±.50	±.0020
ANGULAR	X°±2°	X°±.004

NAME:	SNAP LATCH METAL 1B FIXED SOCKET NUT FIXING
APPD:	Seawen 7/15/15
CHKD:	Peter 7/15/15
DRAWN:	Alex 7/15/15

TITLE:		
CUSTOMER DWG.		
DWG NO:	010-0000-B26	C
SCALE:	2.5/1	SHEET: 4/4
REV.:	X2	

X2	UPDATE RELEASE	7/15/15	Seawen
REV.	DESCRIPTION	DATE	APPD