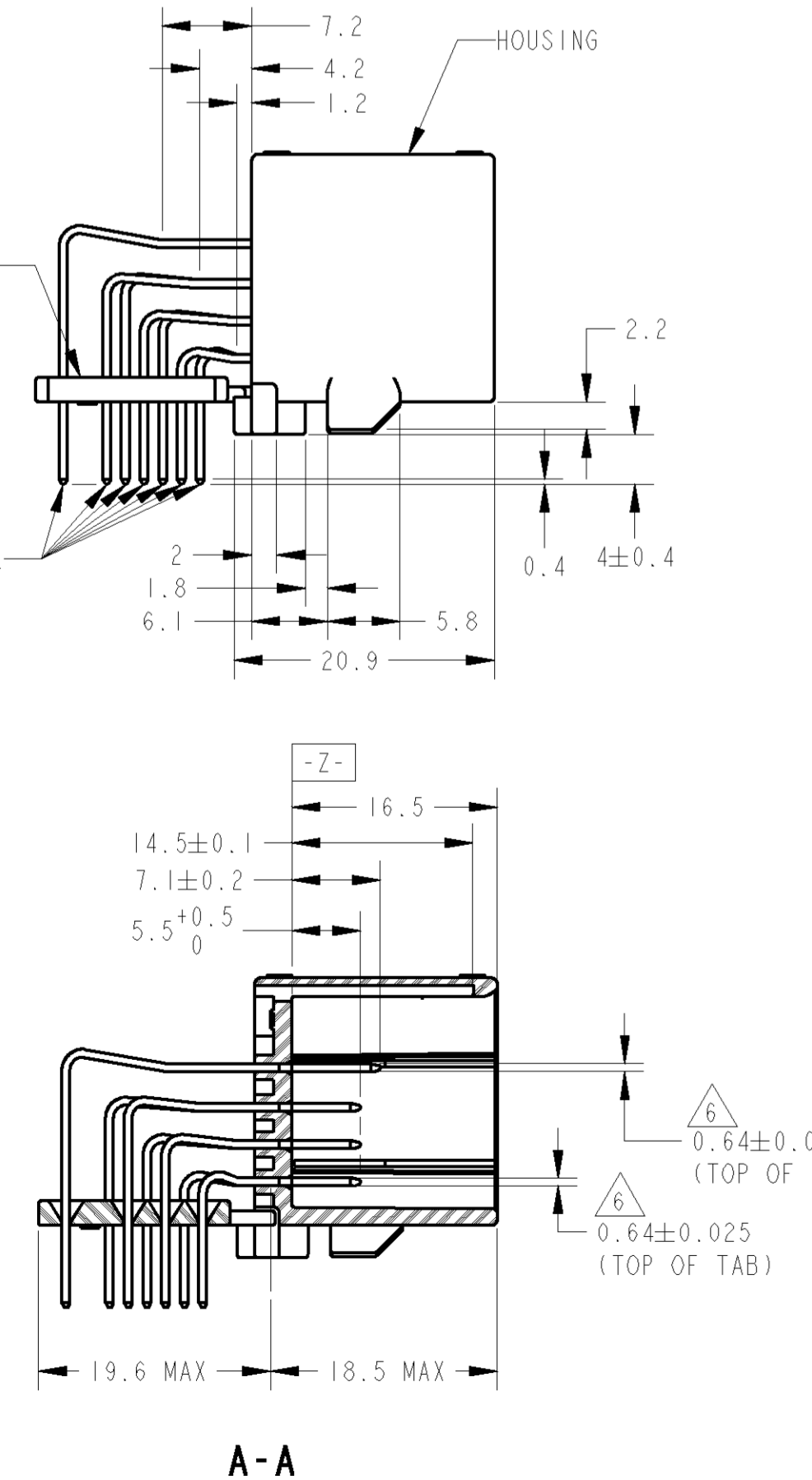
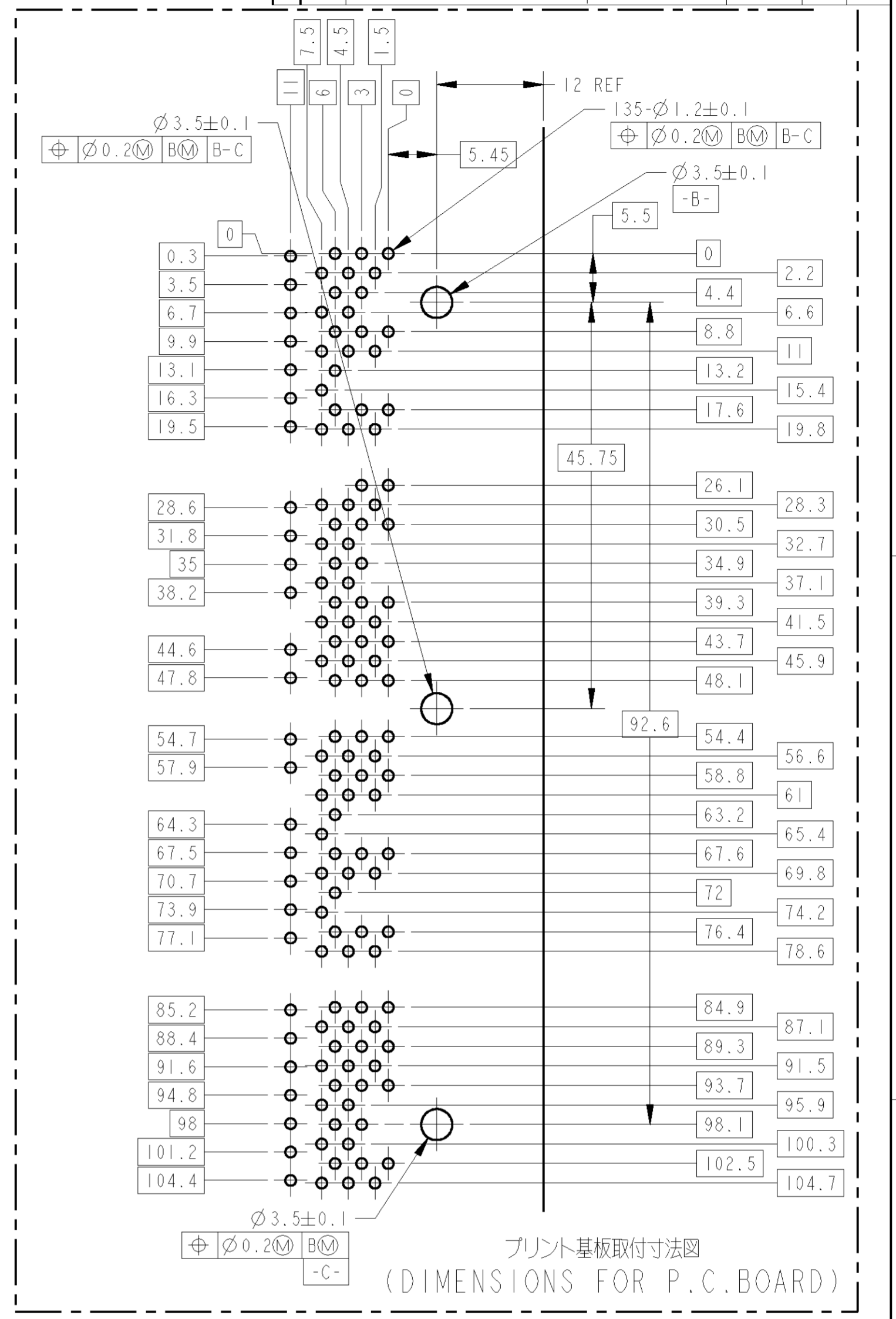
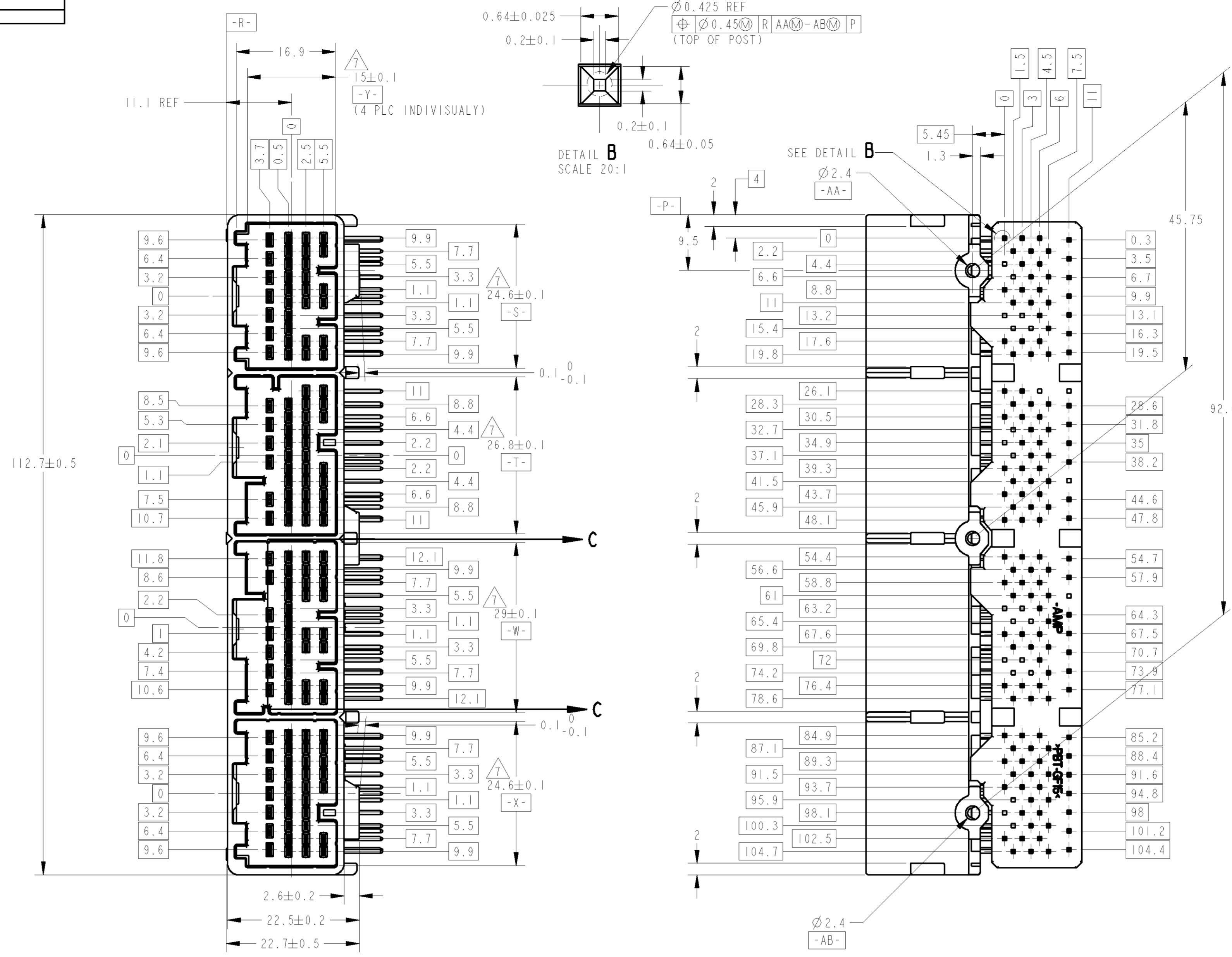
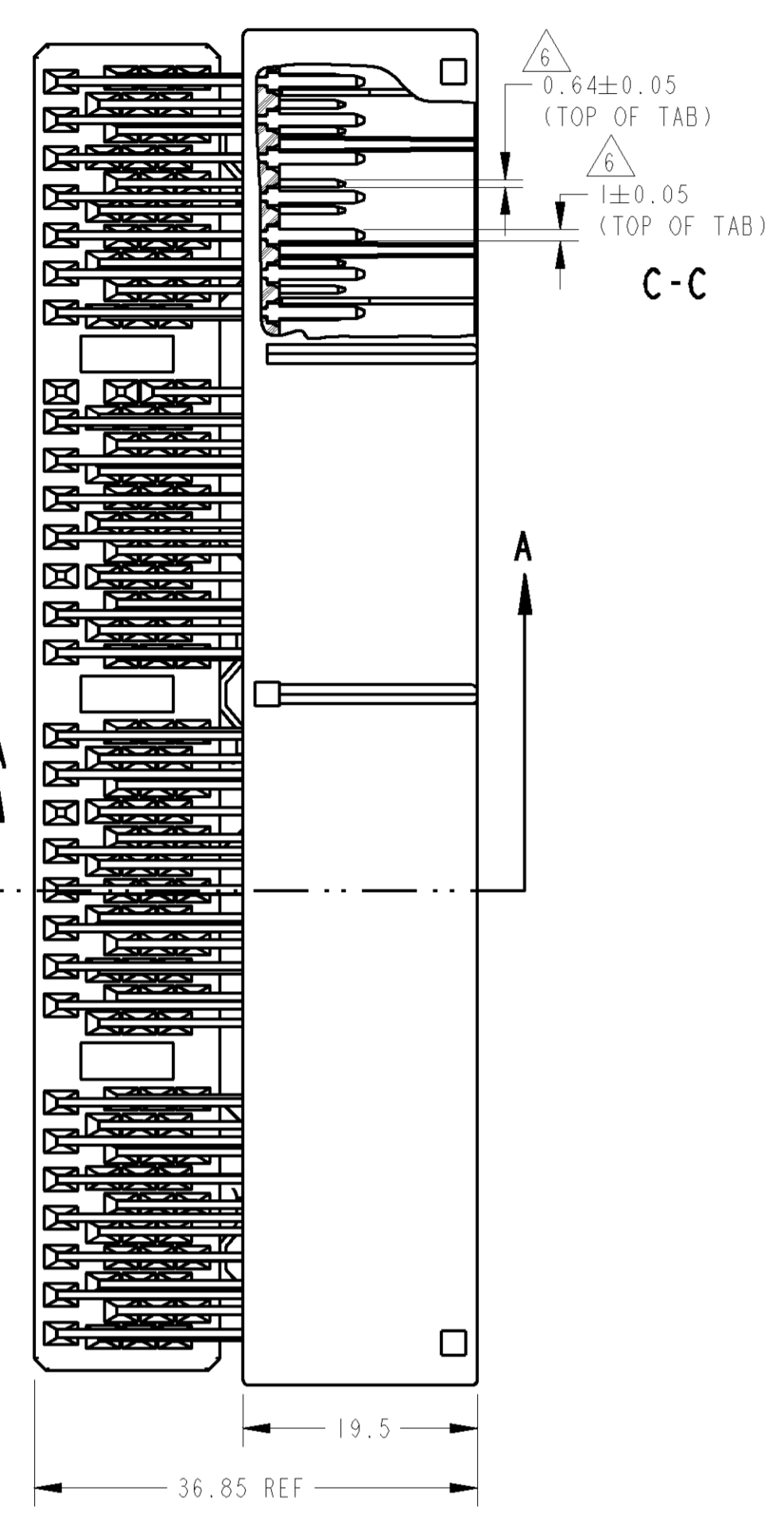


REV	DATE	BY	CHKD	DESCRIPTION
G2	3-1-0	TS	KB	ADDED 3-1-0
G3	3-1-1, 3-1-2	TS	KB	ADDED 3-1-1, 3-1-2



1. 嵌合相手ハウジング型番：TABLE -1参照
2. 回路番号：FIG 1 参照
3. 端子構成：FIG 1 参照
4. 推奨取り付け：JIS B1115, B1122タッピングねじ。ねじ2種、呼び径3。長さTABLE-2参照
5. ねじ締めトルク(参考値)：0.392N・m MAX
6. $\text{Ø} 0.3 \text{ (Z Y M DTM)}$ 包し。3次のDTMについては、-S-, -T-, -W-, -X- を各々のブロック毎に適用すること
7. -Z- より7.5mmの位置で測定
8. 接触不良時上のマーク；表参照
9. 取扱説明書 NO. ; 411-5932

1. PART NO OF PLUG HOUSINGS TO BE MATED : SEE TABLE -1
2. CIRCUIT NUMBERS ; SEE FIG 1
3. DETAIL OF TERMINAL SIZE ; SEE FIG 1
4. RECOMMENDED SCREW ; PAN-HEADED, TYPE 2 TAPPING SCREW. NOMINAL DIAMETER 3mm. LENGTH; SEE TABLE-2 (JIS B1115, B1122).
5. FASTENING TORQUE FOR SCREW(REF): 0.392N・m MAX.
6. $\text{Ø} 0.3 \text{ (Z Y M DTM)}$ TERTIARY DATUM; -S-, -T-, -W-, -X- OF EACH BLOCK.
7. MEASURED AT 7.5mm FROM -Z-
8. IDENTIFICATION MARK FOR THE CONTACT FINISH; SEE TABLE
9. INSTRUCTION SHEET NO.; 411-5932

TABLE-1

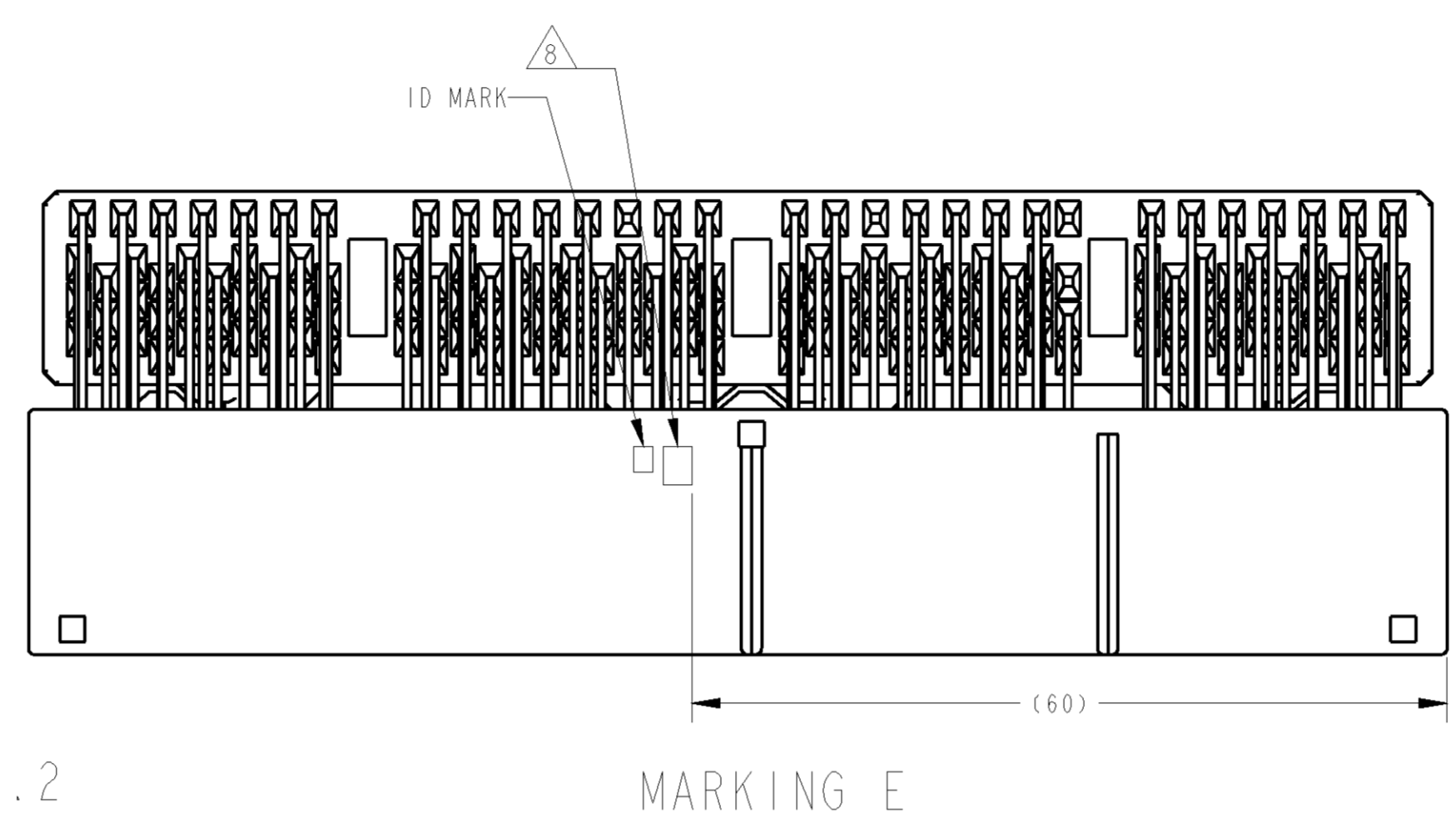
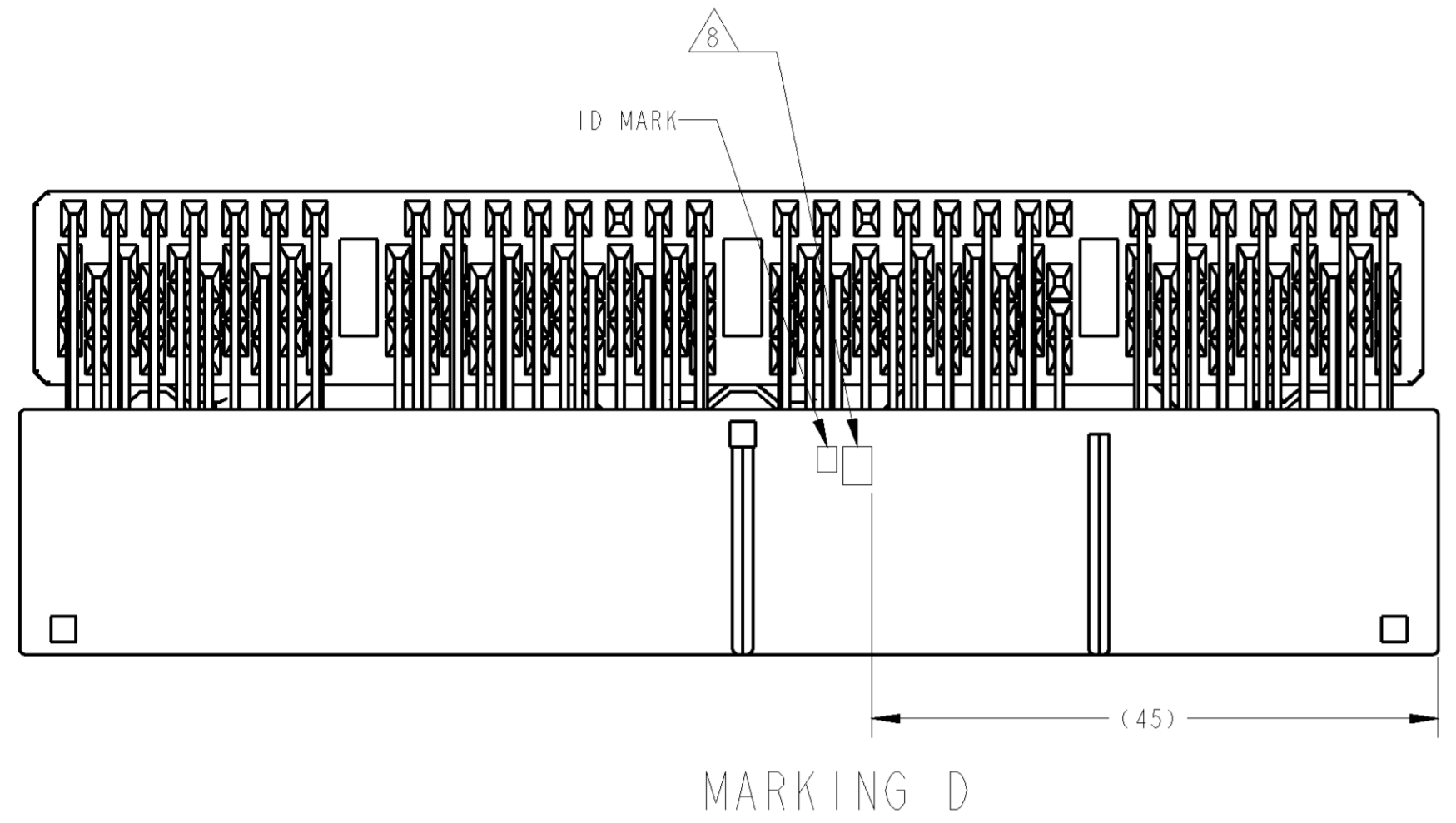
POS	PLUG HOUSING PART NUMBER
34	1123337 1674925
35	1123338 1674558
35	1123340 1674928
31	1123341 1674919

TABLE-2

プリンター基板板厚(mm) THICKNESS OF PCB(mm)	1.2	1.6
固定用ねじ長さ(mm) NOMINAL LENGTH OF SCREW(mm)	5	6

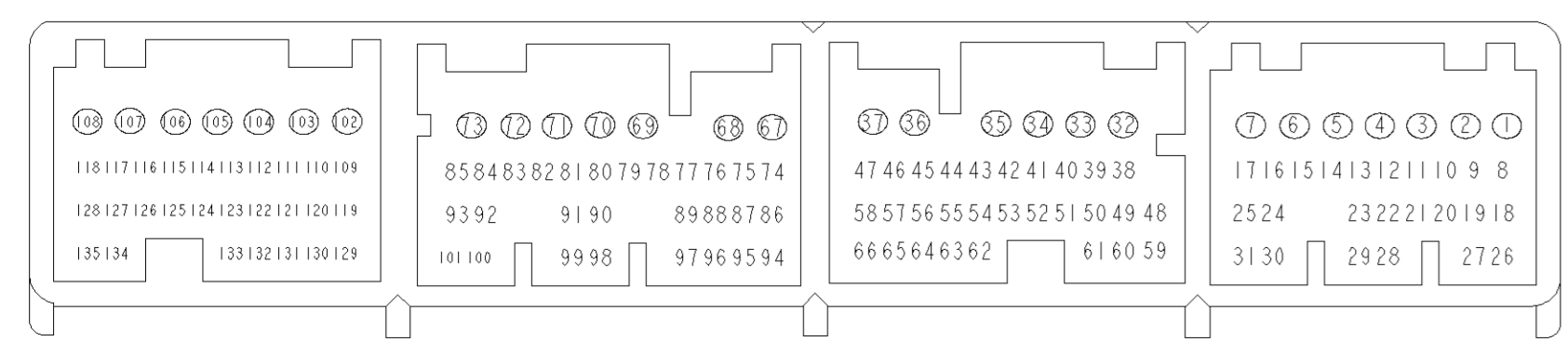
DIMENSIONS: UNIT: mm		TOLERANCES UNLESS OTHERWISE SPECIFIED: - DIMENSION ± 0.3 H-PLC ± 0.1 R-PLC ± 0.05 A-PLC ± 0.001 ANGLES °		DIMENSIONS: UNIT: mm	
MATERIAL: CONTACT: BRASS		FINISH: SEE TABLE		WEIGHT: SEE TABLE	
CUSTOMER DRAWING				TYCO ELECTRONICS CORPORATION Kawasaki, Japan	
PRODUCT SPEC 108-5674				APPLICATION SPEC 114-5217, 5250	
025/040 ECU CONNECTOR 135 POSITION CAP HOUSING ASSEMBLY				SIZE: A11 CASE CODE: 00779 DRAWING NO: C-1376430	
SHEET 2 OF 3				REV. G3	

LOC	DIST	REVISIONS				
		REV	DATE	BY	APPV	
J	-	1				
		SEE SHEET 1 OF 3				



△ FIG.2

LOC	DIST	REV	DATE	BY	APPV	DESCRIPTION	ECR	DATE	OWN	APVD								
E	C					PAPER BOX タンポール箱	PLASTIC TUBE プラスチックチューブ	35	-	SELECTIVE TIN (MATTE)	SELECTIVE TIN (BRIGHT) x 125 SELECTIVE GOLD x 10	-	87,88,89,95,96,97 119,120,129,130	PBT	BLACK	SPS	NATURAL	3-1376430-2
E	C					PLASTIC BOX 通い箱	PLASTIC TUBE プラスチックチューブ	35	-	SELECTIVE TIN (MATTE)	SELECTIVE TIN (BRIGHT) x 125 SELECTIVE GOLD x 10	-	87,88,89,95,96,97 119,120,129,130	PBT	BLACK	SPS	NATURAL	3-1376430-1
D	15					PAPER BOX タンポール箱	PLASTIC TUBE プラスチックチューブ	39	-	SELECTIVE TIN (MATTE)	SELECTIVE GOLD x 135	1 TO 7,32 TO 37 67 TO 73,102 TO 108	8 TO 31,38 TO 66 74 TO 101,109 TO 135	PBT	NATURAL	PBT	NATURAL	3-1376430-0
D	14					PLASTIC BOX 通い箱	PLASTIC TUBE プラスチックチューブ		-	SELECTIVE TIN (MATTE)	SELECTIVE TIN (BRIGHT) x 125 SELECTIVE GOLD x 10	-	87,88,89,95,96,97 119,120,129,130	PBT	NATURAL	PBT	NATURAL	2-1376430-8
D	13					PAPER BOX タンポール箱	PLASTIC TUBE プラスチックチューブ		-	SELECTIVE TIN (MATTE)	SELECTIVE TIN (BRIGHT) x 125 SELECTIVE GOLD x 10	-	23,24,25,31,48,49 51,59,60,63	PBT	NATURAL	PBT	NATURAL	2-1376430-7
OBSOLETE	D	12				PLASTIC BOX 通い箱	PLASTIC TUBE プラスチックチューブ		-	SELECTIVE TIN (MATTE)	SELECTIVE TIN (BRIGHT) x 129 SELECTIVE GOLD x 6	-	49,54,55,60,88,89	PBT	NATURAL	PBT	NATURAL	2-1376430-6
OBSOLETE	D	11				PLASTIC BOX 通い箱	PLASTIC TUBE プラスチックチューブ	39	-	SELECTIVE TIN (MATTE)	SELECTIVE TIN (BRIGHT) x 129 SELECTIVE GOLD x 6	-	46,48,49,59,60,65	PBT	NATURAL	PBT	NATURAL	2-1376430-5
D	10					PAPER BOX タンポール箱	PLASTIC TUBE プラスチックチューブ		-	SELECTIVE TIN (MATTE)	SELECTIVE TIN (BRIGHT) x 127 SELECTIVE GOLD x 8	-	23 TO 25 29 TO 31,48, 49	PBT	NATURAL	PBT	NATURAL	2-1376430-4
E	61					PAPER BOX タンポール箱	PLASTIC TUBE プラスチックチューブ		-	SELECTIVE TIN (MATTE)	SELECTIVE TIN (BRIGHT) x 68 SELECTIVE TIN (BRIGHT) x 67	67,68	18 TO 31,48 TO 66 86 TO 101,119 TO 135	PBT	NATURAL	PBT	NATURAL	6376430-2
E	1					PLASTIC BOX 通い箱	PLASTIC TUBE プラスチックチューブ		-	SELECTIVE TIN (MATTE)	SELECTIVE TIN (BRIGHT) x 68 SELECTIVE TIN (BRIGHT) x 67	67,68	18 TO 31,48 TO 66 86 TO 101,119 TO 135	PBT	NATURAL	PBT	NATURAL	6376430-1
OBSOLETE	D	0				PAPER BOX タンポール箱	PLASTIC TUBE プラスチックチューブ		-	SELECTIVE TIN	PRE-TIN x 125 SELECTIVE GOLD x 10	-	23,24,25,31,48,49 51,59,60,63	PBT	NATURAL	PBT	NATURAL	2-1376430-0
SEE DRAWING 1-1376430-7																		
SEE DRAWING 2-1376430-1																		
D	A					PAPER BOX タンポール箱	PLASTIC TUBE プラスチックチューブ	39	-	PRE-TIN	PRE-TIN x 135	-	-	PBT	NATURAL	PBT	NATURAL	1-1376430-8
SEE DRAWING 1-1376430-6																		
OBSOLETE	D	8				PLASTIC BOX 通い箱	PLASTIC TUBE プラスチックチューブ		-	SELECTIVE TIN	PRE-TIN x 69 TIN-LEAD	-	18 TO 31,48 TO 66 86 TO 101,119 TO 135	PBT	NATURAL	SPS	BLACK	1-1376430-5
D	7					PLASTIC BOX 通い箱	PLASTIC TUBE プラスチックチューブ	35	-	SELECTIVE TIN	PRE-TIN x 69 SELECTIVE GOLD x 66	-	18 TO 31,48 TO 66 86 TO 101,119 TO 135	PBT	NATURAL	SPS	BLACK	1-1376430-1
D	9 ₁					PLASTIC BOX 通い箱	PLASTIC TUBE プラスチックチューブ		-	SELECTIVE TIN (MATTE)	SELECTIVE TIN (BRIGHT) x 129 SELECTIVE GOLD x 6	-	49,54,55,60,88,89	PBT	NATURAL	PBT	NATURAL	1-1376430-3
D	6 ₁					PLASTIC BOX 通い箱	PLASTIC TUBE プラスチックチューブ	39	-	SELECTIVE TIN (MATTE)	SELECTIVE TIN (BRIGHT) x 129 SELECTIVE GOLD x 6	-	46,48,49,59,60,65	PBT	NATURAL	PBT	NATURAL	1-1376430-2
D	3					PAPER BOX タンポール箱	PLASTIC TUBE プラスチックチューブ		-	SAME AS 1376430-5								
D	5					PAPER BOX タンポール箱	PLASTIC TUBE プラスチックチューブ	39	-	SELECTIVE TIN	PRE-TIN x 127 SELECTIVE GOLD x 8	-	23 TO 25 29 TO 31,48, 49	PBT	NATURAL	PBT	NATURAL	1376430-7
D	4					PLASTIC BOX 通い箱	PLASTIC TUBE プラスチックチューブ	34	18 TO 25,48 TO 58 86 TO 93,119 TO 128	PRE-TIN x 98		-	-	PBT	NATURAL	PBT	NATURAL	1376430-6
D	3					PLASTIC BOX 通い箱	PLASTIC TUBE プラスチックチューブ	39	-	PRE-TIN x 135		-	-	PBT	NATURAL	PBT	NATURAL	1376430-5
OBSOLETE	D	1				PAPER BOX タンポール箱	PLASTIC TUBE プラスチックチューブ		-	TIN-LEAD	SELECTIVE GOLD x 68	67,68	18 TO 31,48 TO 66 86 TO 101,119 TO 135	PBT	NATURAL	PBT	NATURAL	1376430-2
D	1					PLASTIC BOX 通い箱	PLASTIC TUBE プラスチックチューブ	39	-	SELECTIVE TIN	PRE-TIN x 67	67,68	18 TO 31,48 TO 66 86 TO 101,119 TO 135	PBT	NATURAL	PBT	NATURAL	1376430-1



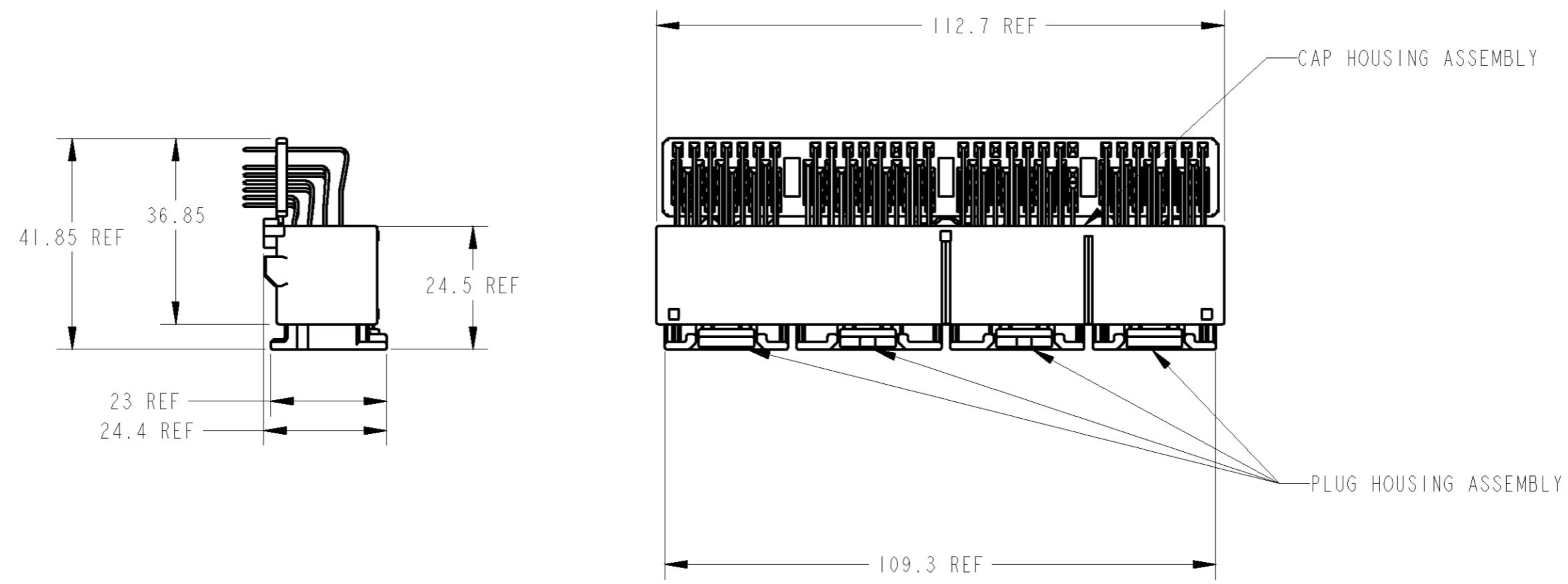
△, △ FIG.1 O:040 CONTACT

LOCATION 位置	CHARACTER 文字	OUTER 外表	INNER 内装	WEIGHT (g)	NO CONTACT CIRCUIT NO 欠番 △	CONTACT FINISH コンタクト仕上	GOLD PLATED CIRCUIT NO 金のついで回路番号	TINE PLATE タインプレート	HOUSING ハウジング	PART NUMBER 部品番号
MARKING マーキング	△	PACKING STYLE 梱包形態								

DIMENSIONS: 単位: ㎜ mm	TOLERANCES UNLESS OTHERWISE SPECIFIED: 公差: ㎜ mm 3-PLC ±0.3 4-PLC ±0.1 5-PLC ±0.05 6-PLC ±0.05 7-PLC ±0.05 8-PLC ±0.05 9-PLC ±0.05 10-PLC ±0.05	DWN CHK APVD NAME PRODUCT SPEC APPLICATION SPEC SEE 1 OF 3 APPLICATION SPEC SEE 1 OF 3 WEIGHT SEE TABLE SEE 1 OF 3	Tyco Electronics Corporation Kawasaki, Japan 025/040 ECU CONNECTOR 135 POSITION CAP HOUSING ASSEMBLY SIZE CASE CODE DRAWING NO A1 00779 1376430 SHEET 2 OF 3 REV G3
----------------------------	---	--	---

THIS DRAWING IS UNPUBLISHED. RELEASED FOR PUBLICATION
 © COPYRIGHT 2000 BY TYCO ELECTRONICS CORPORATION. ALL RIGHTS RESERVED.

LOC J	LIST X	P	LTR	REVISIONS 変更	DATE	DWN	APVD
				DESCRIPTION			
				SEE SHEET 1 OF 3			



CAP HOUSING ASSEMBLY & PLUG HOUSING ASSEMBLY ENGAGEMENT VIEW
CAP HOUSING ASSEMBLY & PLUG HOUSING ASSEMBLY 嵌合図

THIS DRAWING IS A CONTROLLED DOCUMENT FOR TYCO ELECTRONICS CORPORATION. IT IS SUBJECT TO CHANGE AND THE CONTROLLING ENGINEERING ORGANIZATION SHOULD BE CONTACTED FOR THE LATEST REVISION.		DWN X	Tyco Electronics Corporation Kawasaki, Japan	
DIMENSIONS: 単位: ㎜ mm		CHK X	NAME 名称 025/040 ECU CONNECTOR 135 POSITION CAP HOUSING ASSEMBLY	
TOLERANCES UNLESS OTHERWISE SPECIFIED: 一般公差 = ±0.3		APVD X	PRODUCT SPEC 製品規格 SEE 1 OF 3	
<ul style="list-style-type: none"> 0-PLC ± 1-PLC ±0.1 2-PLC ±0.05 3-PLC ±0.025 4-PLC ±0.000J ANGLES ±3 		APPLICATION SPEC 取付適用規格 SEE 1 OF 3		
MATERIAL 材料 SEE TABLE	FINISH 仕上 SEE TABLE	WEIGHT 重量 SEE TABLE	SIZE 寸法 A3	CAGE CODE 番号 00779
CUSTOMER DRAWING			DRAWING NO. 番号 C=1376430	RESTRICTED TO 制限 X
			SCALE 尺度 1:1	SHEET 番 3 OF 3
			REV 改訂 G3	