

1) PER RAPPRESENTAZIONE DIMA CONTROPARTE VEDERE FOGLIO 2 DI 2.
 (FOR COUNTERPART DETAIL SEE SEET 2 OF 2)

GRIGIO (GREY)	PA 6.6 CAR. VETRO	282087-2
NERO (BLACK)	(PA 6.6 G.F.)	282087-1
FINITURA / COLORE (FINISH / COLOUR)	MATERIALE (MATERIAL)	NUMERO (PART NUMBER)

CUSTOMER DWG. FOR REFERENCE ONLY DISEGNO PER CLIENTE SOLO PER RIFERIMENTO

THIS DRAWING IS UNPUBLISHED RELEASE FOR PUBLICATION 19

© COPYRIGHT 19 BY AMP INCORPORATED, HARRISBURG, PA. ALL INTERNATIONAL RIGHT RESERVED. AMP PRODUCTS MAY BE COVERED BY U.S. AND FOREIGN PATENT AND/OR PATENT PENDING

REV.	REVISIONI	DIS. DATA
B1	REVISED FOR ET00-0072-98	M.P. 7-4-98
B	UP-DATED ET00-0490-97	10-12-97
A1	UP-DATED (ET00-0342-96)	
A	SEE SHEET 2 of 2	
5	UP-DATED	
4	ADDED PN ...-2	
3	UP-DATED	
2	UP-DATED	
REV.	REVISIONI	DIS. DATA

TOLLERANZE, SE NON DIVERSAMENTE SPECIFICATO (TOLERANCES, UNLESS OTHERWISE SPECIFIED)	DIAM. ISOLANTE (INS. DIA. RANGE)	RANGO FILO (WIRE RANGE)	SCALA (SCALE)
± 0.3			
ANGOLI (ANGLES)	AMP ITALIA S.p.A. Corso F.lli Cervi, 15 COLLEGNO (TORINO)		
DIS. C. BERTINI (DR.)	DESCRIZIONE (DESCRIPTION) 3 POS. PLUG ASS'Y		
CONT. (CHK)	AMP SUPERSEAL 1.5 SERIES CONNECTORS		
APP. (APP.)	LOC. SIZE NUMERO (DWG NO)	REV.	FOGLIO (SHEET)
	ITA	C-282087 R1	1 DI 2

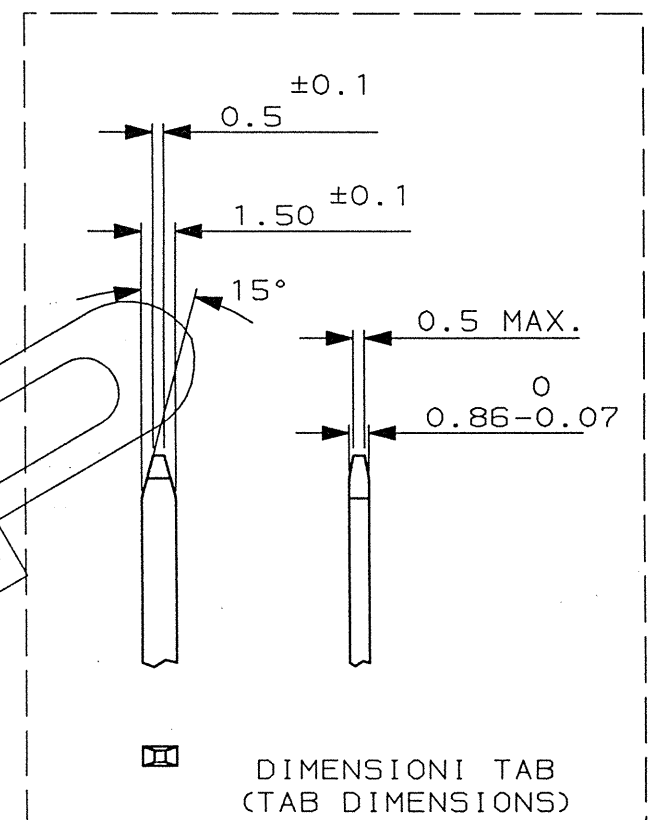
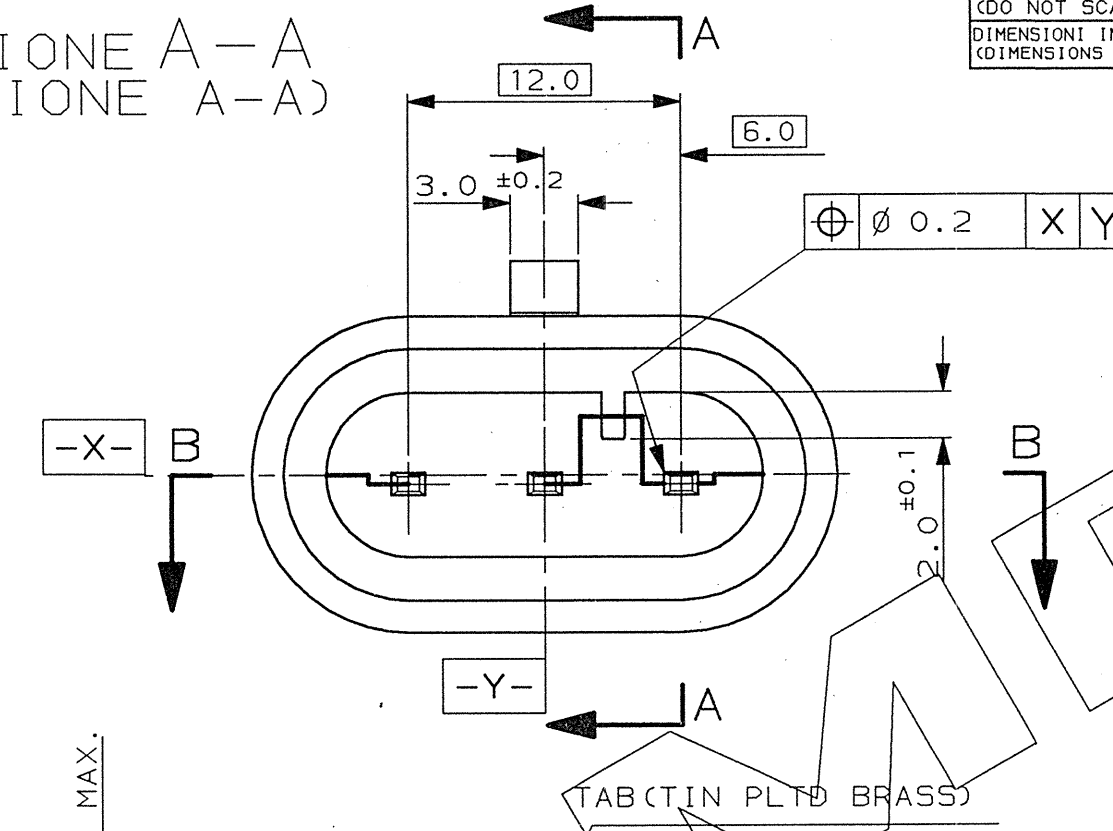
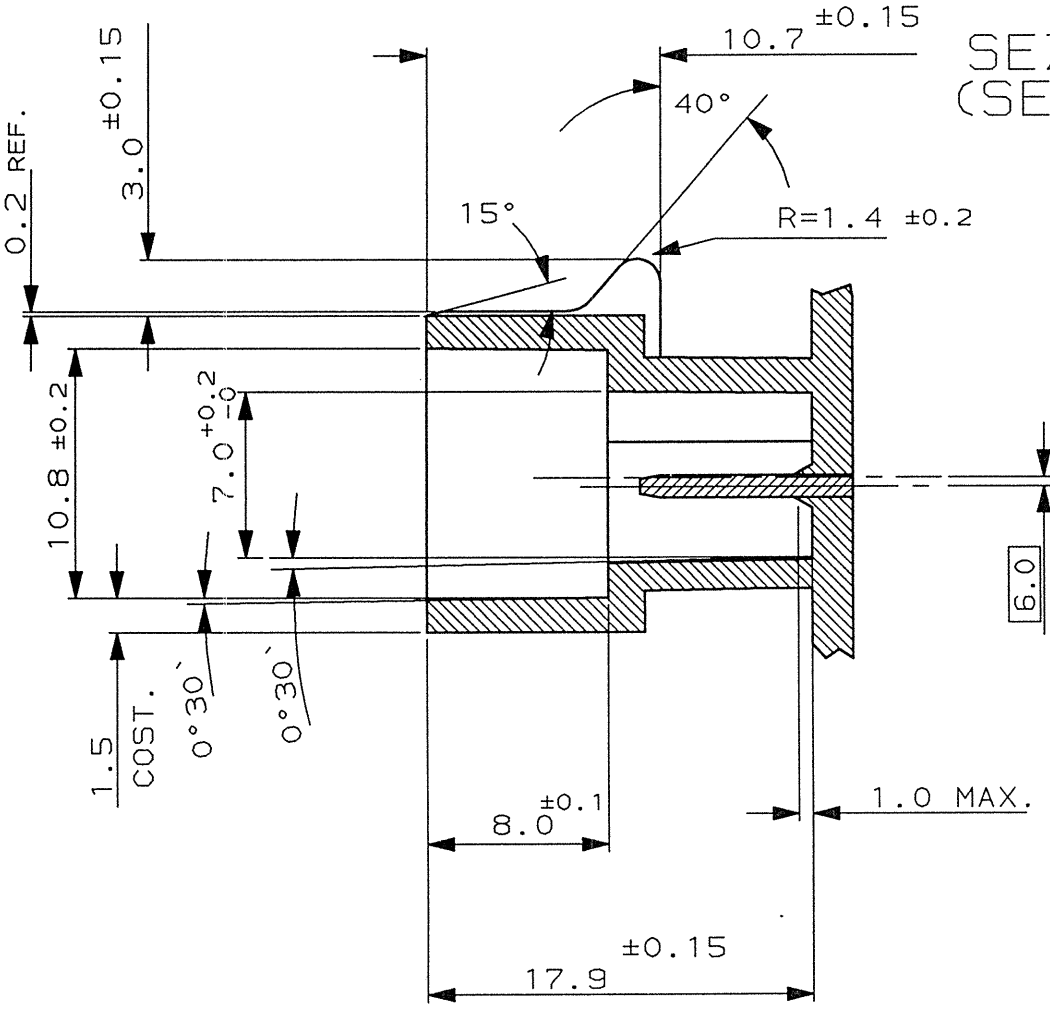
TRIBUZIONE INT. DIST.

SCALA NON IMPEGNATIVA
(DO NOT SCALE)
DIMENSIONI IN mm
(DIMENSIONS IN mm)

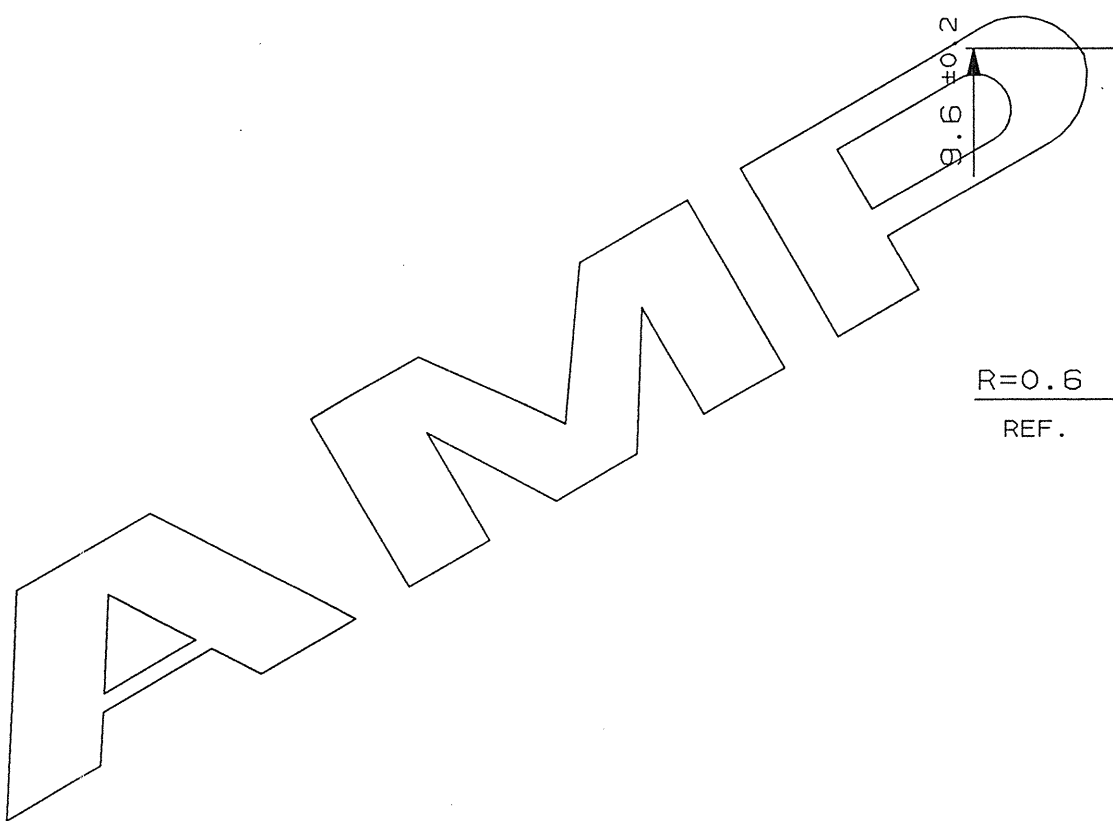
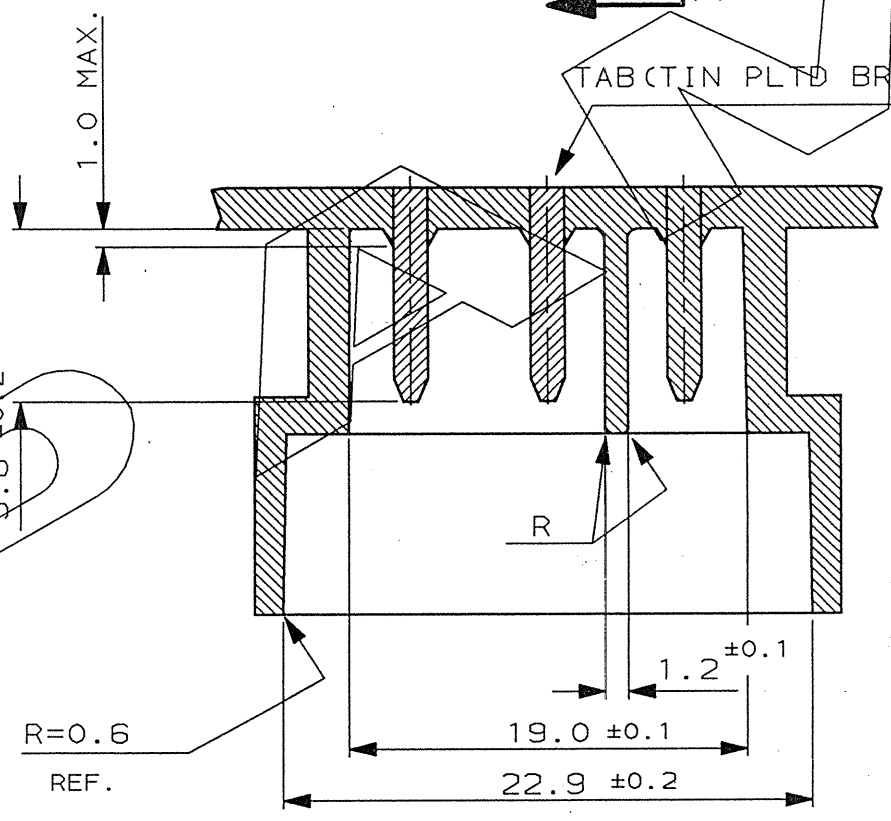
METRIC

PROIEZIONE EUROPEA
(EUROPEAN PROJECTION)

SEZIONE A-A
(SEZIONE A-A)



SEZIONE B-B
(SEZIONE B-B)



PA 6.6 CAR. VETRO (PA 6.6 G.F.)		NUMERO (PART NUMBER)	
FINITURA / COLORE (FINISH / COLOUR)		MATERIALE (MATERIAL)	
CUSTOMER DWG. FOR REFERENCE ONLY		DISEGNO PER CLIENTE SOLO PER RIFERIMENTO	
THIS DRAWING IS UNPUBLISHED		RELEASE FOR PUBLICATION	
© COPYRIGHT 19 BY AMP INCORPORATED, HARRISBURG, PA. ALL INTERNATIONAL RIGHT RESERVED. AMP PRODUCTS MAY BE COVERED BY U.S. AND FOREIGN PATENT AND/OR PATENT PENDING			
TOLLERANZE, SE NON DIVERSAMENTE SPECIFICATO (TOLERANCES, UNLESS OTHERWISE SPECIFIED)		DIAM. ISOLANTE (INS. DIA. RANGE)	
± 0.3		RANGO FILO (WIRE RANGE)	
ANGOLI (ANGLES)		SCALA (SCALE)	
± 12°		AMP	
DIS. C. BERTINI (DR.)		AMP ITALIA S.p.A. Corso F.lli Cervi, 15 COLLENO (TORINO)	
VEDERE FOGLIO 1 DI 2 (SEE SHEET 1 OF 2)		DESCRIZIONE (DESCRIPTION)	
CONF. (CHK)		COUNTERPART FOR THREE POS. REC. HSG. ASS'Y	
APP. (APP.)		LOC. SIZE NUMERO (DWG NO)	
REV. REVISIONI		REV. FOGLIO (SHEET)	
DIS. DATA		APP. (APP.)	
		AMP 0-282087 - 2 DI 2	

STRIUZIONE
PRINT DIST.