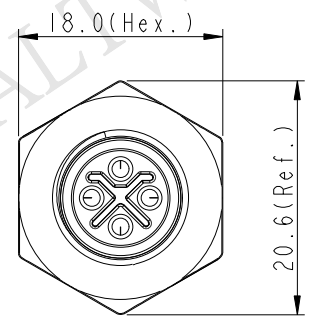
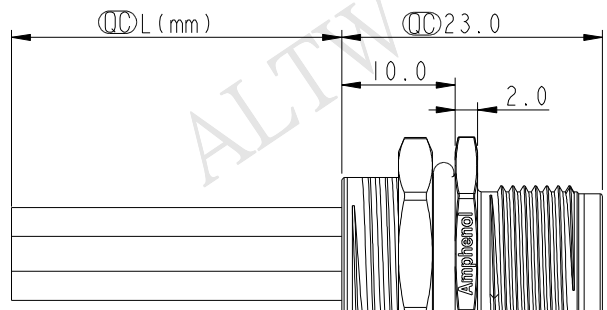
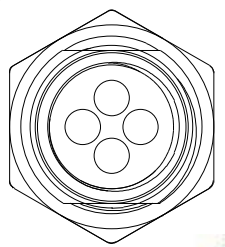
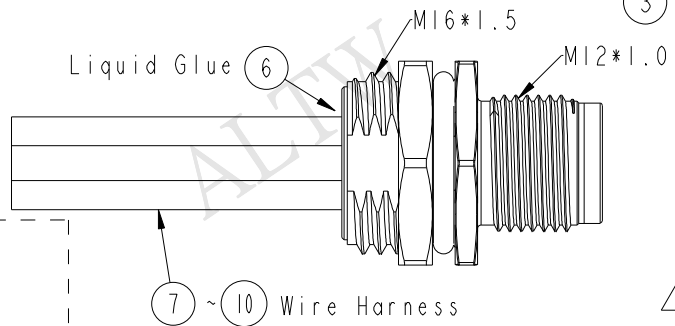


REV.	ECN NO.	DATE	SIGN	DESCRIPTION
A	Initial Release	2015/09/07	Cary	Change Rev. 01 to Rev.A
B	LE317A0008-0009	2017-10-09	Feng_Li	Update The Note

**ALTW**  
CONFIDENTIAL  
2017-10-09  
R&D DEPT.



① Connector  
② Male Pin  
③ Shield  
④ O-Ring  
⑤ Screw Nut



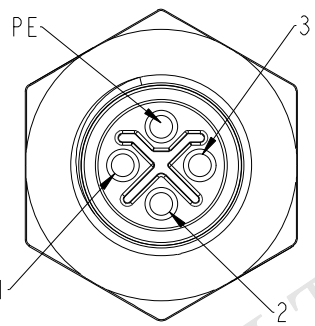
⑦ ~ ⑩ Wire Harness

**ALTW**  
DCC. DEPT.  
CONFIDENTIAL  
2017.10.30  
ISSUED

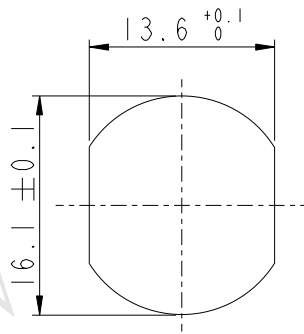
M12S-04PMMS-SH8CXX

XX: 150~1500mm  
15: 150mm  
30: 300mm  
50: 500mm  
A0: 1000mm  
A5: 1500mm  
Wire Length(L): 150~1500mm

- Note:
- \*  $\varnothing$  Important Dimension.
  - \* Waterproof Rate: IP68.
  - IP68: 1M Depth Of Water In 24hours.
  - \* Housing: Nylon+GF, UL94V-0, Black.
  - \* Male Pin: Copper Alloy, Gold Plated.
  - \* Shield: Zinc Alloy, Nickel Plated.
  - \* Panel Nut: Zinc Alloy, Nickel Plated.
  - \* O-Ring: Viton, Black.
  - \* Wire Harness: UL1015 16AWG(1.5mm<sup>2</sup>).
  - \* Rated Voltage: 630V AC
  - \* Rated Current at 40°C: 12A
  - \* Operation Temperature: -40~85°C.
  - \* For Panel Thickness Max 4.5mm.
  - \* Nut Torque: 4-6 Kgf.cm(0.4~0.6N.m).
  - \* Wire harness Tolerance: 150~300 ±15mm  
301~1000 ±20mm  
Over1000 ±40mm



Pin Assignment  
Front View



Recommended  
Panel Cut-Out

PE	Black	黑
3	Blue	藍
2	White	白
1	Brown	棕
Conn.	Wire Color	Pin Out

UNIT:mm

TOLERANCE	
.X	±0.25
.XX	±0.1
.XXX	±0.05
ANGLES	±1°

TITLE			
M12 S-Code 4Pin Male Type			
SCALE	1:1	SIZE	A4
REV.	B	WC-REV.	A.1
SHEET 1 OF 1			
③: Inspection item			

**Amphenol LTW**  
安費諾亮泰企業股份有限公司

ITEM NO	DRAWN BY	DATE
	Feng_Li	2017-10-09
DWG NO	CHECKED BY	DATE
M12S-04PMMS-SH8CXX	Mafei	2017-10-09
CUSTOMER	APPROVED BY	DATE
ALTW	Jerry	2017-10-09

THIS DOCUMENT IS SUBJECT TO CHANGE WITHOUT NOTICE. IT IS CONFIDENTIAL AND A PROPERTY OF Amphenol LTW. DISCLOSURE TO THIRD PARTY HAS TO BE AUTHORIZED BY Amphenol LTW.