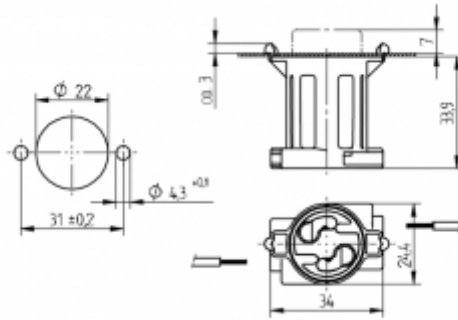


Lampholders and starter holders

26.514.5026

Starter holders



colour	pkg.	wt.	part no.
white	500	5 g	26.514.5026.50

Approval: additional cULus (660W /250V)

Snap in pins at top

Housing: PC

- With integral spacer

T 100			
		18 AWG 0.5 - 1.0 mm ²	0.5 - 1.1