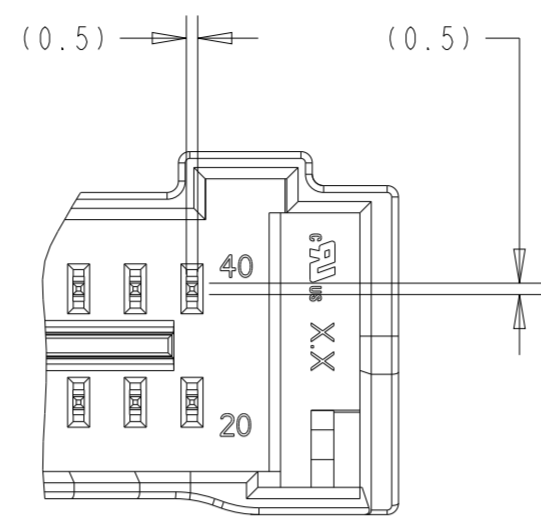
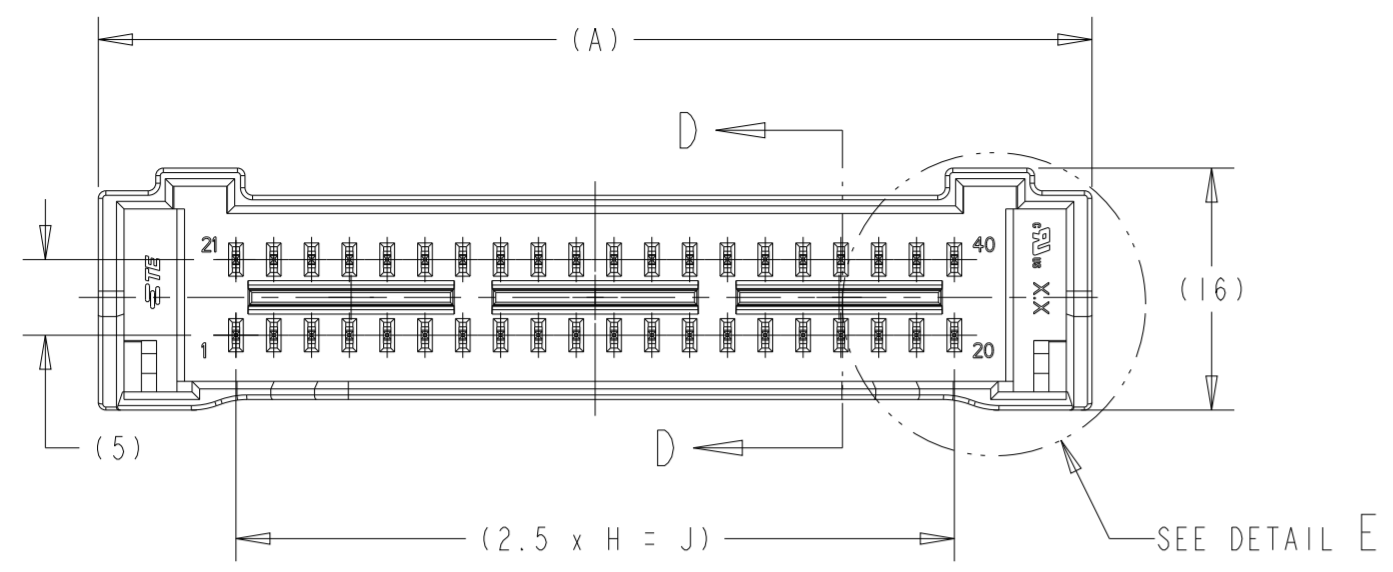
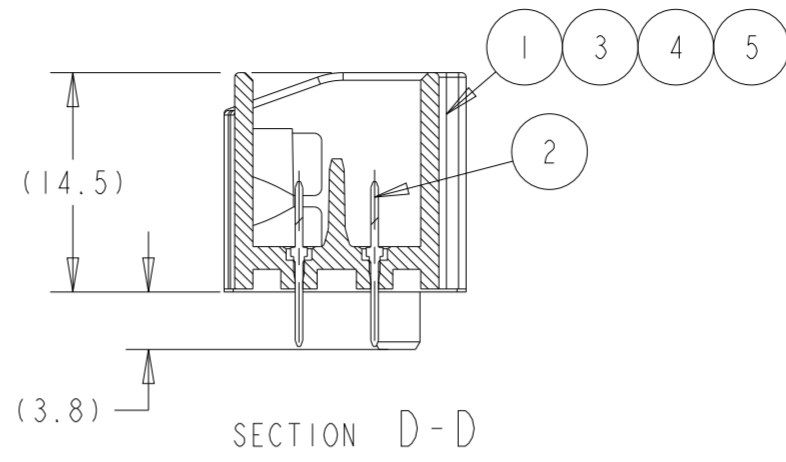


| P | LTR | DESCRIPTION | DATE | DWN | APVD |
|----|-----|---------------------------|-----------|-----|------|
| A | | PRODUCTION RELEASE | 07OCT2024 | AK | BL |
| B | | REVISED PER ECR-24-226616 | 03DEC2024 | AK | BL |
| BI | | REVISED PER ECN-25- | 06OCT2025 | GK | JP |

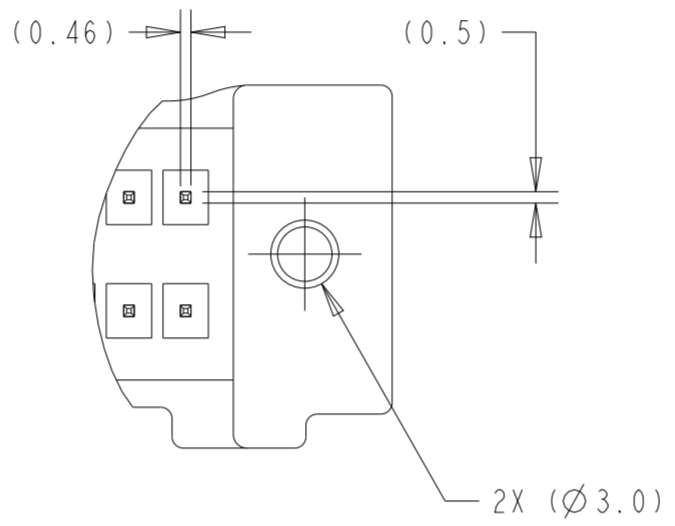
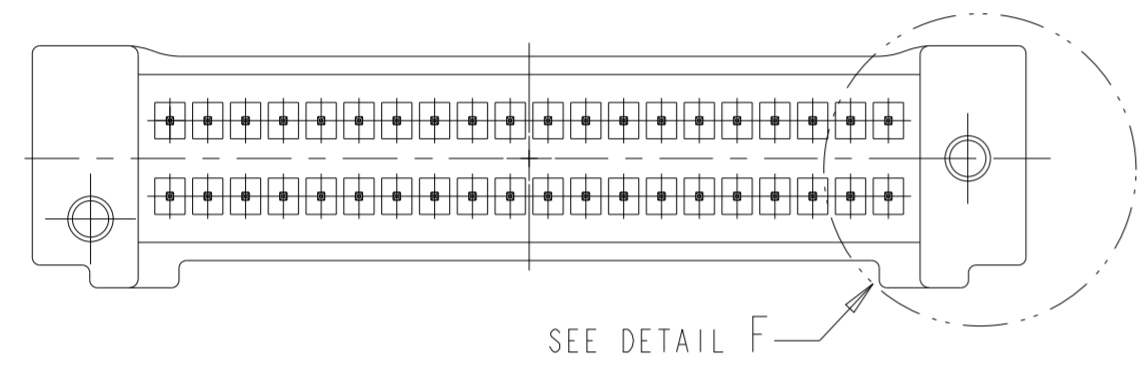


DETAIL E
SCALE 3:1



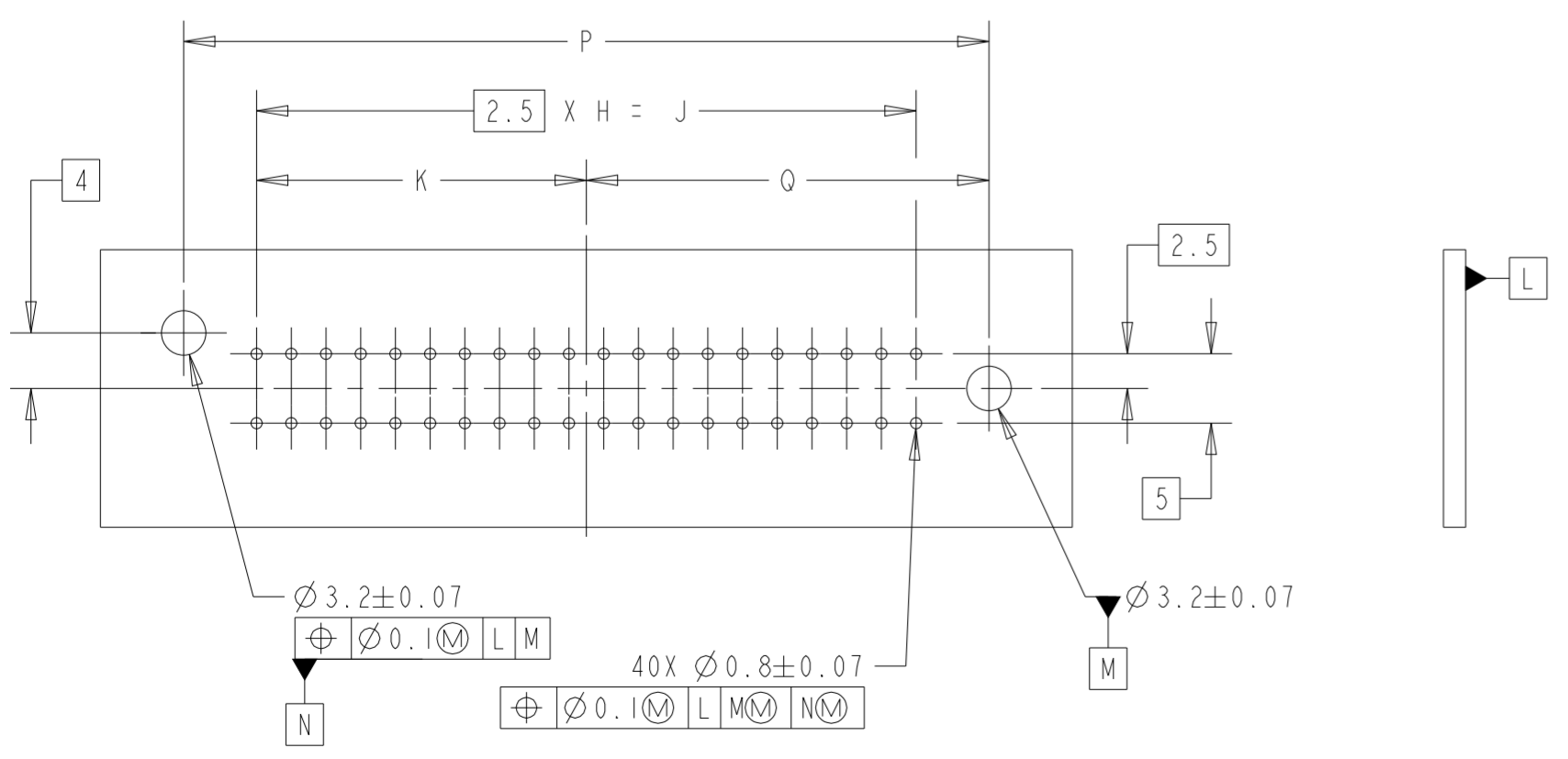
NOTES:

1. SUITABLE WITH:
RECEPTACLE CONNECTOR : 2395224-1/2/3
TPA : 2395226-1/2
2. SUITABLE CONTACTS: 2232557-2 (22-28AWG)
3. ASSEMBLY INSTRUCTION: 408-160088
4. THIS PRODUCT HAS NOT COMPLETED QUALIFICATION TESTING
5. PRELIMINARY PART - NOT RELEASED FOR PRODUCTION



DETAIL F
SCALE 3:1

RECOMMENDED PCB LAYOUT



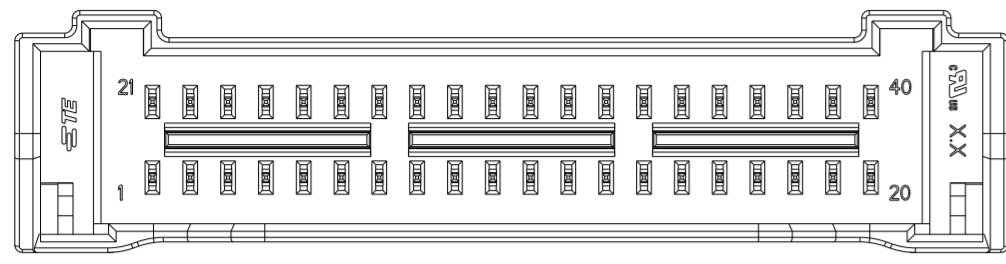
| NO OF POSITION | DIM 'Q' | DIM 'P' | DIM 'K' | DIM 'J' | DIM 'H' | DIM 'A' |
|----------------|---------|---------|---------|---------|---------|---------|
| 30P | 22.75 | 45.5 | 17.5 | 35 | 14 | 53.2 |
| 20P | 16.5 | 33 | 11.25 | 22.5 | 9 | 40.7 |
| 40P | 29 | 58 | 23.75 | 47.5 | 19 | 65.7 |

| | | | | | | |
|---|-------------|----------------------------|---------------------------------------|----------------------------|-------------------------|--------------------|
| THIS DRAWING IS A CONTROLLED DOCUMENT. | | DWN G. KLINGER | 06OCT2025 | STE TE Connectivity | | |
| DIMENSIONS: mm | | CHK E. WORKMAN | 06OCT2025 | | | |
| TOLERANCES UNLESS OTHERWISE SPECIFIED: | | APVD J. POTERJOY | 06OCT2025 | | | |
| 0 PLC ± 1 PLC ± 2 PLC ± 3 PLC ± 4 PLC ± ANGLES ± | | PRODUCT SPEC 108-160822 | NAME G12.5 HEADER ASSY, FLIP-N-LOK | | | |
| MATERIAL SEE TABLE | FINISH - | WEIGHT - | SIZE A2 | CAGE CODE 00779 | DRAWING NO C-2395225 | RESTRICTED TO - |
| CUSTOMER DRAWING | | | SCALE 2:1 | SHEET 1 | OF 2 | REV BI |

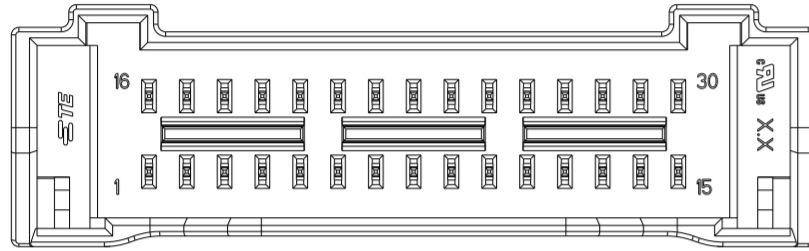
REVISIONS

| P | LTR | DESCRIPTION | DATE | DWN | APVD |
|---|-----|-------------|------|-----|------|
| | | | | | |

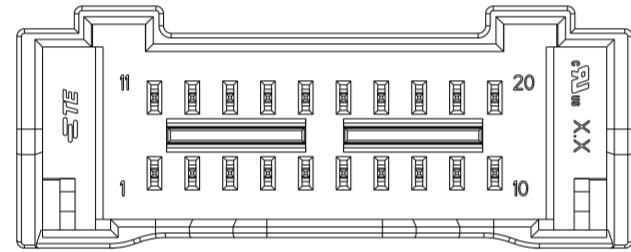
40P HEADER ASSEMBLY, FLIP-N-LOK



30P HEADER ASSEMBLY, FLIP-N-LOK



20P HEADER ASSEMBLY, FLIP-N-LOK



| | | | | | | | |
|---------|---------------|-----------|----------|----------------------------|-------------------------|-------------------|---|
| - | COPPER ALLOY | 30 | 2 | PIN, FLIP-N-LOK | 30P G12.5 | 2395225-4 | 5 |
| NATURAL | THERMOPLASTIC | 1 | 5 | HEADER HOUSING, FLIP-N-LOK | HEADER ASSY, FLIP-N-LOK | | 4 |
| - | COPPER ALLOY | 20 | 2 | PIN, FLIP-N-LOK | 20P G12.5 | 2395225-3 | 4 |
| BLUE | THERMOPLASTIC | 1 | 4 | HEADER HOUSING, FLIP-N-LOK | HEADER ASSY, FLIP-N-LOK | | 4 |
| - | COPPER ALLOY | 20 | 2 | PIN, FLIP-N-LOK | 20P G12.5 | 2395225-2 | 4 |
| NATURAL | THERMOPLASTIC | 1 | 3 | HEADER HOUSING, FLIP-N-LOK | HEADER ASSY, FLIP-N-LOK | | 4 |
| - | COPPER ALLOY | 40 | 2 | PIN, FLIP-N-LOK | 40P G12.5 | 2395225-1 | 4 |
| NATURAL | THERMOPLASTIC | 1 | 1 | HEADER HOUSING, FLIP-N-LOK | HEADER ASSY, FLIP-N-LOK | | 4 |
| COLOR | MATERIAL | PART QTY. | ITEM NO. | PART DESCRIPTION | ASSEMBLY DESCRIPTION | ASSEMBLY PART NO. | |

THIS DRAWING IS A CONTROLLED DOCUMENT.

| | | | | |
|-----------------------|---|--|---------------------------------------|--------------------|
| DIMENSIONS: mm | TOLERANCES UNLESS OTHERWISE SPECIFIED: 0 PLC ± 1 PLC ± 2 PLC ± 3 PLC ± 4 PLC ± ANGLES ± FINISH - | DWN G. KLINGER 06OCT2025 CHK E. WORKMAN 06OCT2025 APVD J. POTERJOY 06OCT2025 | TE Connectivity | |
| MATERIAL SEE TABLE | | PRODUCT SPEC 108-160822 | NAME G12.5 HEADER ASSY, FLIP-N-LOK | |
| | | APPLICATION SPEC | SIZE A2 | CAGE CODE 00779 |
| | | WEIGHT - | DRAWING NO C-2395225 | RESTRICTED TO - |
| | | CUSTOMER DRAWING | SCALE 2:1 | SHEET 2 OF 2 |

REV B1