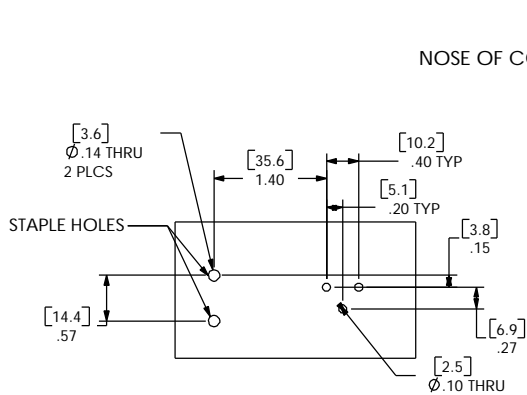
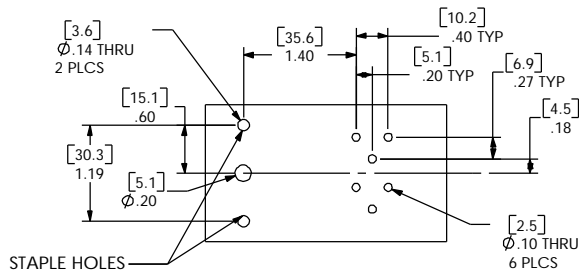


THE INFORMATION CONTAINED IN THIS DRAWING IS THE SOLE PROPERTY OF ANDERSON POWER PRODUCTS. ANY REPRODUCTION IN PART OR WHOLE WITHOUT THE WRITTEN PERMISSION OF ANDERSON POWER PRODUCTS IS PROHIBITED.

DATE	3/15/00
BY:	CMS
DESCRIPTION OF CHANGES	1 ECRN 13302: CORRECT HOLE LAYOUT
REV	1



PC BOARD HOLE PATTERN- 1 POLE



PC BOARD HOLE PATTERN- 2 POLE

NOTES:

- ASSEMBLE PROPER CONTACT INTO REQUIRED HOUSING AS SHOWN, BY INSERTING NOSE OF CONTACT INTO OPENING IN HOUSING. AN AUDIBLE 'CLICK' WILL BE HEARD WHEN THE CONTACT ENGAGES THE SPRING OF THE HOUSING. THE COMPLETED ASSEMBLY SHOULD RESULT IN THE DIMENSIONS AS SHOWN IN THE SIDE VIEW.
- INSURE THAT THE LEGS OF THE CONTACT ARE NOT BENT PRIOR TO ENGAGEMENT OR DURING INSERTION INTO HOUSING. IF THIS OCCURS, REMOVE THE CONTACT FROM THE HOUSING, DISCARD, AND INSERT A NEW CONTACT INTO THE HOUSING USING NOTE 1 AS AN INSTALLATION GUIDE.
- WHEN ASSEMBLED, THE BACK SURFACE OF THE CONTACT SHOULD BE JUST TOUCHING THE EDGE OF THE HOUSING OPENING.
- PCB HOLE PATTERN IS BASED ON USING ANDERSON MOUNTING STAPLES. STAPLE PART NUMBERS FOR SINGLE AND DOUBLE POLE ARE: PCSTAPLE-1 AND PCSTAPLE-2

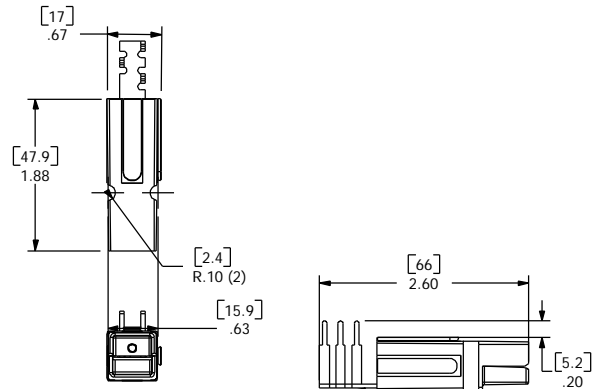
3 PRONG PCB CONTACT

HOUSING: 5916-SERIES

ASSEMBLED HOUSING AND CONTACT PP-PCB-SERIES

NOSE OF CONTACT

OPENING OF HOUSING



SEE NOTE 3

ITEM NO.	PART OR IDENTIFYING NO.	NOMENCLATURE OR DESCRIPTION	MATERIAL SPECIFICATION	QTY RECD
COPYRIGHT 1999 ANDERSON POWER PRODUCTS. ALL RIGHTS RESERVED. UNAUTHORIZED REPRODUCTION HEREBY PROHIBITED.				
DIMENSIONS ARE IN INCHES DIMENSIONS IN PARENTHESES [] ARE IN MILLIMETERS		ANDERSON POWER PRODUCTS		
TOLERANCES ARE: 2PL- ±.02 [±.5]		POWERPOLE 75 HOUSING & 3 PRONG PCB CONTACT ASSEMBLY		
MATERIALS: N/A		SPECIFICATION: 114198S1		
FINISH N/A		REV. 1		
DO NOT SCALE DRAWING		SCALE NONE 01122 SHEET 1 OF 1		

NEXT ASSY	USED ON
APPLICATION	