

# HellermannTyton

DATA SHEET

SLPLU: Silicone Tubing

## DESCRIPTION

SLPLU is a zero halogen silicone rubber tube, which has excellent Limited Fire Hazard performance.

## APPLICATION

This product is ideal for use as cable markers or for binding cables where low fire hazard materials are required.

This product is ideal for railway, marine, offshore and aerospace application for the protection, insulation and identification of electronic and electrical components.

## PROPERTIES

Properties	Typical Results	Test Method
Material	Silicone Rubber	
Continuous Operating Temp	-70°C to +180°C	IEC 216
Intermittent Temperature	+250°C	
Flammability	V0	UL 94 (3mm)
Resistance to		
Acids	Good	LUL RSE/STD/013
Alkalis	Good	
Oils	Good	
Fuels	Good	
Moisture	Good	
UV	Good	
Ozone	Good	
Dielectric Strength	21kV/mm	BS G 198-1
Smoke Index	A <sub>0</sub> =0.013	BS6853 App B.5.1.
Toxicity	Pass	LUL/RSE/STD/013
Oxygen Index	34.6	BS2782-141
Tension Set	7%	BSG198
Flame Temperature Index	>353 °C	BS6853 App A9
Halogen Content	Halogen Free	
Shelf Life	5 years	
Colours	Yellow	

## STANDARDS

Approved to: LUL RSE/STD/013

Conforms to: N/A

Issue 6

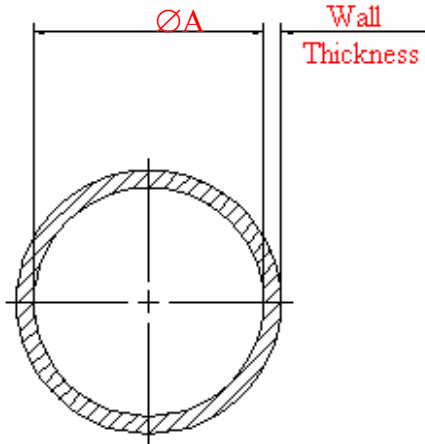
Plymouth International Medical & Technology Park,  
William Prance Road, Plymouth, Devon PL6 5WR, England  
Telephone: +44 (0) 1752 701261; Fax: +44 (0) 1752 790058

08-2013

# HellermannTyton

DATA SHEET

**SLPLU: Silicone Tubing**



## Dimensions

<i>SLPLU</i> <u>Sizes</u>	NOMINAL (MM)	
	$\varnothing A$	W
5	0.50	0.50
8	0.75	0.50
10	1.00	0.50
15	1.50	0.50
20	2.00	0.50
25	2.50	0.50
30	3.00	0.50
40	4.00	0.50
50	5.00	0.50
75	7.50	0.70
100	10.00	0.70

**Issue 6**

**Plymouth International Medical & Technology Park,**  
William Prance Road, Plymouth, Devon PL6 5WR, England  
Telephone: +44 (0) 1752 701261; Fax: +44 (0) 1752 790058

**08-2013**