

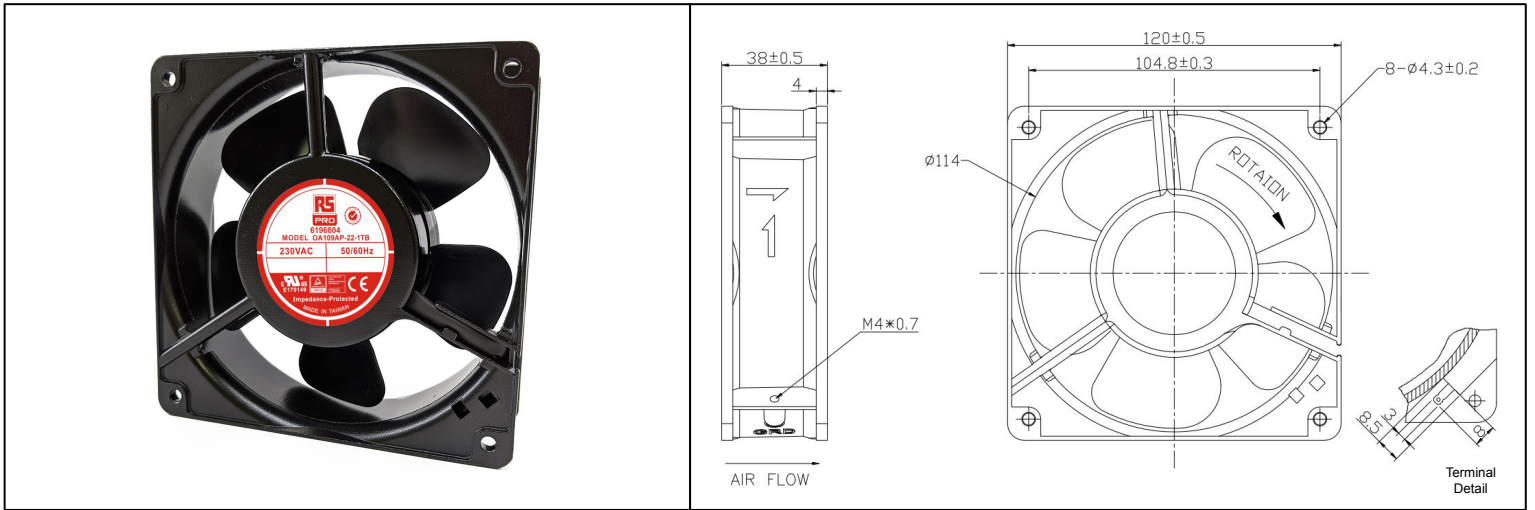


Datasheet

RS PRO AC FAN 120x38mm

Stock Number: 619-6804

EN



Frame	Die Cast Aluminum	<p>Operating Temperature -40°C ~ +70°C</p> <p>Storage Temperature -40°C ~ +80°C</p> <p>Life Expectancy 40,000 hours (L10 at 40°C)</p> <p>Weight: 0.530Kgs (1.16 lbs)</p>	
Impeller	PBT UL94 V-0 Plastic		
Connection	Terminals		
Motor	AC Shaded Pole, Impedance Protected		
Bearing System	Dual Ball Bearings		
Dielectric Strength	1500VAC/min < 1mA		
Insulation Resistance	>100M ohm between leadwire and frame (500VDC)		

Model Number	619-6804
Rated Voltage	230 VAC
Rated Input	17 W @ 50 Hz 15 W @ 60 Hz
Voltage Range	207~253
Rated Speed (RPM)	2750 @ 50 Hz 3100 @ 60 Hz
Airflow (CFM)	92 @ 50 Hz 106 @ 60 Hz
Noise Level (dB)	42 @ 50 Hz 46 @ 60 Hz
Max. Static Pressure	0.32" H ₂ O @ 50/60 Hz

*PQ Airflow data specifications are for 60 Hz operation