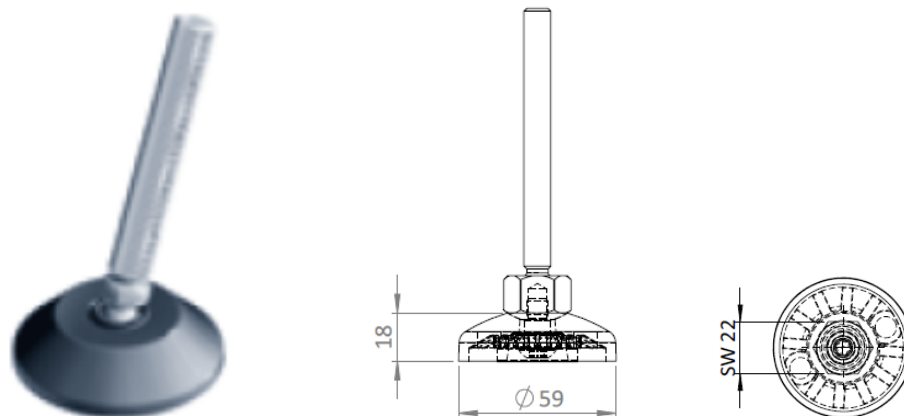


Pivoting Feet

These feet are designed to provide a stable position on uneven floors.



Dimensions

RS Article no.	L (mm)	M
7675840	66	M10
7675853	66	M12
7675856	100	M12



PIVOT FOOT - For Profile 30, groove size 6 system ONLY

RS Article no.	Product Description	Compatible with groove size	Product system	Structural element type
7675840	Pivot foot, base 60, black M10x50	6	30	Foot
7675853	Pivot foot, base 60, Black M12x66	6	30	Foot
7675856	Pivot foot, base 60, Black M12x100	6	30	Foot