

Datasheet

RS PRO Fused Connection Unit

RS Stock No: **135-1003**



Product Details

This 1 Gang Switched Fused Connection Unit with Flex Outlet & Neon operates on a voltage rating of 250 VAC and a current rating of 13 A.

Standard Compliance

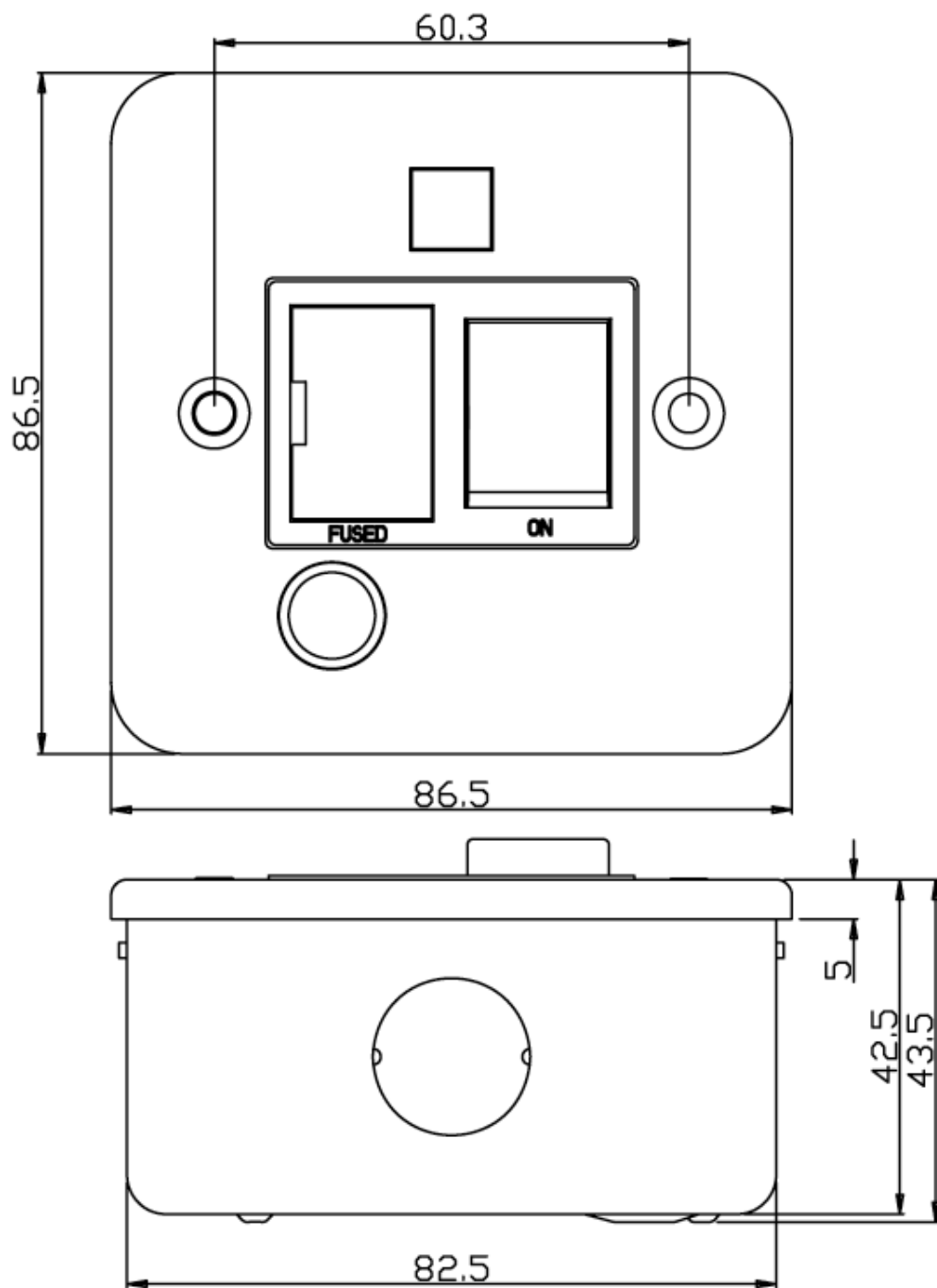
- BS1363-4

Specifications:

Depth	43.5 mm
Length	86.5 mm
Maximum AC Voltage	250 V AC
Maximum Current	13 A
Push Button Actuation	OFF-ON
Push Button Marking	ON
Width	86.5 mm
Standards Met	BS1363-4; ASTA Approved

RS, Professionally Approved Products, gives you professional quality parts across all products categories. Our range has been testified by engineers as giving comparable quality to that of the leading brands without paying a premium price.





1G SWITCHED FUSED CONNECTION UNIT WITH FLEX OUTLET AND NEON

RS Stock No.: 135-1003

RS, Professionally Approved Products, gives you professional quality parts across all products categories. Our range has been testified by engineers as giving comparable quality to that of the leading brands without paying a premium price.



rspro.com



Wiring Accessories

Fitting and Wiring Instructions

- 1). Before commencing work, isolate the mains power supply and remove the fuse in the fuse box or switch off the circuit breaker in the consumer unit.
- 2). If unit is to be used as a replacement for an existing product, remove existing unit from its location and disconnect the wiring.
- 3). Connect the wires as shown in appropriate wiring diagrams overleaf. Use green/yellow sleeving on earth conductors not insulated. Ensure terminals are properly tightened and no bare wire is visible. Push back unit into mounting box making sure conductors are not trapped.
- 4). Screw the unit to the mounting box using screws provided. Do not over tighten fixing screws. If supplied, fit the screw cover caps by carefully inserting & pressing inwards into the fixing screw holes.
- 5). **These products must be installed in accordance with the latest Building and IEE wiring regulations. If in any doubt, please contact a qualified electrician.**

13A SWITCHED FUSED CONNECTION UNIT W/FLEX OUTLET

