

SITOR FUSE-LINK SIZE 1 200A, AC 1000V



Similar to image

**Technical data:**

|   |    |             |
|---|----|-------------|
| <b>Current / for AC / rated value</b>   | A  | 200         |
| <b>Size of the fallback-system / acc. to DIN EN 60269-1</b>                         |    | NH1         |
| <b>Supply voltage</b><br>• for AC / rated value                                     | V  | 1,000       |
| <b>Switching capacity current</b><br>• in accordance with IEC 60947-2 / rated value | kA | 65          |
| <b>Design of an identification indicator</b>  |    | others      |
| <b>Ambient temperature</b>  | °C | -20 ... +50 |
| <b>Varying load factor (WL)</b>   |    | 0.95        |

**Certificates/approvals:**

General Product Approval

Declaration of Conformity



CQC

[ROSTEST](#)



UL

[Manufacturer](#)

**Further information:**

Information- and Downloadcenter (Catalogs, Brochures,...)

<http://www.siemens.com/lowvoltage/catalogs>

---

**Industry Mall (Online ordering system)**

<http://www.siemens.com/lowvoltage/mall>

---

**Service&Support (Manuals, Certificates, Characteristics, FAQs,...)**

<http://support.automation.siemens.com/WW/view/en/3NE3225/all>

---

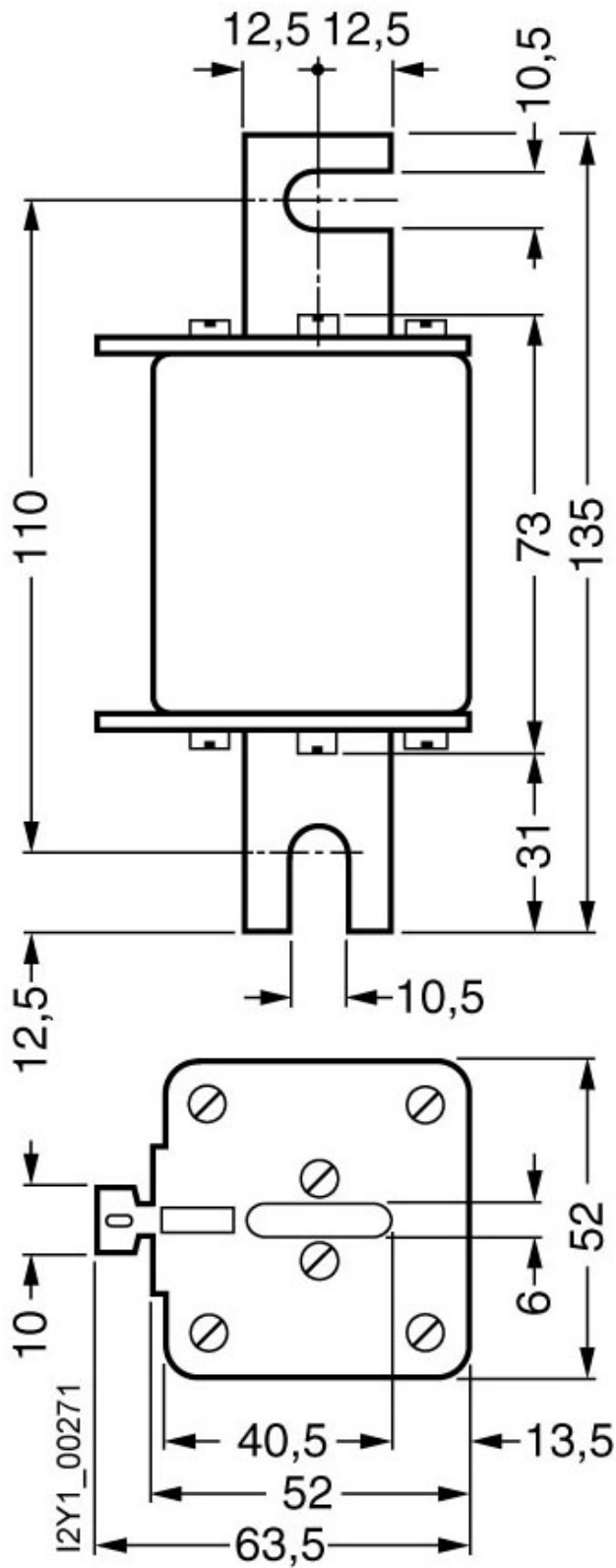
**Image database (product images, 2D dimension drawings, 3D models, device circuit diagrams, ...)**

[http://www.automation.siemens.com/bilddb/cax\\_en.aspx?mlfb=3NE3225](http://www.automation.siemens.com/bilddb/cax_en.aspx?mlfb=3NE3225)

---

**CAX-Online-Generator**

<http://www.siemens.com/cax>



last change:

Mar 10, 2012