

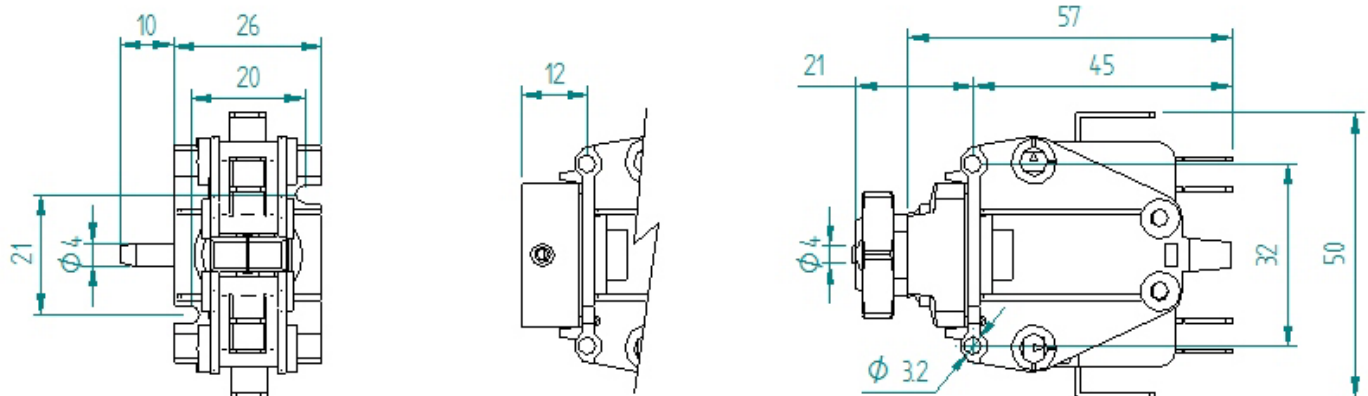


Datasheet

ENGLISH

DPCO Through Panel Latching Air Switch

RS Stock No. 319-758



FEATURES:

- Double pole latching switch
- Electrical rating 21A 250V AC
- Back entry 4mm spout
- Use with 3mm I/D tubing