



## MULTIBAND ANTENNA RRDM-GPGLBD-A-110-N-W-G



### ■ SPECIFICATION

#### 1. ANTENNA

Parameters	Value
Frequency Range	L1: 1575.42 ± 1.023 B1: 1561.098±2.046 GLONASS: 1601.02±1.15
VSWR, max	2.0
Bandwidth, min	20 MHz
Input Impedance	50 Ω
Gain (based on 70x70mm GND plane)	5 dBic
Polarization	RHCP
Operating Temperature Range	-40°C ~ +80°C
Storage Temperature Range	-45°C ~ +85°C

#### 2. LNA

Parameters	Value
Frequency Range	L1: 1575.42 MHz ± 1.023 MHz B1: 1561.098 MHz±2.046 MHz GLONASS: 1601.02 MHz±1.15 MHz
DC Voltage	3.0 V ~ 5.0 V
Gain	38 dB ± 3 dB
VSWR, max	1.5
DC Current, typ	28mA ±3 mA

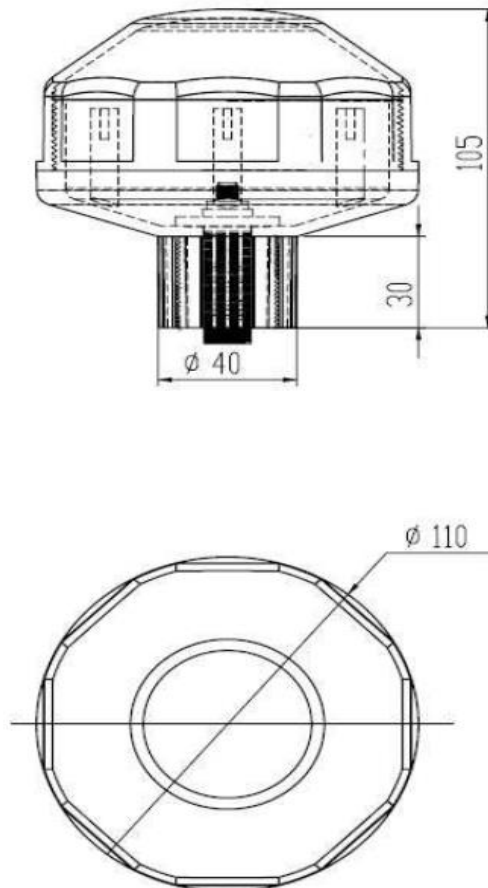


## MULTIBAND ANTENNA RRDM-GPGLBD-A-110-N-W-G

### 3.OVERALL

Parameters	Value
Frequency Range	L1: 1575.42 MHz $\pm$ 1.023 MHz B1: 1561.098 $\pm$ 2.046 GLONASS: 1601.02 $\pm$ 1.15
Output VSWR, max	2
Gain	37 dBic $\pm$ 3 dBic
Impedance	50 $\Omega$
Connector	N type, Female

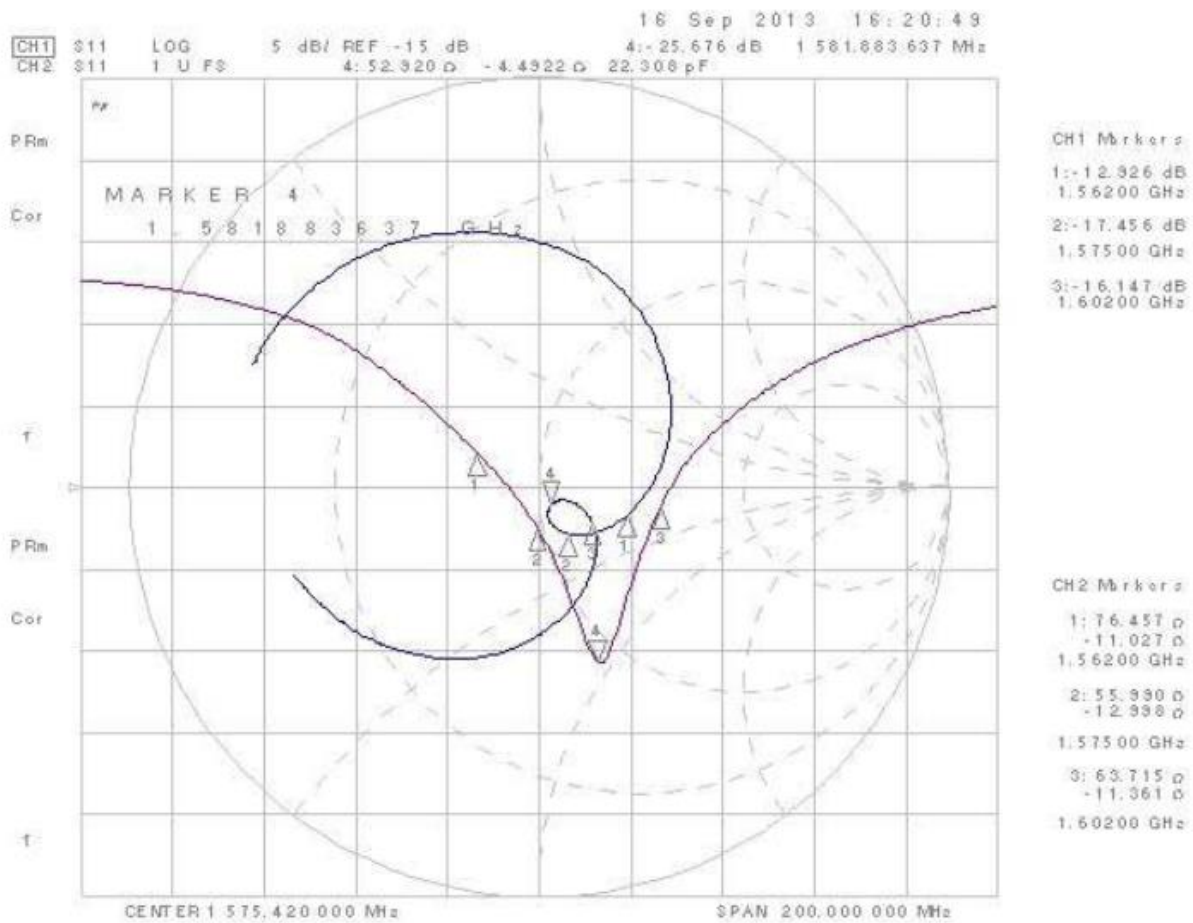
#### ■ MECHANICAL SPECIFICATION





# MULTIBAND ANTENNA RRDM-GPGLBD-A-110-N-W-G

## FREQUENCY CHARACTERISTICS



## APPROVAL

RS PRO	
DRAWN BY:	AR, June 1, 2018
APPROVED BY:	CP, June 1, 2018
REVISION:	A, Initial Release