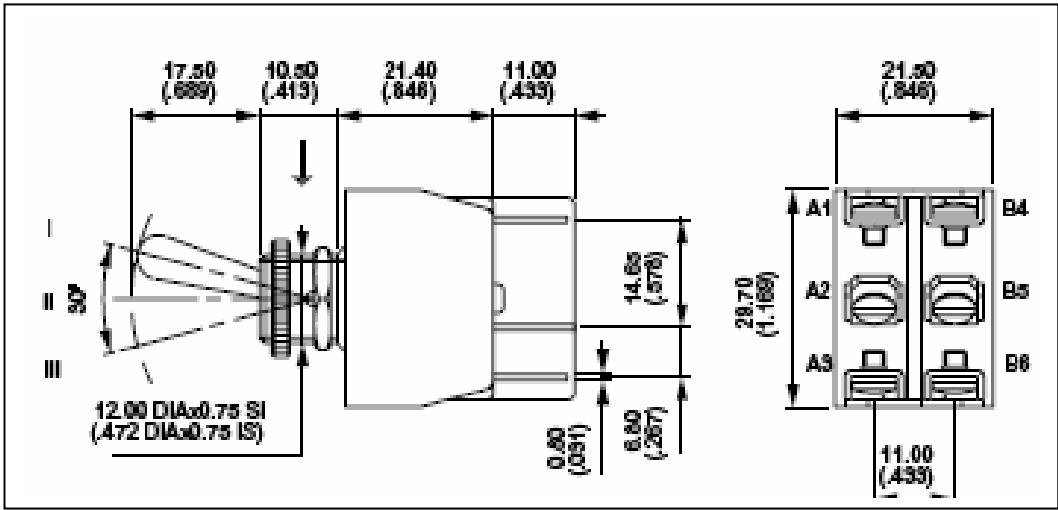
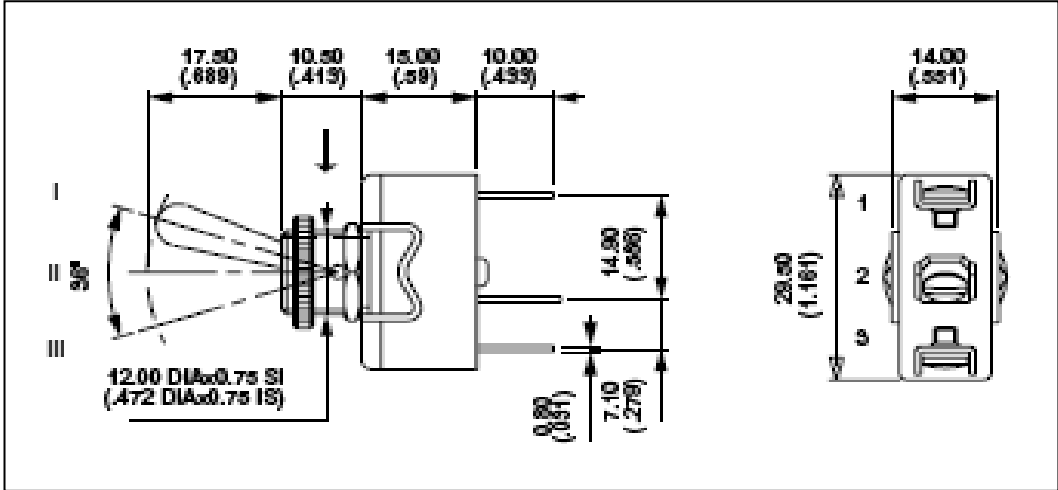




A P E M

X and Y New Series 15 A Toggle Switches



SPECIFICATIONS
 Contact ratings (resistive loads): Functions ON-OFF and ON-ON: 15A 250VAC or 10A 24VDC
 Functions ON OFF ON: 15A 250VAC

Initial contact resistance: 10 milliohms maximum
Insulation resistance: 1000 megohms min. at 500 VDC
Dielectric strength: 2000 V rms min. - between terminals
 2500 V rms min. - between terminals and frame
Electrical life at full load: 10,000 cycles minimum
Operating temperature range: -20°C to +55°C