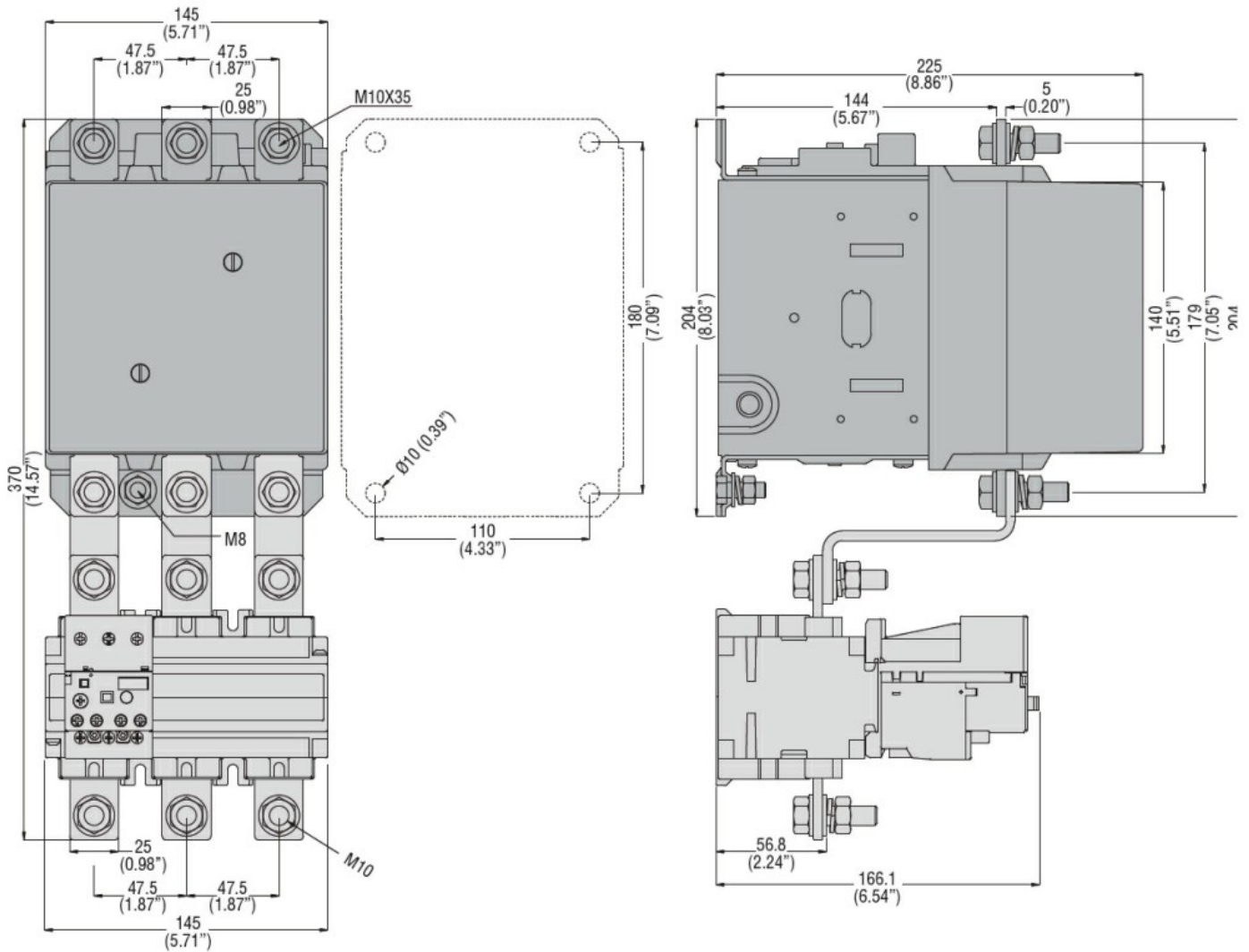


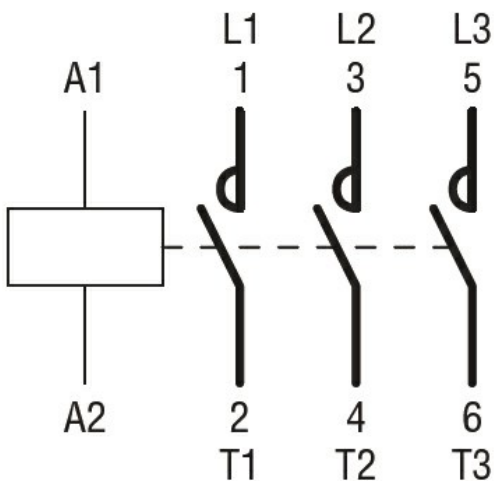


Product type designation	B310		
Contact characteristics			
Number of poles	nr.	3	
Rated insulation voltage U_i	V	1000	
Rated impulse withstand voltage U_{imp}	kV	8	
Operating frequency	Operational frequency min	Hz	25
	Operational frequency max	Hz	400
Conventional free air thermal current I_{th}	A	450	
Operating current	Operational current AC3 ($\leq 440V \leq 55^\circ C$)	A	320
	Operational current AC4 (400V)	A	110
Short-time allowable current for 10s (IEC/EN60947-1)	A	2900	
Protection fuse	gG (IEC)	A	500
	aM (IEC)	A	400
Making capacity (RMS value)	A	3150	
Breaking capacity at voltage	Breaking capacity 440V	A	3000
	Breaking capacity 500V	A	2700
	Breaking capacity 690V	A	2520
Resistance per pole (average value)	m Ω	0.2	
Power dissipation per pole (average value)	Power dissipation pole (average value) I_{th}	W	40.5
	AC3	W	20
Tightening torque for terminals	min	Nm	35
	max	Nm	35
	min	lbft	25.8
	max	lbft	25.8
Tightening torque for coil terminal	min	Nm	1
	max	Nm	1
	min	lbft	0.74
	max	lbft	0.74
Ambient conditions			
Temperature	Operating temperature		
	min	$^\circ C$	-50
	max	$^\circ C$	70
	Storage temperature		
	min	$^\circ C$	-60
	max	$^\circ C$	80
Max altitude	m	3,000	
Operating position			

	normal allowable		Vertical plan ±30°
Mounting			Screw / DIN rail 35mm
Weight		g	9.575
Operations			
Mechanical life		Cycles	10,000,000
Electrical life		Cycles	700000
Safety related data			
Mirror contacts according to IEC/EN 609474-4-1			Yes
EMC compatibility			Yes
AC coil operating			
Rated AC voltage at 50/60Hz, 60Hz		min V	24
		max V	480
AC operating voltage			
	of 50/60Hz coil powered at 50Hz		
	pick-up	min %Us	80
		max %Us	110
DC coil operating			
DC operating voltage			
Average coil consumption ≤20°C		in-rush W	300
		holding W	10
Max cycles frequency			
Mechanical operations		Cycles/h	3,600
Dimensions			



Wiring diagrams



Certifications and compliance

Certifications

CSA C22.2 n° 60947-1
 CSA C22.2 n° 60947-4-1
 IEC/EN 60947-1
 IEC/EN 60947-4-1
 UL 60947-1

Compliance	UL 60947-4-1
	CCC
	cULus
	EAC

ETIM 6 classification
EC000066 - Power contactor, AC switching