

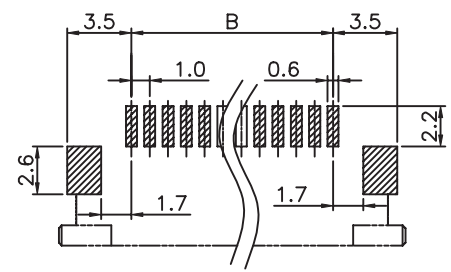
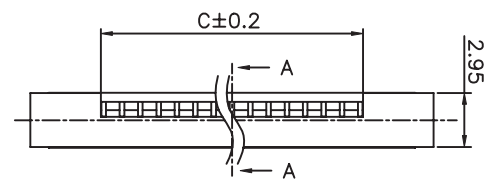
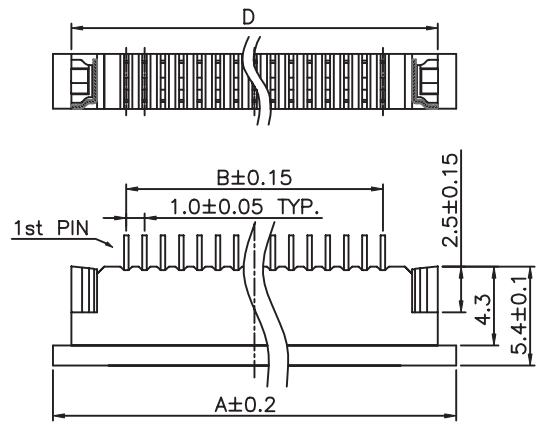
1

2

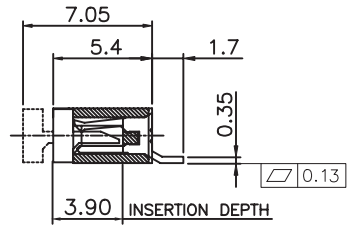
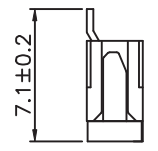
3

4

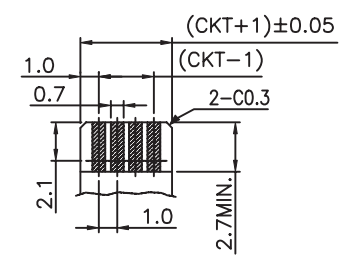
5



PCB LAYOUT - COMPONENT VIEW



SECT. A-A



APPLICABLE FFC LAYOUT (THICKNESS: 0.29 to 0.34)

MATERIAL:  
 HOUSING MATERIAL: PPS  
 COLOR: BEIGE  
 ACTUATOR MATERIAL: PPS  
 COLOR: BROWN  
 CONTACT MATERIAL: PHOSPOR BRONZE  
 CONTACT PLATING: 100µ TIN OVER 50µ NI  
 QUALITY CLASS: 25 MATING CYCLES

ENVIRONNEMENTAL:  
 OPERATING TEMPERATURE: -25°C UP TO 85°C  
 FLAMABILITY RATING: UL94-V0  
 COMPLIANCE: LEAD FREE AND ROHS

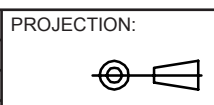
ELECTRICAL:  
 CURRENT RATING: 1A  
 WORKING VOLTAGE: 125V  
 INSULATION RESISTANCE: >100MOHM  
 DIELECTRIC WITHSTANDING VOLT.: 500VAC/MN  
 CONTACT RESISTANCE: 20mOHM MAX

STANDARD  
 CERTIFIED: E323964 / MODEL NUMBER 686  
 FOLLOWED BY 1, FOLLOWED BY 03 THRU 30, FOLLOWED BY 141 OR 144, FOLLOWED BY NUMERIC DIGITS

SOLDERING:  
 REFLOW PROCESS ONLY

DIMENSION:  
 A = B + 8.00  
 B = 1.00 x (NB PINS - 1)  
 C = B + 2.15  
 D = B + 6.00

RoHS Compliant



GENERAL TOLERANCE  
 .X = +/- 0.2  
 .XX = +/- 0.15



APPROVAL: RJ

UNIT: MM  
 SCALE:  
 SHEET: 1/2  
 DRAW: PEARL

DESCRIPTION: 1.0MM ZIF FPC HORIZONTAL TOP CONTACT TYPE - TAPE & REEL PACKAGING

SIZE  
**A4**

H	13-DEC-10	COPLANARITY	GG
REV	DATE	FILE	BY

WERI PART NO: 6861 xx 14122

1

2

3

4

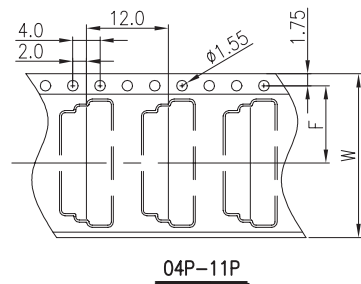
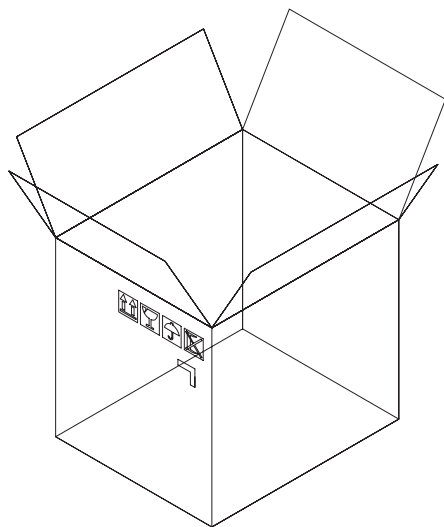
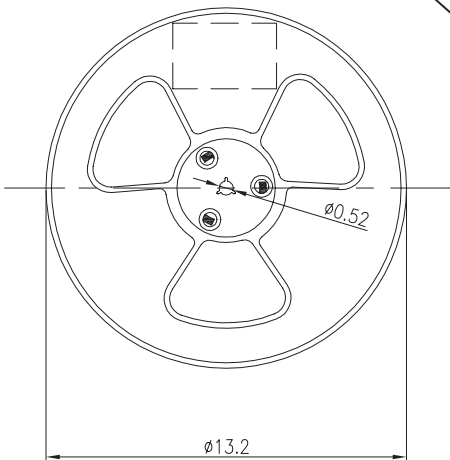
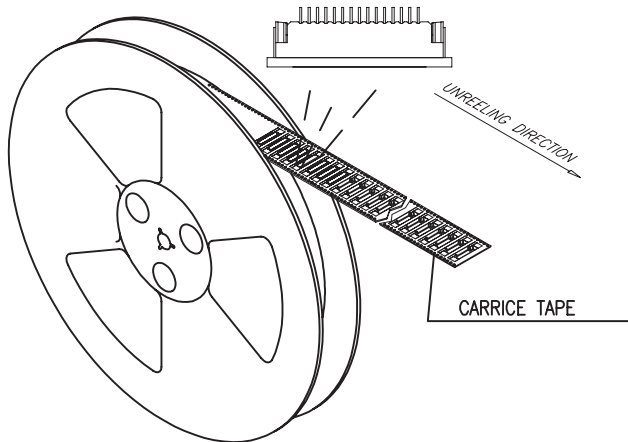
5

A

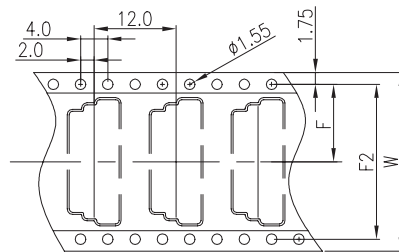
B

C

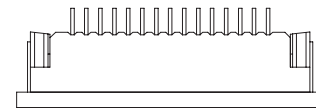
D



04P-11P



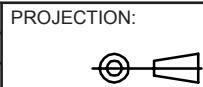
12P-30P



PIN	W	F	F2
04PIN	24mm	11.5mm	/
11PIN			
12PIN	32mm	14.2mm	28.4mm
15PIN			
16PIN	44mm	20.2mm	40.4mm
22PIN			
24PIN	56mm	26.2mm	52.4mm
30PIN			

NOTE:  
 1. 10 sprocket hole pitch cumulative tolerance  
 2. Carrier camber is within 1 mm in 100mm

RoHS Compliant			
G			
F			
E			
D			
C			
B			
A			
REV	DATE	FILE	BY



GENERAL TOLERANCE  
 .X =  $\pm 0.2$   
 .XX =  $\pm 0.15$



APPROVAL: RJ

UNIT: MM  
 SCALE:  
 SHEET: 2/2  
 DRAW: PEARL

DESCRIPTION: 1.0MM ZIF FPC HORIZONTAL BOTTOM CONTACT TYPE - TAPE & REEL PACKAGING  
 WERI PART NO: 6861 xx 14122

SIZE  
**A4**