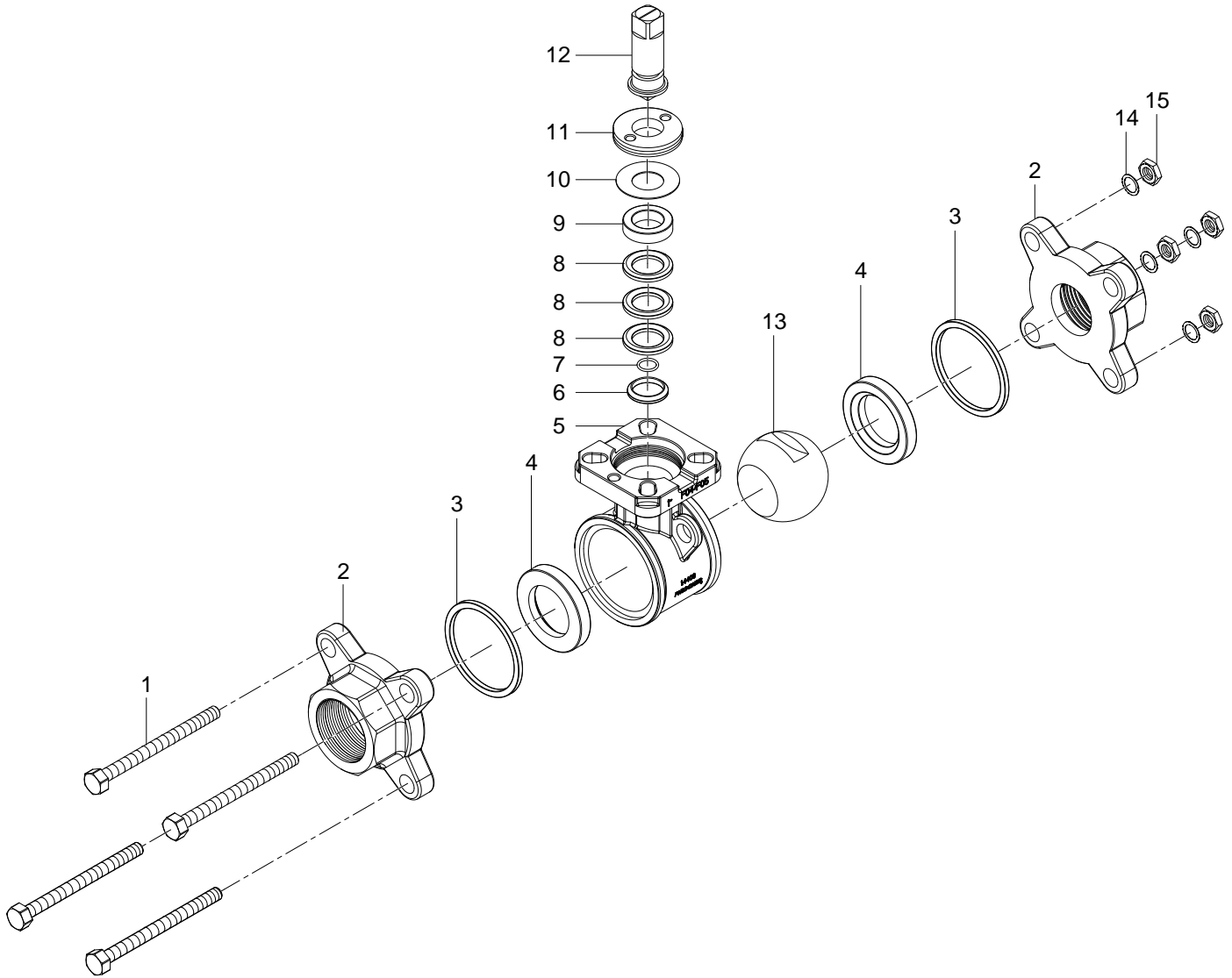


1686699 VZBA-2"-WW-63-T-22-F0507-V4V4T Ball valve - Series: All



## 1686699 VZBA-2"-WW-63-T-22-F0507-V4V4T Ball valve - Series: All

| Pos. | Part no. | Type  | Note   | Qty. | Unit |
|------|----------|---|--|------|------|
| A    | 8000923  | VZBA-2"-63-T-22-V4V4T<br>Set of wearing parts | Spare parts: 3, 4, 6, 7, 8, 9                          | 1    | PC   |
| 1    |          |   | Not available  | 4    | PC   |
| 2    |          |   | Not available  | 1    | PC   |
| 3    |          |   | Not available separately, see position A               | 2    | PC   |
| 4    |          |   | Not available separately, see position A               | 2    | PC   |
| 5    |          |   | Not available  | 1    | PC   |
| 6    |          |   | Not available separately, see position A               | 1    | PC   |
| 7    |          |   | Not available separately, see position A               | 1    | PC   |
| 8    |          |   | Not available separately, see position A               | 3    | PC   |
| 9    |          |   | Not available separately, see position A               | 1    | PC   |
| 10   |          |   | Not available  | 1    | PC   |
| 11   |          |   | Not available  | 1    | PC   |
| 12   |          |   | Not available  | 1    | PC   |
| 13   | 721601   | VAPB-2-F-63-CR<br>Ball                        |  | 1    | PC   |
| 14   |          |   | Not available  | 4    | PC   |
| 15   |          |   | Not available<br>Tightening torque 41 Nm / 30.2 lbf ft | 4    | PC   |