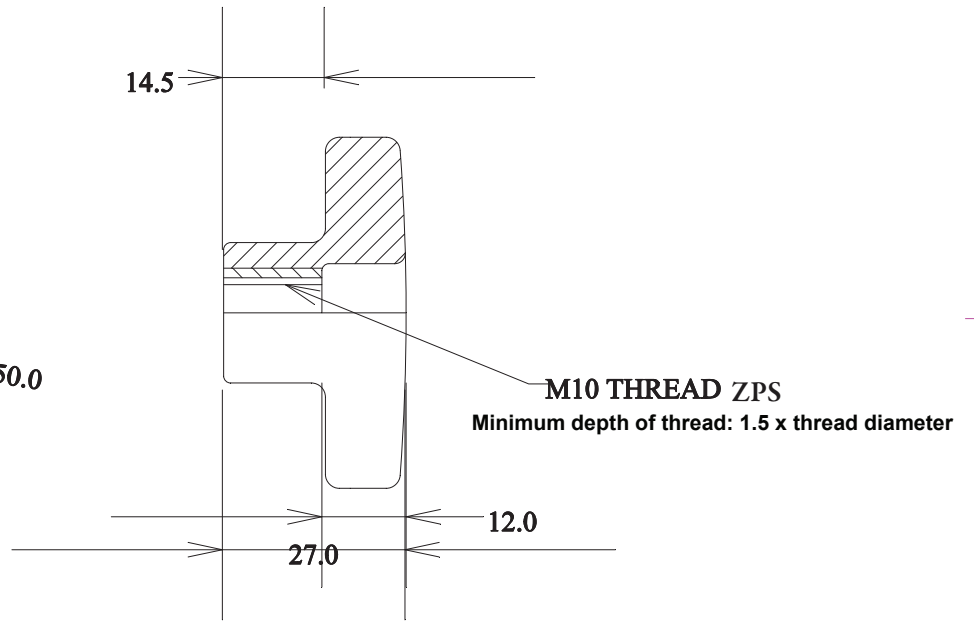
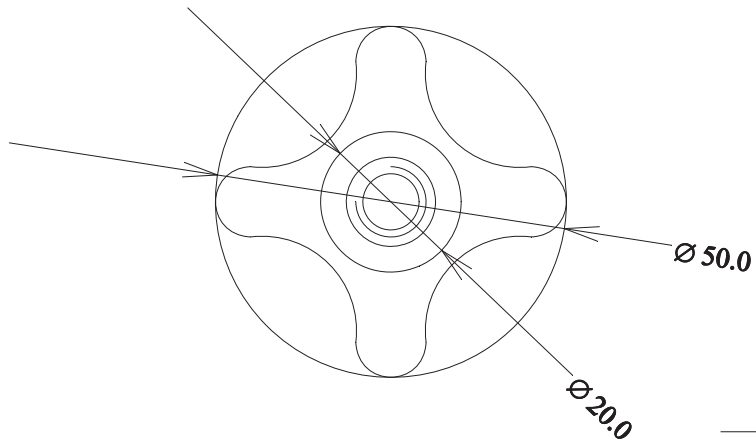




RevNo	Revision note	Date	Signature	Checked
-------	---------------	------	-----------	---------



Itemref	Quantity	Title	Star Knob - Polypropylene REV.2		Article No./Reference	
Designed by	Checked by	Approved by - date	Filename	Date	06/04/10	Scale
				RS 7027728		
				Edition	1	Sheet
				1/1		