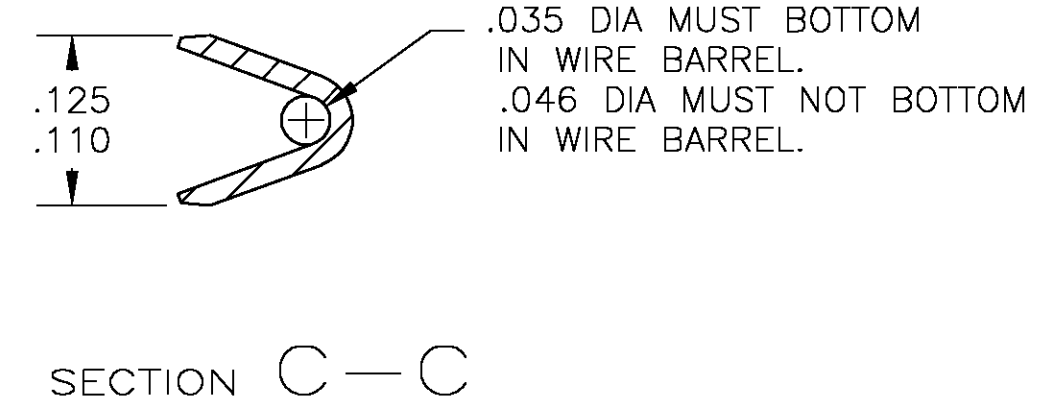
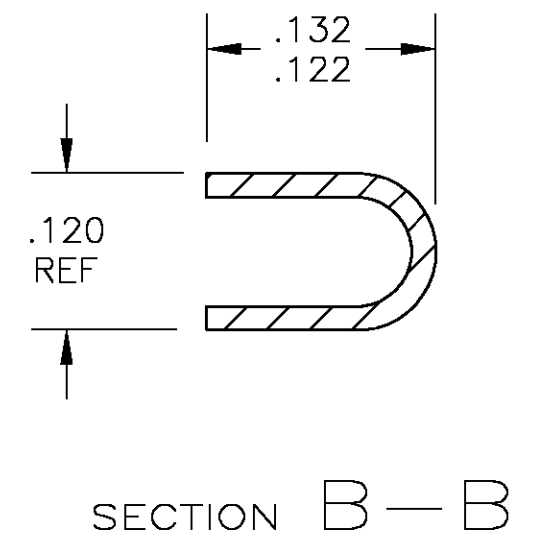
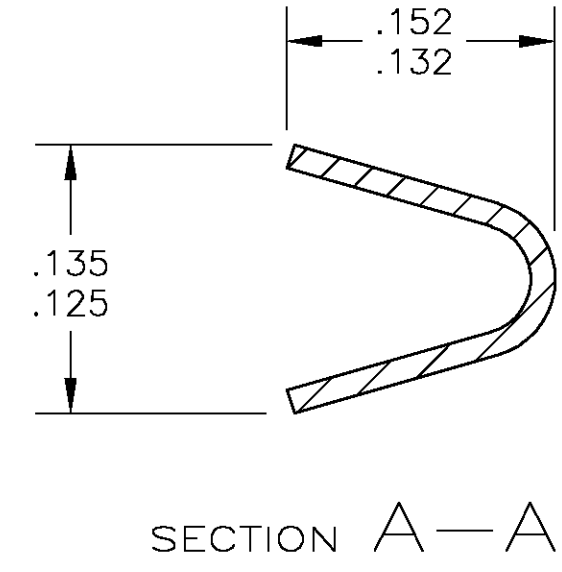
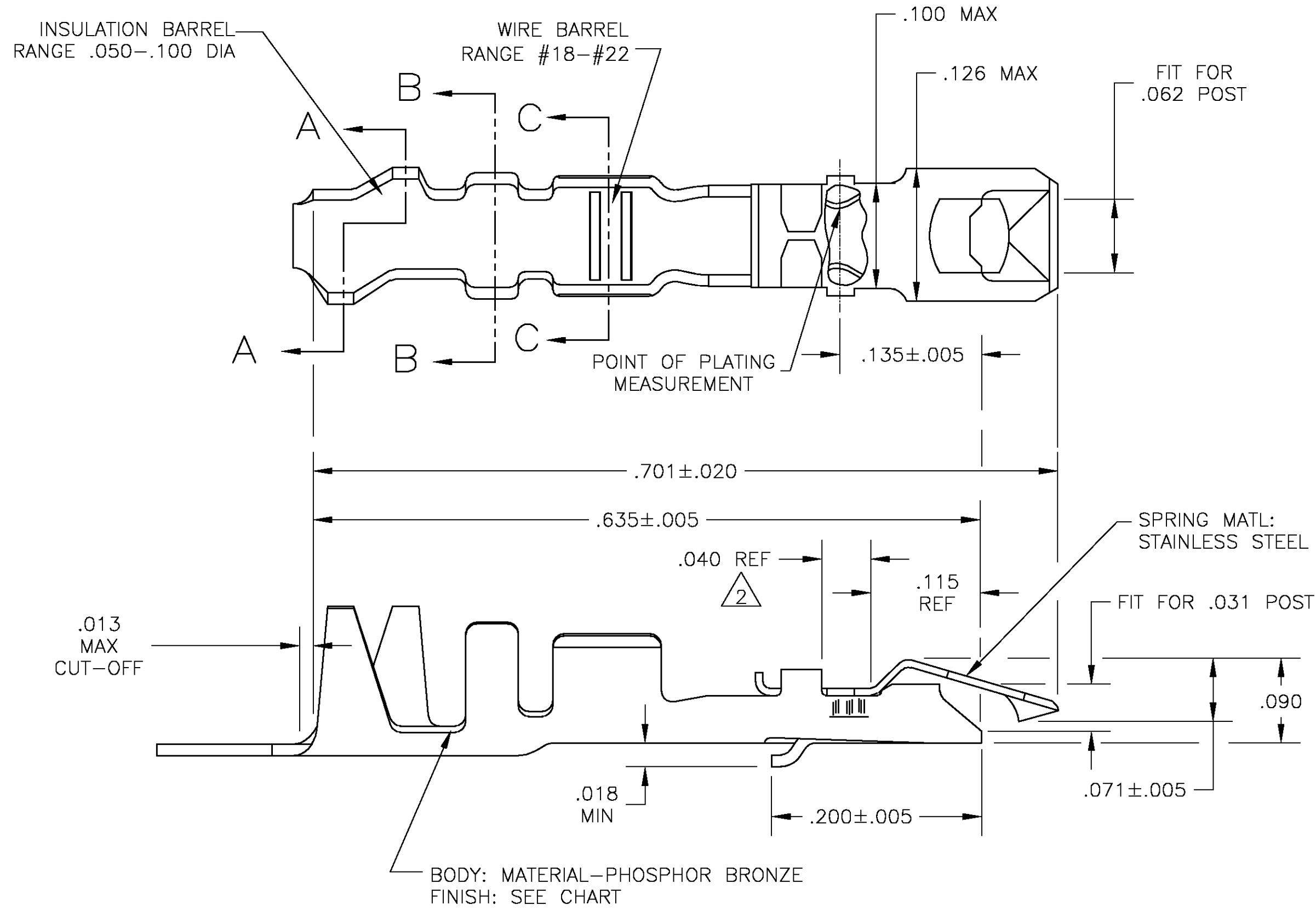


THIS DRAWING IS UNPUBLISHED. RELEASED FOR PUBLICATION
 © COPYRIGHT BY TYCO ELECTRONICS CORPORATION. ALL RIGHTS RESERVED.

LOC		DIST		REVISIONS			
P	LTR	DESCRIPTION		DATE	DWN	APVD	
J	EC	0G3C	0221	05	02APR05	BSV/DLS	



- 1 PLATED WITH .000100 TIN LEAD OVER .000050 NICKEL-ENTIRE CONTACT.
- 2 PLATED WITH .000015 GOLD IN CONTACT AREA, GOLD FLASH ON REMAINDER, OVER .000050 NICKEL.
- 3 .000100-.00200 BRIGHT TIN OVER .000050 NICKEL, ENTIRE CONTACT.

SUPERSEDED BY 5-87278-1

3	5-87278-1	5-87269-1
3	87278-3	87269-3
2	87278-2	87269-2
1	87278-1	87269-1
BODY FINISH	PART NO. (LOOSE PIECE)	PART NO. (STRIP)

THIS DRAWING IS A CONTROLLED DOCUMENT.		DWN	11-19-73	tyco Electronics	Tyco Electronics Corporation Harrisburg, Pa 17105-3608	
DIMENSIONS: INCHES		CHK	2-19-74		NAME	
TOLERANCES UNLESS OTHERWISE SPECIFIED:		APVD	2-19-74	PRODUCT SPEC		
0 PLC ± -				APPLICATION SPEC		
1 PLC ± -				SIZE		
2 PLC ± -				CAGE CODE		
3 PLC ± -				DRAWING NO		
4 PLC ± -				RESTRICTED TO		
ANGLES ± -				A2 00779 C=87278		
FINISH				SCALE 10:1 SHEET 1 OF 1 REV J		
AS NOTED		SEE CHART		CUSTOMER DRAWING		