

Features

- Reliable and cost-effective
- Design per EN 837-1
- Dial Size 40 mm
- IP41
- Suitable for Liquid, Gas
- Back Entry
- Range 0-10 Bar
- Dual Scale Bar / PSI
- Black plastic case
- R 1/8 Connection
- Copper Alloy socket & bourdon tube

RS PRO pressure gauges

RS Stock No.: 722788

Calibrated Versions: 1926040, 1926041



RS PRO is the own brand of RS. The RS PRO Seal of Approval is your assurance of professional quality, a guarantee that every part is rigorously tested, inspected, and audited against demanding standards. Making RS PRO the Smart Choice for our customers.

Product Description

Applications:

- For gaseous and liquid media that are not highly viscous or crystallising and will not attack copper alloy parts
- Pneumatics
- Heating and air-conditioning technology
- Medical engineering

General Specifications

Mounting Type	Back Entry
Display type	Analogue
Case Material	Black Plastic
Socket material	Copper Alloy
Bourdon tube material	Copper Alloy
Window Material	Plastic, Clear
Ring Material	Snap-fitted in case
Protection Degree	IP41

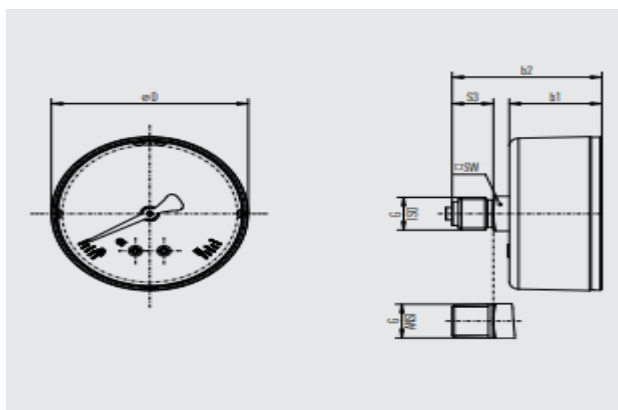
Mechanical Specifications

Pressure Range	0-10 Bar
Working Pressure	Steady $\frac{3}{4}$ x full scale value, Fluctuating $\frac{2}{3}$ x full scale value, Short time Full scale value
Maximum Pressure Measurement	10 Bar
Minimum Pressure Measurement	0 Bar
Connection Size	R 1/8
Gauge Outside Diameter	40 mm
Over pressure limit (15 min max)	Standard
Accuracy Class	$\pm 2.5\%$ as per EN 837-1
Minimum Operating Temperature	-40°C
Maximum Operating Temperature	+60°C
Calibrated	Stock Numbers: 1926040, 1926041

Approvals

Declarations	EU declaration of conformity Pressure equipment directive PS > 200 bar, module A, pressure accessory
Standards Met	EN 837-1

Technical Specifications and Drawings



Dimensions in mm [in]

h ±1 [0.04]	S3	a	b ±0.5 [0.02]	D	SW
40 [1 ½"]	26.4 [1.53]	44.0 [1.73]	12.0 [0.47]	39.0 [1.53]	14 [0.55]

NS Weight in kg [lb]

40 [1 ½"]	0.06 [0.13]
-----------	-------------