



# Datasheet

## RS PRO 1mtr USB 3.1 Type C Male to USB 3.0 Type A Male Cable

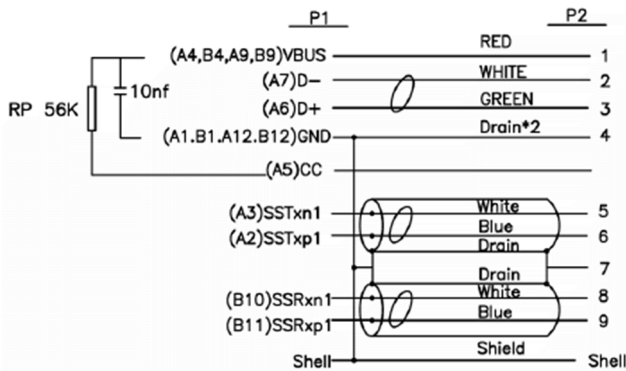
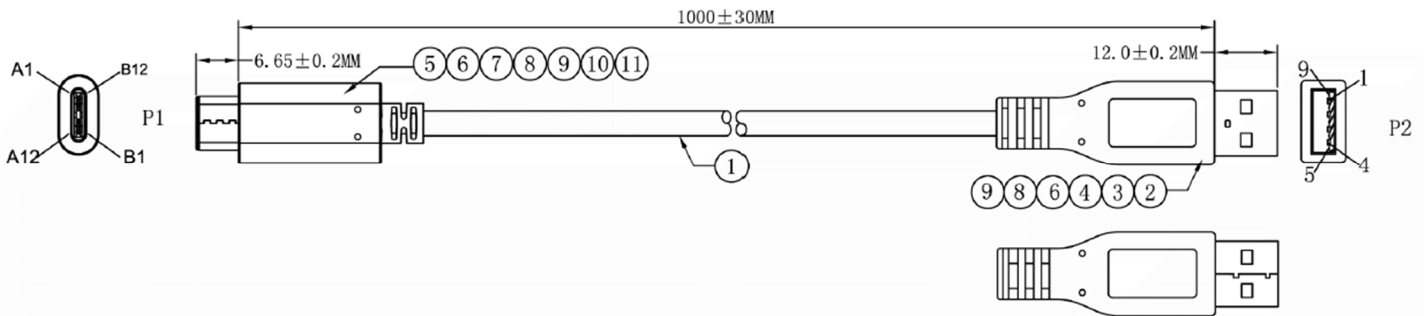
Stock number: 182-8847

EN

The RS PRO 1 metre USB version 3.1 type C male to USB version 3.0 type A male cable has a black PVC jacket and connector hoods. The cable flex has copper wire conductors and drain wire, with an aluminium braid, foil shielding and has an outer diameter of 4.5mm.

The connectors are nickel and have a strain relief to help avoid the cable splitting around the edge of the boot.

USB 3.1 supports 20 volt, 3 amp power delivery, this cable has a 56KΩ resistor to prevent too much power getting to a USB 3.0 device.



9	USB TYPE C~UP Tinplat Nickel Plated~
8	USB TYPE C~Below Tinplate Nickel Plated~
7	Inside Molding:Low pressure material
6	USB 3.1 C Type Connector Nickel Plated Shell With PCBA(Resistance:56KΩ)
5	Outside Molding 45P PVC Color:Black
4	USB 3.0 A(M) Rear Shell Nickel plated
3	USB 3.0 A(M) Front Shell Nickel plated
2	USB 3.0 A(M) 9P /Insulation:BULE,PIN. Gold Plated 3U"
1	USB3.1-[30AWG+EAM]*2P+[30AWG+A]*1P+24AWG*1C+A2EB(16/8/0.10TC 85%TC)OD:4.5MM-Black-NO-MARKING

RoHS / REACH / CE