



(5,00mm) .197"

MPS SERIES



MPS-02-7.70-01-L-V



MPS-06-7.70-01-L-V

25A DUAL LEAF SOCKET

SPECIFICATIONS

For complete specifications see www.samtec.com?MPS

Insulator Material: Black LCP

Terminal Material: Copper Alloy

Plating: Sn or Au over 50µ" (1,27µm) Ni

Operating Temp Range: -55°C to +105°C with Tin; -55°C to +125°C with Gold

Voltage Rating: 600 VAC/848 VDC

RoHS Compliant: Yes

Lead-Free Solderable: Yes

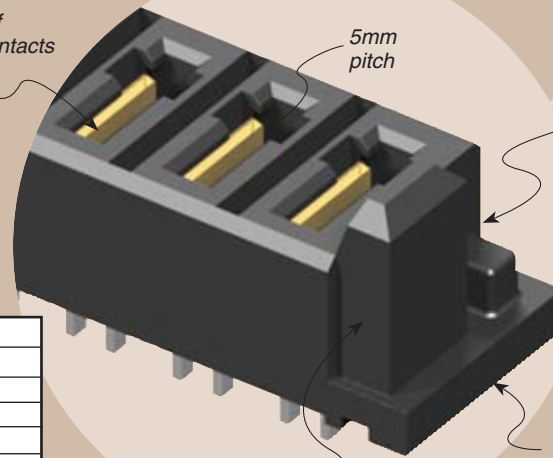
Lead-Free Solderable: Yes

Mates with: MPT

Dual leaf blade contacts

5mm pitch

14mm Stack height



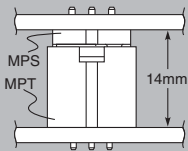
Polarized Guide Posts

Mate available for perpendicular board mating

AMBIENT TEMP	CURRENT RATING	
	MPT-V/MPS-V	
	2 PINS	4 PINS
20°C	41.7A	37.6A
40°C	36.5A	33A
60°C	30.3A	27.3A
75°C	24.7A	22.3A

-T PLATING

MATED HEIGHT



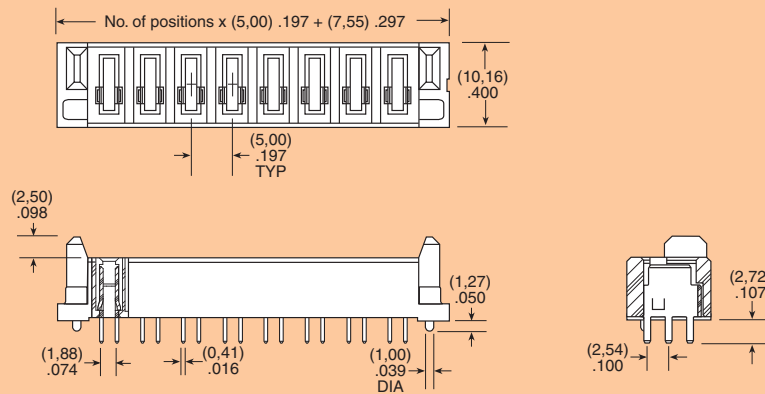
ALSO AVAILABLE

- Power/Signal combination Sockets. See MPSC Series.
- High Power Sockets. See PES Series. Call Samtec.

APPLICATION SPECIFIC OPTION

- Locking Clip (Manual placement required).
- Solder leads for (2,36mm) .093" thick board. Call Samtec.

MPS	POWER PINS	LEAD STYLE	TAIL LENGTH	PLATING OPTION	V
-02, -04, -06, -08	-7.70 = (7,70mm) .303"	-01 = Use with (1,60mm) .062" Thick PCB	-L = 10µ" (0,25µm) Gold on contact, Matte Tin on tail -T = Matte Tin		



Note: Some sizes, styles and options are non-standard, non-returnable.

Due to technical progress, all designs, specifications and components are subject to change without notice.

WWW.SAMTEC.COM