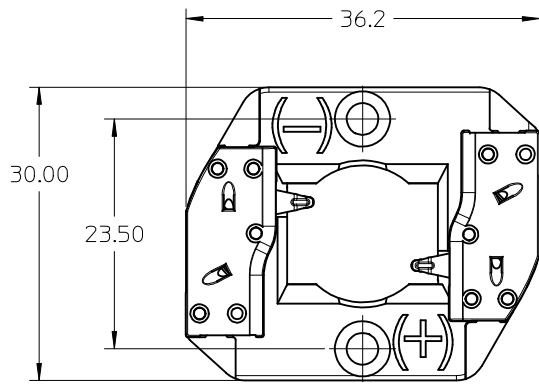
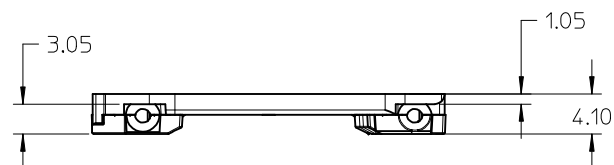
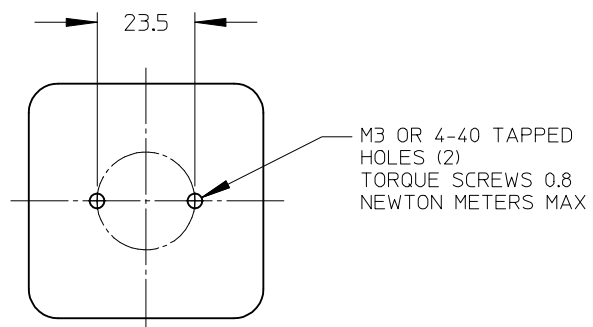


10 9 8 7 6 5 4 3 2 1



- 1) MATERIALS:
 - a. CAPS: NATURAL COLOR PA66 NYLON 25% GF UL94V-0
 - b. HOUSING: NATURAL COLOR PA66 NYLON 25% GF UL94V-0
 - 2) WIRE TRAP TERMINALS: COPPER ALLOY
 - a. FINISH: GOLD OVER NICKEL
 - 3) THIS PRODUCT IS ELV AND ROHS COMPLIANT
 - 4) APPLICABLE WIRE GAUGE - 18 OR 20 AWG
 - a. SOLID WIRE IS RECOMMENDED
 - b. IF STRANDED WIRE IS USED, PRE-TINNED IS RECOMMENDED
 - c. 1 cm STRIP LENGTH IS RECOMMENDED
 - 5) MOUNT HOLDER USING M3 OR 4-40 SCREWS (2), 0.8 NEWTON METERS MAX TORQUE
 - 6) UL RECOGNITION TO UL496 - PENDING
 - c-UL RECOGNITION TO CSA-C22.2 NO. 43 (2008) - PENDING
- UL FILE NUMBER: PENDING



RECOMMENDED MOUNTING DIMENSIONS (NTS)

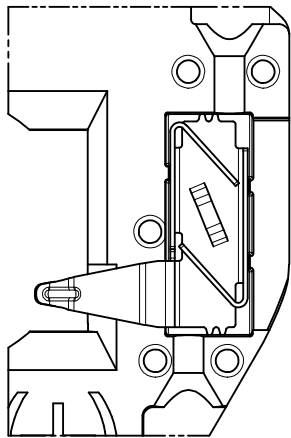
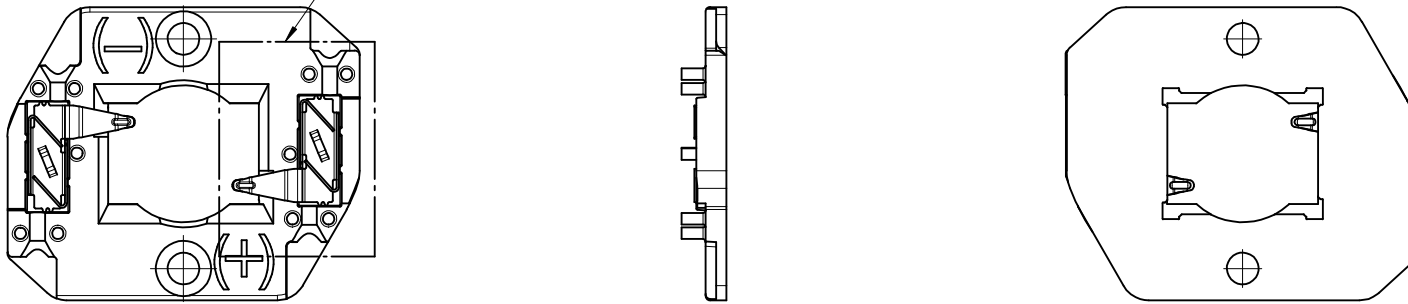
ENTER DESCRIPTION EC NO: SSL2013-0018 DRW: CARRANZA 2012/08/22 CHKD: APPR: DMCGOWAN 2012/08/23 REV B	QUALITY SYMBOLS	GENERAL TOLERANCES (UNLESS SPECIFIED)	DIMENSION STYLE	SCALE	DESIGN UNITS	THIRD ANGLE PROJECTION
	$\nabla F=0$ $\nabla F=0$ $\nabla F=0$	mm	MM ONLY	2:1	METRIC	SHARP MINI ZENIGATA MOLEX INCORPORATED DOCUMENT NO. SD-180390-002 SHEET NO. 1 OF 2
		INCH	DRAWN BY DATE	TITLE		
		4 PLACES ± --- ± --- 3 PLACES ± --- ± --- 2 PLACES ± 0.13 ± --- 1 PLACE ± 0.25 ± --- ANGULAR ± 1/2°	MDEVITO 2012/02/03 CHECKED BY DATE APPROVED BY DATE DMCGOWAN 2012/02/07 MATERIAL NO. 1803900002			
	DRAFT WHERE APPLICABLE MUST REMAIN WITHIN DIMENSIONS		SIZE B	THIS DRAWING CONTAINS INFORMATION THAT IS PROPRIETARY TO MOLEX INCORPORATED AND SHOULD NOT BE USED WITHOUT WRITTEN PERMISSION		

9 8 7 6 5 4 3 2 1

10 9 8 7 6 5 4 3 2 1

NOTE: WIRE TRAP CAPS ARE REMOVED FOR CLARITY

SEE DETAIL A



VIEW OF TWO-WAY WIRE TRAP

WIRE TRAPS CAN ACCOMMODATE
18 OR 20 GAUGE WIRE

DETAIL A
Scale 4:1

ENTER DESCRIPTION EC NO: SSL2013-0018 DRAWN: CARRANZA 2012/08/22 CHKD: APPR: DMCGOWAN 2012/08/23 REV B	QUALITY SYMBOLS $\nabla = 0$ $\nabla = 0$ $\nabla = 0$	GENERAL TOLERANCES (UNLESS SPECIFIED)		DIMENSION STYLE MM ONLY		SCALE 2:1	DESIGN UNITS METRIC	THIRD ANGLE PROJECTION	
		4 PLACES ± --- ± --- 3 PLACES ± --- ± --- 2 PLACES ± 0.13 ± --- 1 PLACE ± 0.25 ± ---	mm INCH	DRAWN BY MDEVITO	DATE 2012/02/03	TITLE SHARP MINI ZENIGATA			
		ANGULAR ± 1/2°		CHECKED BY DATE	APPROVED BY DMCGOWAN 2012/02/07				
		DRAFT WHERE APPLICABLE MUST REMAIN WITHIN DIMENSIONS	MATERIAL NO. 1803900002	DOCUMENT NO. SD-180390-002	Molex MOLEX INCORPORATED		SHEET NO. 2 OF 2		

9 8 7 6 5 4 3 2 1