



# CoreLine Panel – the clear choice for LED

## CoreLine Panel

Whether for a new building or renovation of an existing space, customers want lighting solutions that provide quality of light and substantial energy and maintenance savings. The new CoreLine Panel range of LED products can be used to replace functional luminaires in general lighting applications. Both Non-Office Compliant (NOC) version and Office Compliant version (OC) are now available. The process of selecting, installing and maintaining is so easy – it's a simple switch.

### Benefits

- Enables a simple switch from basic conventional luminaires to LED luminaires
- Energy savings of up to 40% compared to functional TL-D luminaires
- Uniform surface of light

### Features

- Integrated LED technology
- Slim square housing
- Choice of two color temperatures: 3000 and 4000 K
- Non-Office Compliant (NOC) version and Office Compliant version (OC) available

### Application

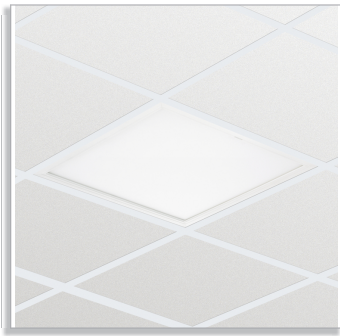
- Offices
- Retail
- Healthcare

**PHILIPS**

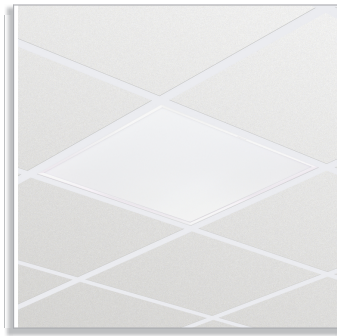
## Specifications

• Type	RC125B (module size 600 mm version) RC126B (module size 625 mm version)	• Driver failure rate	0.38% per 5,000 hours
• Ceiling type	Exposed T-bar ceiling	• Average ambient temperature	+25°C
• Ceiling grid	Module size in length: 600 mm Module size in length: 625 mm	• Operating temperature range	+10 to +40°C
• Light source	Non-replaceable LED module	• Driver	Built-in
• Power (+/-10%)	Standard version: 41 W NOC version: 42 W	• Mains voltage	230 or 240 V/50-60 Hz
• Beam angle	Standard version: 110° NOC version: 120°	• Material	Housing: zinc-coated steel Rim and diffuser: plastic (aluminium rim for NOC versions) Optical cover: PMMA
• Luminous flux	3,400 lm	• Colour	White
• Correlated Colour Temperature	3,000 K 4,000 K	• Connection	Push-in connector (PI) or with pull relief (PIP)
• colour rendering index	> 80	• Maintenance	Optical module sealed for life; no internal cleaning required
• Median useful life L70B50	50,000 hours	• Installation	Individual; lay-in in exposed ceiling grids No through-wiring possible
• Median useful life L80B50	30,000 hours	• Remarks	Includes safety cable
• Median useful life L90B50	15,000 hours		
• Type	RC127V (module size 600 x 600 and 300 x 1200 mm versions) RC128V (module size 625 x 625 mm version)	• Driver failure rate	0.38% per 5,000 hours
• Ceiling type	Exposed T-bar ceiling	• Average ambient temperature	+25°C
• Ceiling grid	Module size in length: 600 mm Module size in length: 625 mm Module size in length: 1200 mm	• Operating temperature range	+10 to +40°C
• Light source	Non-replaceable LED module	• Driver	Separate
• Power	42 W	• Mains voltage	220-240 V/50-60 Hz
• Beam angle	120°	• Dimming	DALI
• Luminous flux	3,400 lm	• Material	Housing: steel Rim: aluminium Diffuser: polystyrene
• Correlated Colour Temperature	3,000 K 4,000 K	• Colour	White (RAL 9016)
• colour rendering index	> 80	• Connection	Push-in connector (PI) or with pull relief (PIP)
• Median useful life L70B50	50,000 hours	• Maintenance	Optical module sealed for life; no internal cleaning required
• Median useful life L80B50	30,000 hours	• Installation	Individual; lay-in in exposed ceiling grids No through-wiring possible
• Median useful life L90B50	15,000 hours	• Remarks	Includes safety cable

Related products



CoreLine Panel RC125B recessed luminaire, module size 600



CoreLine Panel RC125B NOC recessed luminaire, module size 600

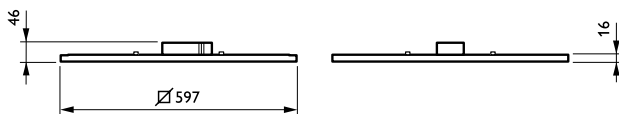
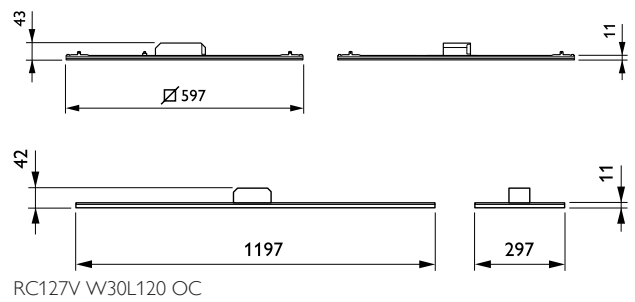
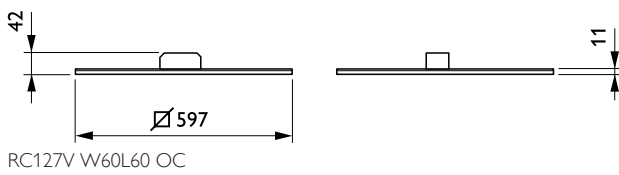


CoreLine panel OC RC127V recessed luminaire, square version (module size 600)

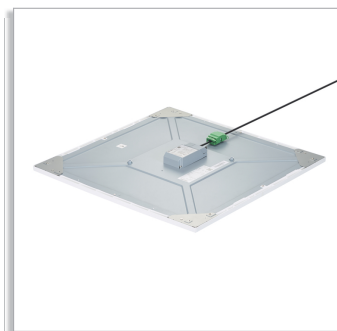


CoreLine panel OC RC127V recessed luminaire, rectangular version (module size 600)

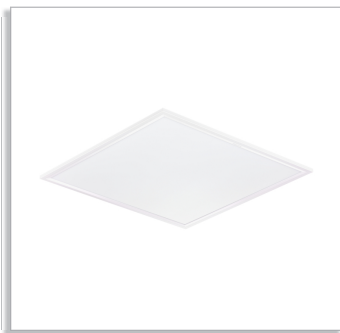
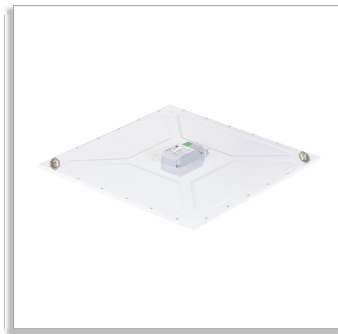
Dimensional drawing



Product details



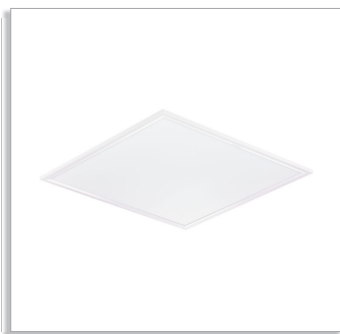
Product details



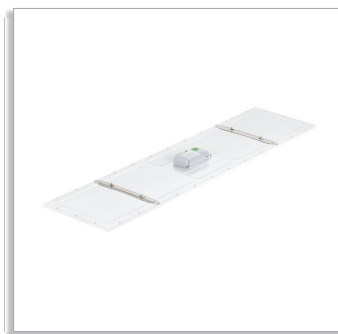
CoreLine Panel OC



CoreLine Panel OC



CoreLine Panel OC

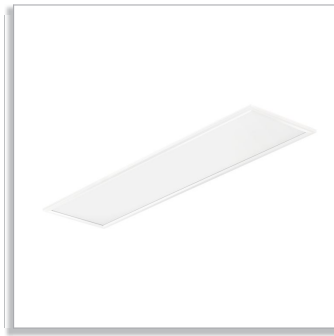


CoreLine Panel OC

## Product details



CoreLine Panel OC



CoreLine Panel OC



CoreLine Panel OC



CoreLine Panel OC

## General Information (1/2)

order code	CE mark	Protection class IEC	Driver included	ENEC mark	Flammability mark	Glow-wire test	Lamp family code	Light source replaceable	Product Family Code	Type description
06731400	CE mark	Safety class II (II)	Yes	-	F	-	LED34S	No	RC125B	No
06732100	CE mark	Safety class II (II)	Yes	-	F	-	LED34S	No	RC125B	No
07031400	CE mark	Safety class II (II)	Yes	-	F	-	LED34S	No	RC125B	NOC
07032100	CE mark	Safety class II (II)	Yes	-	F	-	LED34S	No	RC125B	NOC
07088800	CE mark	Safety class II (II)	Yes	ENEC mark	-	650/30	LED34S	No	RC127V	OC
07089500	CE mark	Safety class II (II)	Yes	ENEC mark	-	650/30	LED34S	No	RC127V	OC
07092500	CE mark	Safety class II (II)	Yes	ENEC mark	-	650/30	LED34S	No	RC127V	OC
07093200	CE mark	Safety class II (II)	Yes	ENEC mark	-	650/30	LED34S	No	RC127V	OC
07090100	CE mark	Safety class II (II)	Yes	ENEC mark	-	650/30	LED34S	No	RC127V	OC
07091800	CE mark	Safety class II (II)	Yes	ENEC mark	F	650/30	LED34S	No	RC127V	OC
07094900	CE mark	Safety class II (II)	Yes	ENEC mark	-	650/30	LED34S	No	RC127V	OC
07095600	CE mark	Safety class II (II)	Yes	ENEC mark	-	650/30	LED34S	No	RC127V	OC

## General Information (2/2)

order code	UL mark
06731400	No
06732100	No
07031400	No
07032100	No
07088800	No
07089500	No

order code	UL mark
07092500	No
07093200	No
07090100	No
07091800	No
07094900	No
07095600	No

## Initial Performance (IEC Compliant)

order code	Initial chromaticity	Init. Corr. Color Temperature	Init. Color Rendering Index	Initial LED luminaire efficacy	Initial luminous flux	Initial input power
06731400	(0.38, 0.38) SDCM ~LT~5	4000 K	~GT~80	83	3400	41
06732100	(0.44, 0.41) SDCM ~LT~5	3000 K	~GT~80	83	3400	41
07031400	(0.38, 0.38) SDCM ~LT~5	4000 K	~GT~80	83	3400	41
07032100	(0.44, 0.41) SDCM ~LT~5	3000 K	~GT~80	83	3400	41
07088800	(0.38, 0.38) SDCM ~LT~5	4000 K	~GT~80	80	3400	41
07089500	(0.44, 0.41) SDCM ~LT~5	3000 K	~GT~80	80	3400	41
07092500	(0.38, 0.38) SDCM ~LT~5	4000 K	~GT~80	80	3400	41
07093200	(0.44, 0.41) SDCM ~LT~5	3000 K	~GT~80	80	3400	41
07090100	(0.38, 0.38) SDCM ~LT~5	4000 K	~GT~80	80	3400	41
07091800	(0.44, 0.41) SDCM ~LT~5	3000 K	~GT~80	80	3400	41
07094900	(0.38, 0.38) SDCM ~LT~5	4000 K	~GT~80	80	3400	41
07095600	(0.44, 0.41) SDCM ~LT~5	3000 K	~GT~80	80	3400	41

## Operating and Electrical

order code	Input Voltage
06731400	220 to 240
06732100	220 to 240
07031400	220 to 240
07032100	220 to 240
07088800	220-240
07089500	220 to 240
07092500	220 to 240
07093200	220 to 240
07090100	220 to 240
07091800	220 to 240
07094900	220 to 240
07095600	220 to 240

## Mechanical and Housing

order code	Color	Geometry
06731400	White	W60L60
06732100	White	W60L60
07031400	White	W60L60
07032100	White	W60L60
07088800	White	W60L60
07089500	White	W60L60
07092500	White	W60L60
07093200	White	W60L60
07090100	White	W30L120
07091800	White	W30L120

order code	Color	Geometry
07094900	White	W30L120
07095600	White	W30L120

## Approval and Application

order code	Mech. impact protection code	Ingress protection code
06731400	IK02	IP20
06732100	IK02	IP20
07031400	IK02	IP20
07032100	IK02	IP20
07088800	IK02	IP20
07089500	IK02	IP20
07092500	IK02	IP20
07093200	IK02	IP20
07090100	IK02	IP20
07091800	IK02	IP20
07094900	IK02	IP20
07095600	IK02	IP20

## Accessories

order code	Description	
07098700	RC127Z SME-2 WH	Suspension set with electrical cable 2-pole - White
07099400	RC127Z SME-4 WH	Suspension set with electrical cable 4-pole - White



© 2016 Philips Lighting Holding B.V.  
All rights reserved.

Specifications are subject to change without notice. Trademarks are the property of Koninklijke Philips N.V. (Royal Philips) or their respective owners.

[www.philips.com/lighting](http://www.philips.com/lighting)

2016, June 22  
data subject to change