

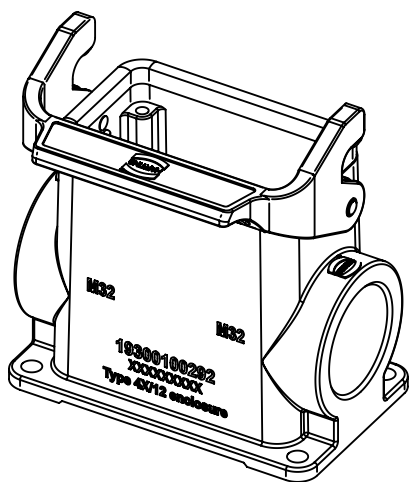
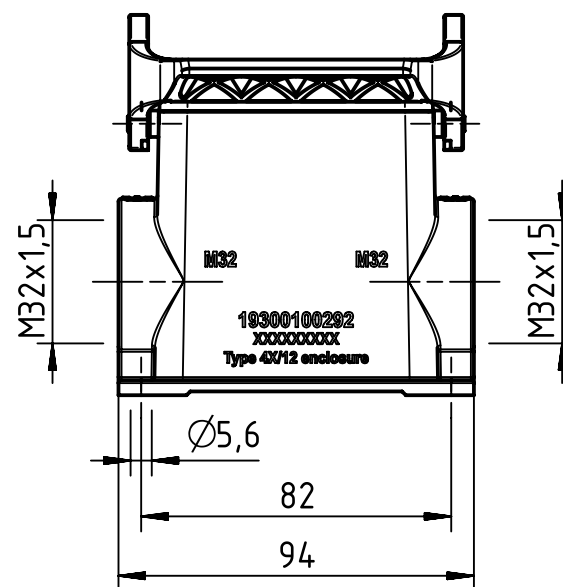
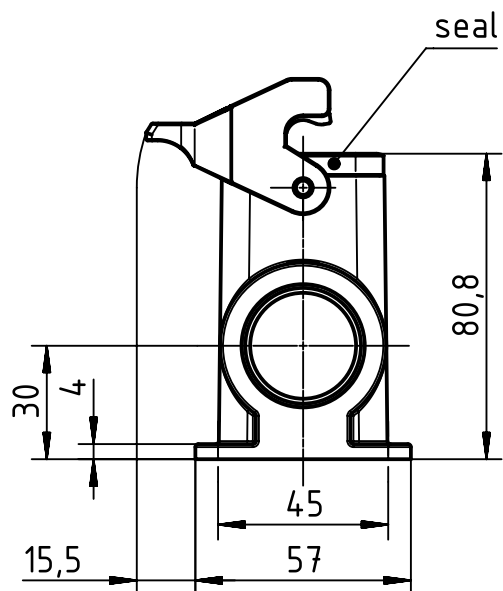
1 2 3 4 5 6

A

B

C

D



	All Dimensions in mm Original Size DIN A4		Scale 1:2	Free size tol.		Ref. Sub. TB 19 30 010 0292 v. 19.02.09	
		All rights reserved	Created by RULLKOETTER	Inspected by BERGHORN	Standardisation TIEMANNA	Date 2016-05-23	State Final Release
Department EL PD - DE		Title Han B Base Surface HC 1 Lever 2 x M32				Doc-Key / ECM-Nr. 100209249/UGD/004/B 500000101991	
HARTING Electric GmbH & Co. KG D-32339 Espelkamp		Type TB	Number 19 30 010 0292			Rev. B	Page 1/1