

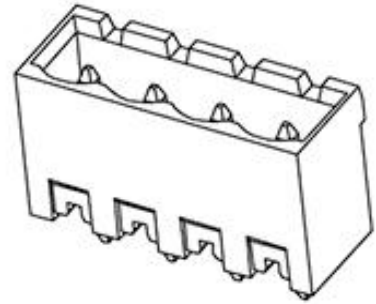
Part Number : [395316005](#)

Product Description : 5.08mm Pitch Eurostyle
Vertical PCB Header, Green Housing, 5 Circuits

Series Number : 39531

Status : Active

Product Category : Terminal Blocks and Barrier
Strip



Documents & Resources

Drawings

[395316005_sd.pdf](#)

3D Models and Design Files

[STEP AP242](#)

[SOLIDWORKS](#)


[Creo](#)

Specifications

[PS-39500-001-001.pdf](#)

Product Environment Compliance

Compliance

GADSL/IMDS	Not Relevant
China RoHS	 per SJ/T 11365-2006
EU ELV	Not Relevant
Low-Halogen Status	Low-Halogen per IEC 61249-2-21
REACH SVHC	Not Contained per D(2025)4165-DC (25 June 2025)
EU RoHS	Compliant per EU 2015/863

Compliance Statements

- EU RoHS
- REACH SVHC
- Low-Halogen

Industry Documents

- IPC 1752A Class C
- IPC 1752A Class D
- Molex Product Compliance Declaration
- IEC-62474
- chemSHERPA (xml)

Substances of Interest

- PFAS

EU RoHS Certificate of Compliance

Additional Product Compliance Information

Part Details

General

Status	Active
Category	Terminal Blocks and Barrier Strip
Series	39531
Description	5.08mm Pitch Eurostyle Vertical PCB Header, Green Housing, 5 Circuits
Application	Wire-to-Board
Component Type	PCB Header
Product Name	Eurostyle Pluggable
Type	PCB Terminal Blocks and Connectors
UPC	822350490580

Agency

UL	E48521
----	--------

Electrical

Current - Maximum per Contact	15.0A
Voltage - Maximum	300V

Physical

Circuits (Loaded)	5
Circuits (maximum)	5
Color - Resin	Green

Entry Angle	N/A
Lock to Mating Part	Yes
Material - Metal	Brass
Material - Plating Mating	Tin
Material - Resin	Polyamide
Net Weight	66.000/g
Number of Rows	1
Orientation	Vertical
Panel Mount	No
PCB Thickness - Recommended	3.18mm
PC Tail Length	3.30mm
Pitch - Mating Interface	5.08mm
Pitch - Termination Interface	5.08mm
Polarized to Mating Part	Yes
Shrouded	Closed Ends
Stackable	No
Temperature Range - Operating	-40° to +105°C
Termination Interface Style	Through Hole
Wire Size (AWG)	N/A

Solder Process Data

Lead-Free Process Capability	N/A
------------------------------	-----

Mates With / Use With

Mates with Part(s)

Description	Part Number
5.08mm Pitch Eurostyle Horizontal Plugs	<u>39530</u>
5.08mm Pitch Eurostyle Vertical Plugs	<u>39533</u>
Mates With	Most 5.08mm Pitch Industry Standard Plugs