

Datasheet

RS Stock No. 9146944

RS Pro Micro High Flow Centrifugal Pump

Overview : Micro, Low Pressure, High Flow, Liquid Pump Range

The M100 series range of pumps are constructed from precision CNC machined aluminium alloy with stainless steel tubing connectors. The M100 range is fitted with Viton seals as standard. Alternative seal materials and optional wetted part coatings and materials are also available enabling this pump range to resist most chemicals and solvents. The pump uses efficient push fit connectors designed for 2.4mm bore flexible tubing. A 220mm electrical fly-lead is fitted as standard.

Pump Variants



M100S - Standard pump suitable for most applications



M100P2 and P4 - Super efficient pumps for fixed 6V supply



M100S-180 - Standard pump for inline flow connection



M100S-SUB - Pump for submersion in pumping medium

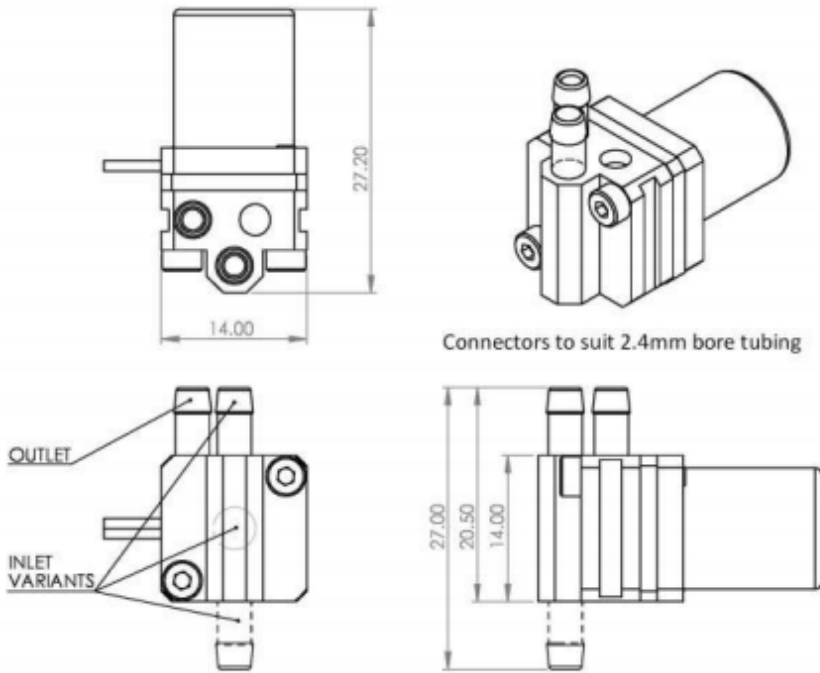
Typical Applications

- Medical devices
- Lubrication systems
- Fuel Cells
- Battery and Solar Powered Systems
- Cooling Systems
- Low Pressure Fuel Pump

Features

- CNC aluminum alloy construction
- Quiet pulseless smooth flow
- Small size only 28 x 14 x 14 mm
- Weight 10g
- Free flow up to 400ml per minute (water)
- Power by Solar supply, PSU or batteries
- Wide range of chemical resistance

Datasheet
RS Stock No. 9146944



Materials

Wetted Parts

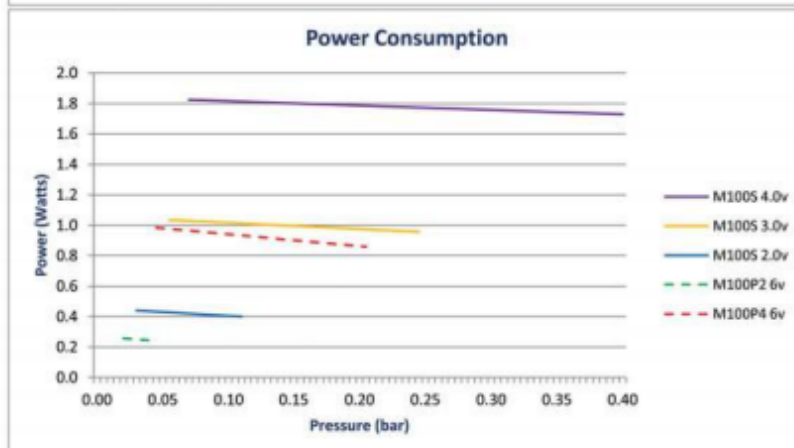
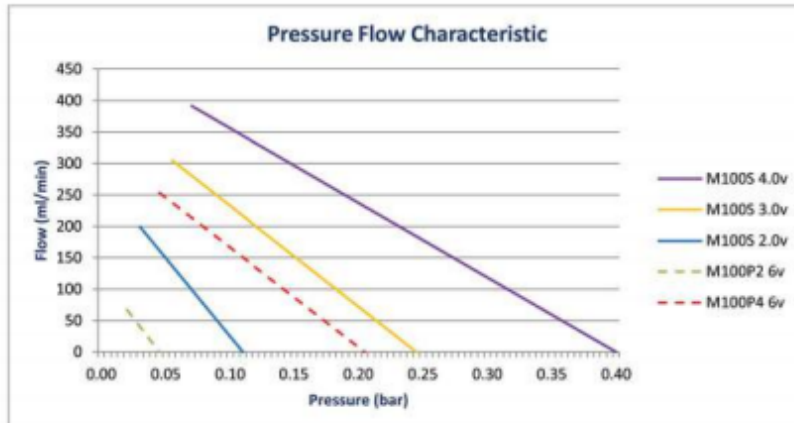
- Anodised 6000 Series Aluminum
- 316 Stainless Steel
- Viton or EPDM
- Polyacetal

Other

- Materials typical to 3 pole DC motor

Performance Data

- Small Size 14 x 14 x 28mm
- Weight 9 - 11 g
- Operating Temp -20 to 100 deg C
- Smooth Pulseless Flow
- IP Rating - Standard pumps IP45
Waterproof pumps IP67
- Noise Levels <1dB
Measured at a distance of 1m with a 50dB ambient noise level
- MTBF Stock Pumps 1,000hrs
Special variants available to order 10,000hrs



Variant	Input (v)	Power (W)	Flow (mLpm)	Pressure (mbar)
M100S	4	1.8	398	399
	3	1.1	309	246
	2	0.5	93	125

* M100P2	6	0.25	68	22
----------	---	------	----	----

M100 P4	6	0.98	257	48
---------	---	------	-----	----

* NOTE - The M100P2 is a VERY low flow pump