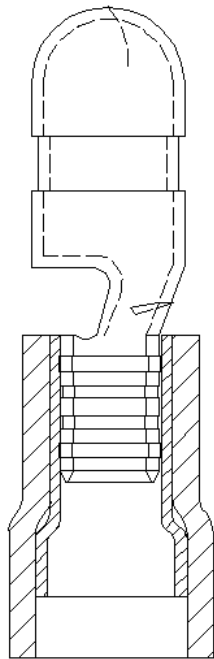
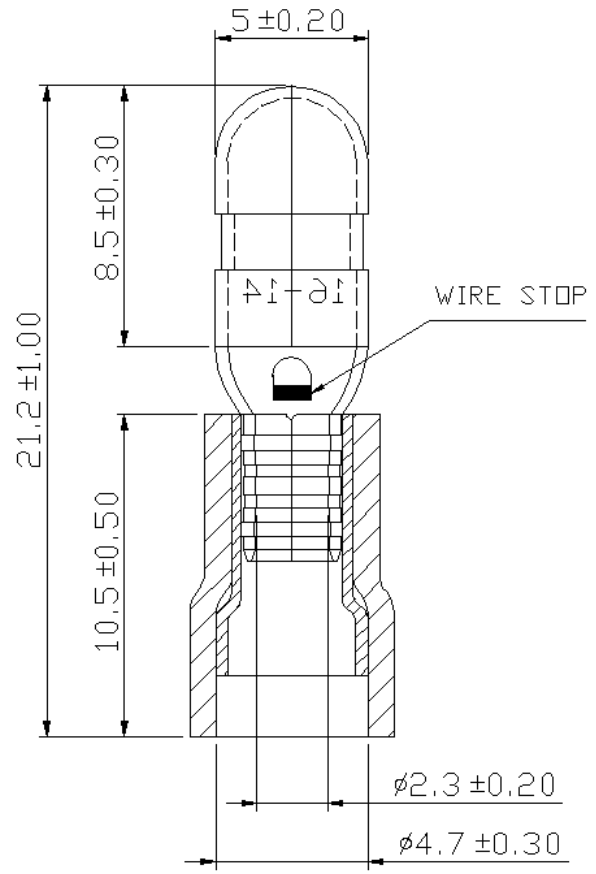
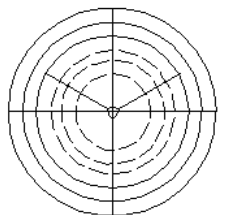


A B C D E F G H

REV	DESCRIPTION	DATE
-----	-------------	------



- NOTE:
1. MAXIMUM ELECTRIC CURRENT :

A.W.G.	16	14	
AMP.	10	15	
 2. MAXIMUM ELECTRICAL RATING : 75°C 600 VOLTS MAX.
 3. INSULATION MATERIAL : VINYL
 4. INSULATION COLOR : BLUE
 5. TERMINAL MATERIAL : BRASS
 6. WIRE RANGE : 16-14 A.W.G.(1.5-2.5 mm²)
 7. TERMINALS SURFACE TREATMENT : TIN PLATED
 8. DOUBLE CRIMP : WITH COPPER SLEEVE ON BARREL
 9. THICKNESS : 0.4 mm

Tolerance Unless Otherwise Specified	
0 > 6 mm ± 0.20	ANGLE
6 > 18 mm ± 0.30	° REF ±
18 > 30 mm ± 0.40	" ±
30 > 75 mm ± 0.50	" ±



NAME	VINYL-INSULATED DOUBLE CRIMP BULLET DISCONNECTORS			UNIT	mm	
PART NO.	MPD2-195@	MATERIAL	-----	APPROVE	张馨尹	
NUMBER	KA-95156-C	SCALE	SHEET	PAGE	CHECKED	林峰
DATE	2006/03/28	4/1	1-0	20F2	DRAWN	张馨尹

A B C D E F G H