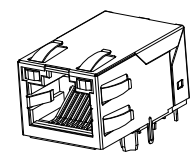
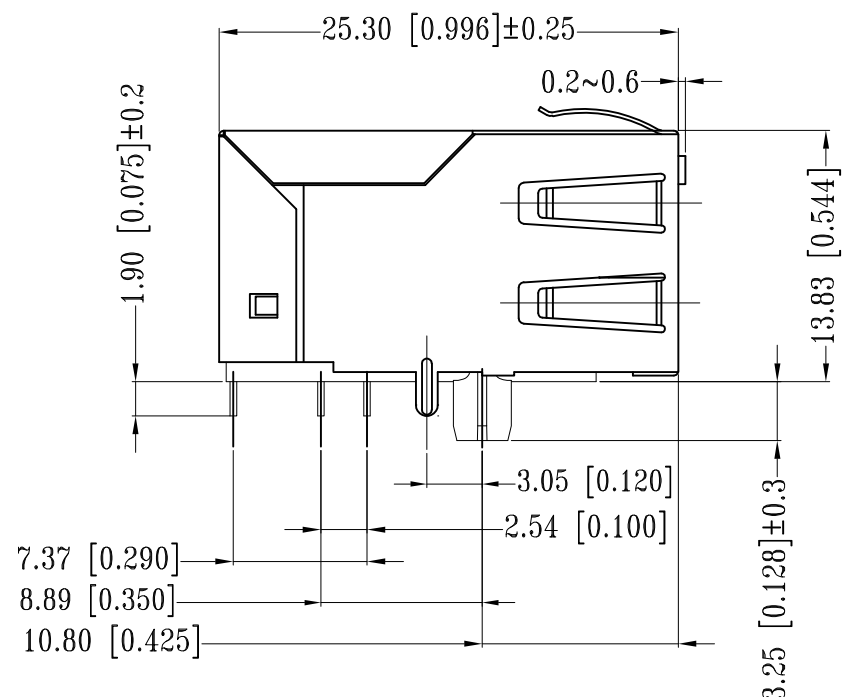
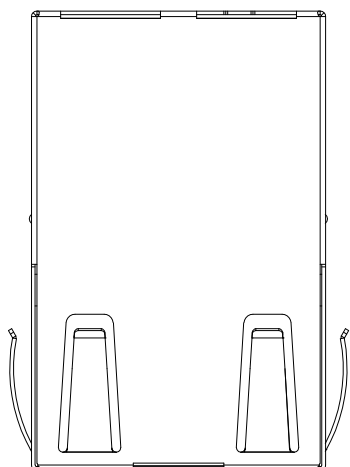
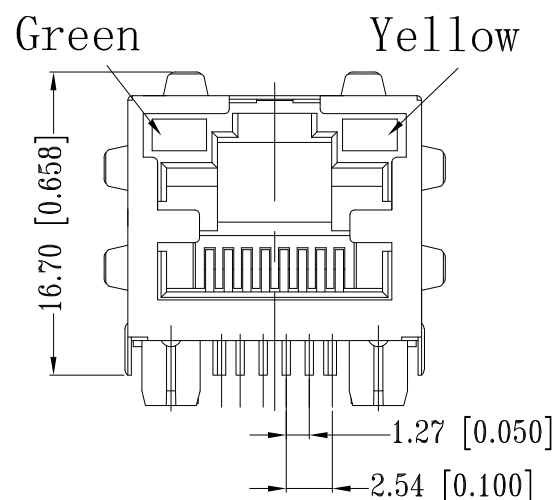
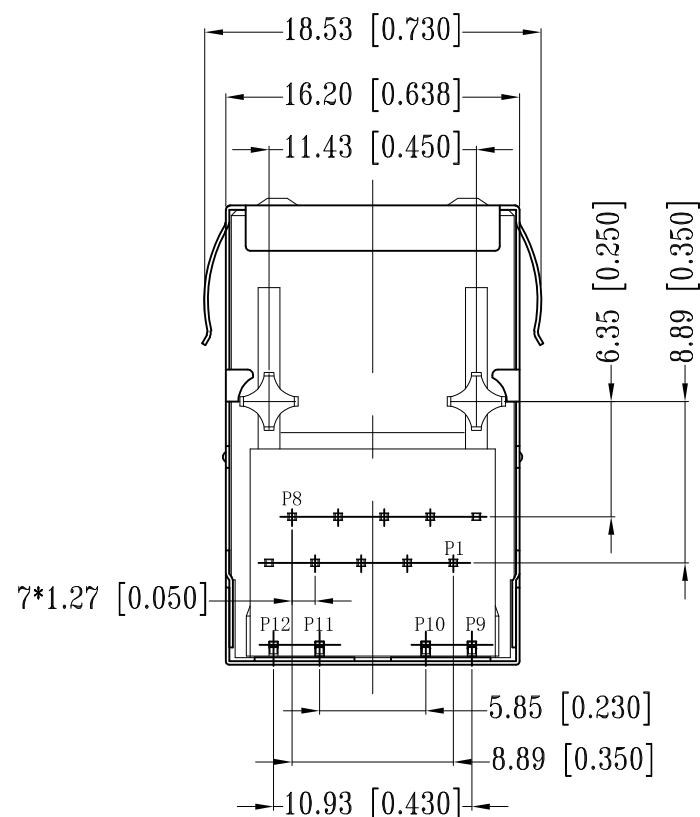


REVISIONS

P	LTR	DESCRIPTION	DATE	DWN	APVD
	B1	REV. PER PCN E-16-016950	06DEC2016	GCM	MSZ



1:1

- 1 CONNECTOR MATERIAL:
HOUSING: LCP BLACK UL94 V-0
INSERT: LCP BLACK UL94 V-0
SHIELD: BRASS
SHIELD PLATING: NICKEL
CONTACT: COPPER ALLOY
CONTACT PLATING: SELECTIVE GOLD, MIN. 0.76µm (30µinch) IN CONTACT AREA
OVER MIN. 1.27µm (50µinch) NICKEL
SOLDER PIN PLATING: 3.05µm (120µinch) TIN OVER 1.02µm (40µinch) NICKEL OVER ALL
SHIELDING PIN PLATING: NICKEL
- 2 PIN NOT ELECTRICALLY CONNECTED MAYBE OMITTED SEE ELECTRICAL CIRCUIT DIAGRAM FOR OMITTED PINS
- 3 RJ45 CAVITIES CONFORM TO FCC RULES AND REGULATION PART 68
- 4 THE PART IS RECOMMENDED FOR REFLOW SOLDERING PROCESS PEAK SOLDERING: TEMPERATURE MAX. +260° C, MAX. 10s
- 5 OPERATING TEMPERATURE: T= -40° C TO +85° C
- 6 STORAGE TEMPERATURE: T= -40° C TO +85° C
- 7 UNLESS OTHERWISE SPECIFIED, SEE TABLE FOR ALL DIMENSIONS TOLERANCES
- 8 JACK CONFIGURATION: 1 x 1
TAB DIRECTION: UP
- 9 PACKAGING: REEL (T+R) ACCORDING TO PACKAGING SPECIFICATION 107-18116

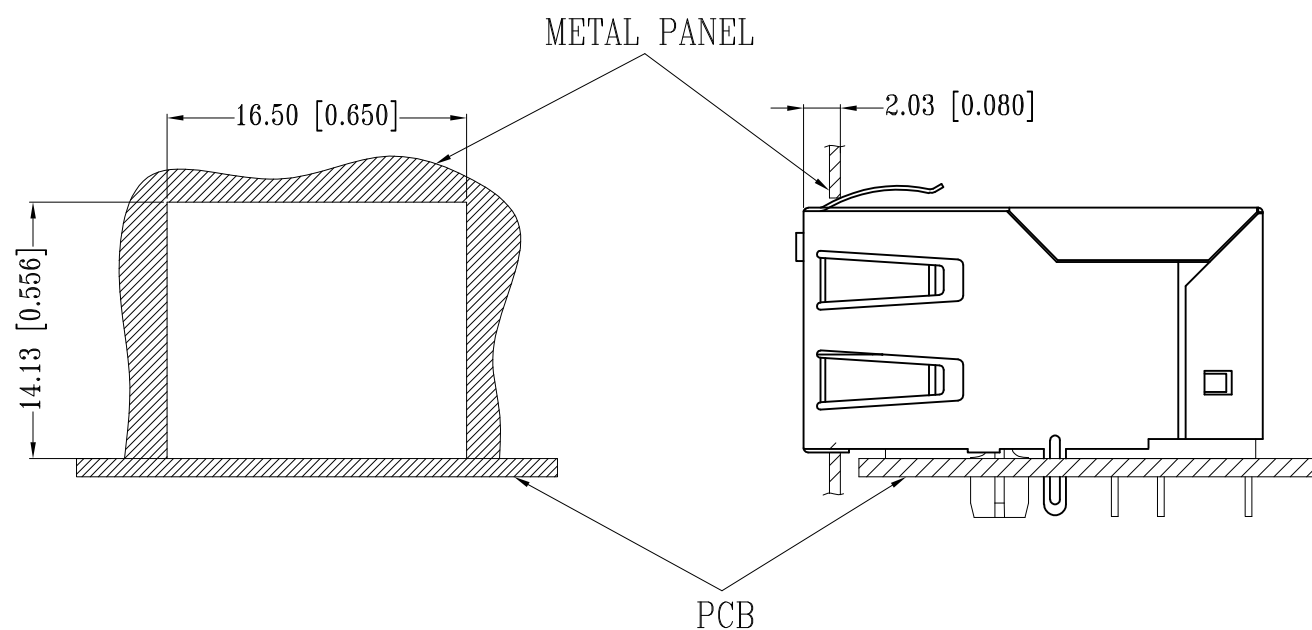
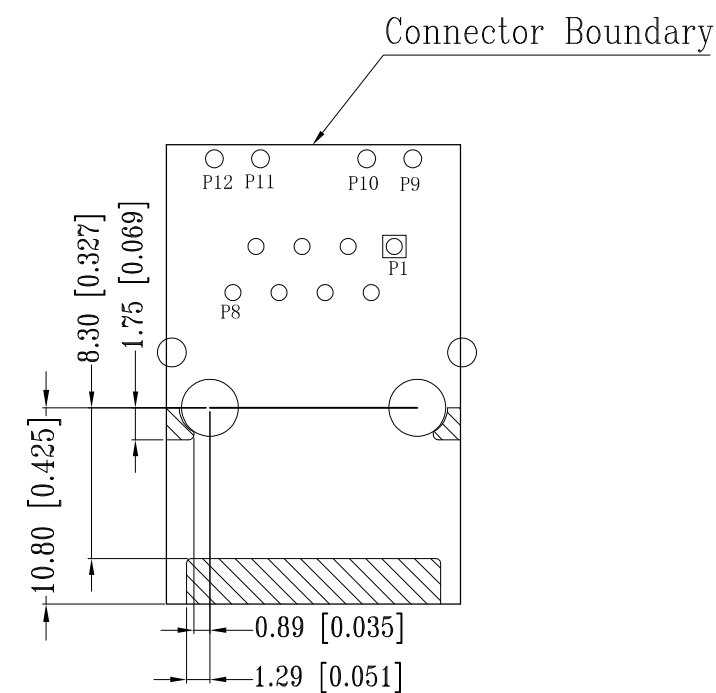
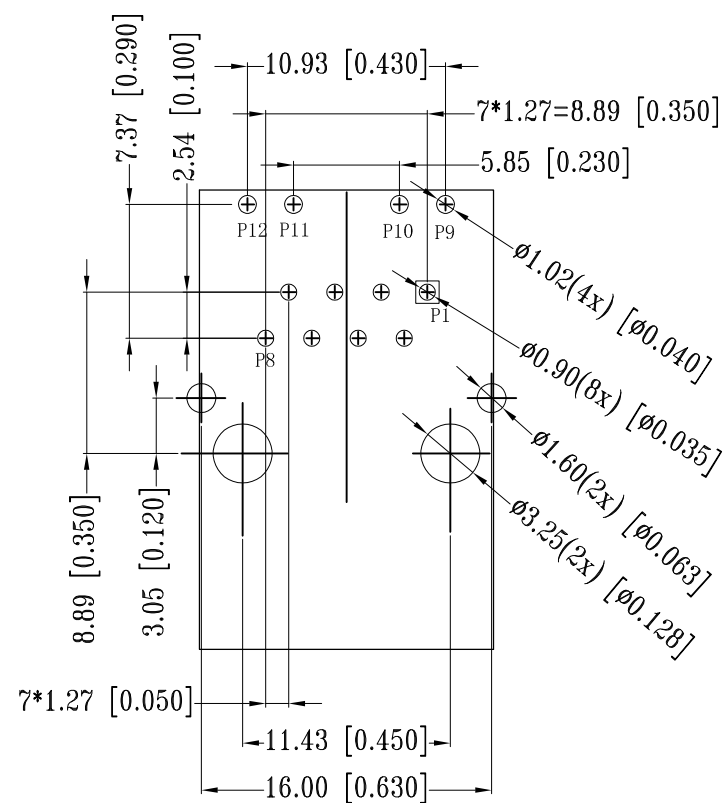
TABLE OF TOLERANCE (mm)	
RANGE	TOLERANCE
0-10	±0.15
>10-40	±0.25
>40-70	±0.30
>70	±0.40

THIS DRAWING IS A CONTROLLED DOCUMENT.		DWN 16AUG2016 GANESH C M	STE TE Connectivity	
DIMENSIONS: mm [INCHES]		CHK 16AUG2016 FRANZ MUELLER		
TOLERANCES UNLESS OTHERWISE SPECIFIED:		APVD 16AUG2016 MARTIN SZELAG	NAME RJ45 JACK INTEGRATED MAGNETICS 10/100 LED	
0 PLC ± -		PRODUCT SPEC 108-94552	-	
1 PLC ± -		APPLICATION SPEC 114-94447	-	
2 PLC ± -		WEIGHT	SIZE	CAGE CODE
3 PLC ± -		CUSTOMER DRAWING	A3	00779
4 PLC ± -			DRAWING NO	C-2301994-2
ANGLES ± -		SCALE 3:1 SHEET 1 OF 3 REV B1		
FINISH				

REVISIONS

P	LTR	DESCRIPTION	DATE	DWN	APVD
-	-	SEE SHEET 1	-	-	-

SUGGESTED PCB LAYOUT



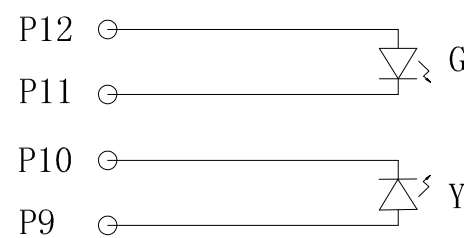
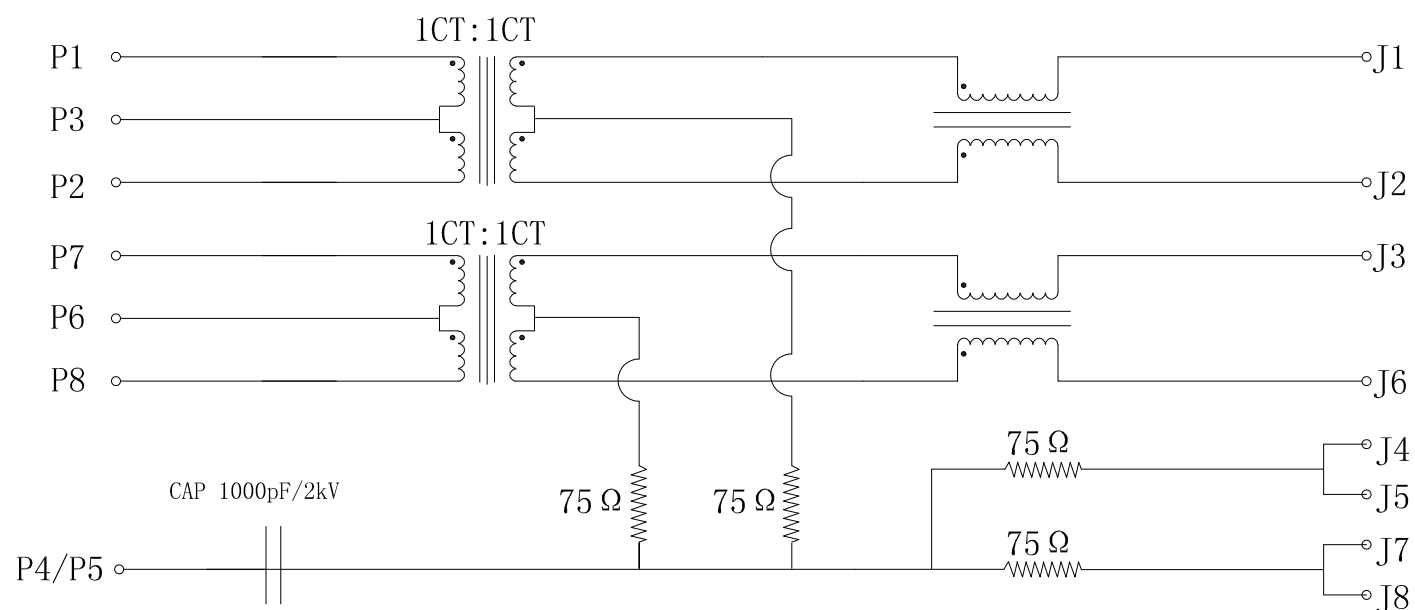
UNIT: mm / inch
TOLERANCES: ±0.10 / 0.004

THIS DRAWING IS A CONTROLLED DOCUMENT.		DWN	16AUG2016		TE Connectivity
		CHK	16AUG2016		
		APVD	16AUG2016		
		NAME	FRANZ MUELLER		
		PRODUCT SPEC	MARTIN SZELAG		
		APPLICATION SPEC	108-94552		
		WEIGHT	114-94447		
		SIZE	CAGE CODE	DRAWING NO	RESTRICTED TO
		A3	00779	C-2301994-2	-
		CUSTOMER DRAWING		SCALE	3:1
				SHEET	2 OF 3
				REV	B1

REVISIONS

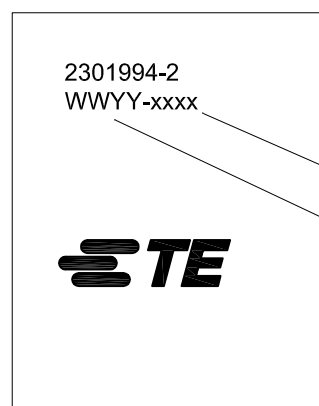
P	LTR	DESCRIPTION	DATE	DWN	APVD
-	-	SEE SHEET 1	-	-	-

ELECTRICAL CIRCUIT DIAGRAM



Pin	Yellow	Green
P9	+	-
P10	-	+

- 1.0 Turn Ratio @100kHz: (P1~P2):(J1~J2) = 1:1±2%
(P7~P8):(J3~J6) = 1:1±2%
- 2.0 Primary Inductance: 350µH MIN. @100kHz,0.1V 8mA DC BIAS
- 3.0 DC Resistance: 1.2 OHMS MAX.
- 4.0 Insertion Loss: 1-100MHz -1.2dB MAX.
- 5.0 Return Loss: 1-30MHz -16dB MIN.
30-60MHz -12dB MIN.
60-80MHz -10dB MIN.
- 6.0 CROSS TALK: 1-100MHz -30dB MIN.
- 7.0 COMMON TO COMMON MODE ATTENUATION: 1-100MHz -30dB MIN.
- 8.0 Isolation: PHY Side to Line Side: 1500VAC or 2250VDC



CONTROL CODE
DATE CODE
"0213"
YY-YEAR
WW-WEEK

FCC

THIS DRAWING IS A CONTROLLED DOCUMENT.		DWN GANESH C M 16AUG2016	TE Connectivity	
DIMENSIONS: mm [INCHES]		CHK FRANZ MUELLER 16AUG2016		
TOLERANCES UNLESS OTHERWISE SPECIFIED:		APVD MARTIN SZELAG 16AUG2016	NAME RJ45 JACK INTEGRATED MAGNETICS 10/100 LED	
0 PLC ± - 1 PLC ± - 2 PLC ± - 3 PLC ± - 4 PLC ± - ANGLES ± -		PRODUCT SPEC 108-94552	RESTRICTED TO	
MATERIAL 1		FINISH 1	APPLICATION SPEC 114-94447	SIZE A3
		WEIGHT		CAGE CODE 00779
		CUSTOMER DRAWING		DRAWING NO C-2301994-2
		SCALE 3:1		SHEET 3 OF 3
				REV B1