

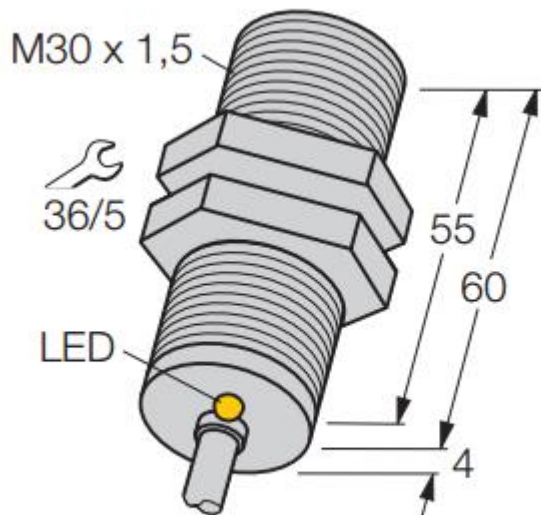
Datasheet

20 mm PNP Barrel Inductive Proximity Sensor, M30 x 1.5, 200 mA, 10 → 30 V dc, IP68

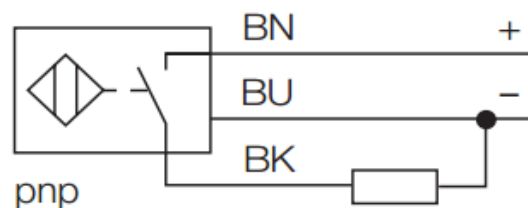
RS Stock number 208-308



Dimensions: (mm)



Wiring diagram



Features

- stainless steel, 1.4301
- factor 1 for all metals
- degree of protection IP68
- magnetic field immune
- extended temperature range
- high switching frequency
- 3-wire DC, 10...30 VDC
- normally open pnp output
- cable connection
- Threaded barrel, M30 x 1,5

Function principles

Inductive proximity switches are designed for wear-free non-contact detection of metal objects. Due to a ferrite-less 3-coil system, Uprox factor 1 sensor have distinct advantages. They detect all metals at the same switching distance, are magnetic field immune and feature large switching distances.

Ident-No.	1636300
Rated operating distance S_n	10 mm
Mounting mode	flush
Hysteresis (switching distance)	3... 15 %
Min. repeat accuracy	≤ 2 %
Temperature drift	$\leq \pm 10$ %
Operating temperature	$\leq \pm 15$ %, ≤ -25 °C v $\geq +70$ °C -30 ...+ 85 °C
Rated operational voltage (DC) U_B	10... 30 VDC
Max. ripple	≤ 10 % U_{pp}
Rated operational current (DC) I_e	≤ 200 mA
No-load current I_0	≤ 15 mA
Max. OFF-state current	$\leq 0,1$ mA
Max. switching frequency	≤ 2 kHz
Rated insulation voltage	$\leq 0,5$ kV
Output function	3-wire, normally open, PNP
Short-circuit protection	yes, cyclic
Max. voltage drop at I_e	$\leq 1,8$ V
Wire breakage / reverse polarity protection	yes / complete
Protection class	<input checked="" type="checkbox"/>
Housing style	threaded barrel; M30 x 1,5
Dimensions	64 mm
Housing material	metal, A2 1.4301 (AISI 304)
Active face	plastic, PBT
Max. fixing torque of coupling nut	90 Nm
Wiring	cable
Cable	$\varnothing 5,2$, LifYY, PVC, 2 m
Cable cross section	3 x 0,34 mm ²
Vibration resistance	55 Hz (1 mm)
Shock resistance	30 x g (11 ms)
Degree of protection	IP68
Switching status indication	LED yellow